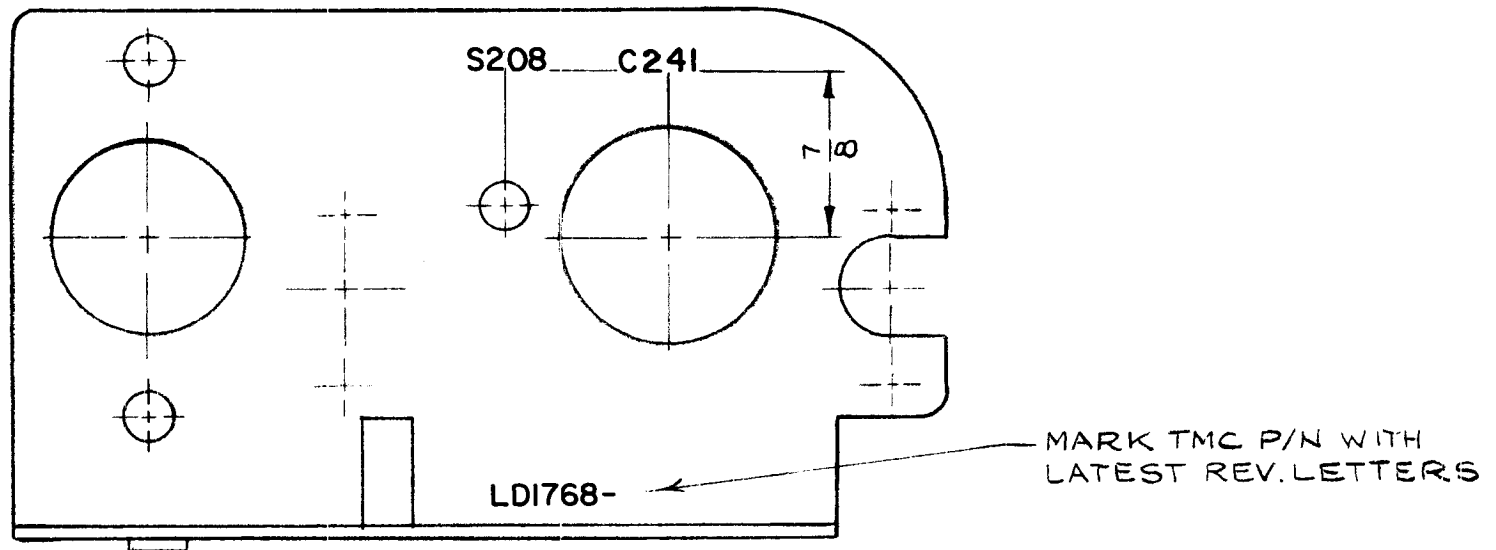


REQ. PER UNIT	USED ON			LD1768	φ
	MODEL	ASS'Y. NO.	DATE		
1	RFTA-1		1-21-65		

MARKING PROCESS: AS PER TMC SPECIFICATION S-727.

LETTERING: 1/8 HIGH BLACK GOTHIC, LOCATED AS SHOWN.



REF: MS 4319

Ø	ORIGINAL RELEASE FOR PRODUCTION	6.7.66	+	140		file	REQ. ITEM	PART NO.	F. BUDETTI	DESCRIPTION	SYMBOL	
X ₂	C241 WAS C230 S208 ADDED	4.21.65	X ₂	AB			STOCK SIZE		THE TECHNICAL MATERIEL CORP. MAMARONECK. NEW YORK			
X ₁	LETTERING ADDED	3.10.65	X ₁	AB			MATERIAL		MARKING BRKT, MOTOR SWITCH MTG.			
X	EXP. RELEASE	1-21-65	X	SRG			FINISH & SPEC. NO.		MARKING PROCESS: AS PER TMC SPEC. S727			
SYM	DESCRIPTION	DATE	CH. NO.	DRAFTS	CHECKER	ENG. APP.	TYPE & TEMPER	HEAT TREAT. SPEC.	DRAWN	CHECKED	FINAL APPROVAL	
UNLESS OTHERWISE SPECIFIED DIMENSIONS ARE IN INCHES AND INCLUDE CHEMICALLY APPLIED OR PLATED FINISHES		SCALE	1:1				— # — #		SRG	AB	D.B. [Signature]	
DECIMALS .X ± .05 .XX ± .01 .XXX ± .005	TOLERANCES	FRACTIONS ± 1/64 ANGLES ± 0° 30'	CODE A					— # —		[Signature]		LD1768
								ELEC. DES. APP.		MECH. DES. APP.		