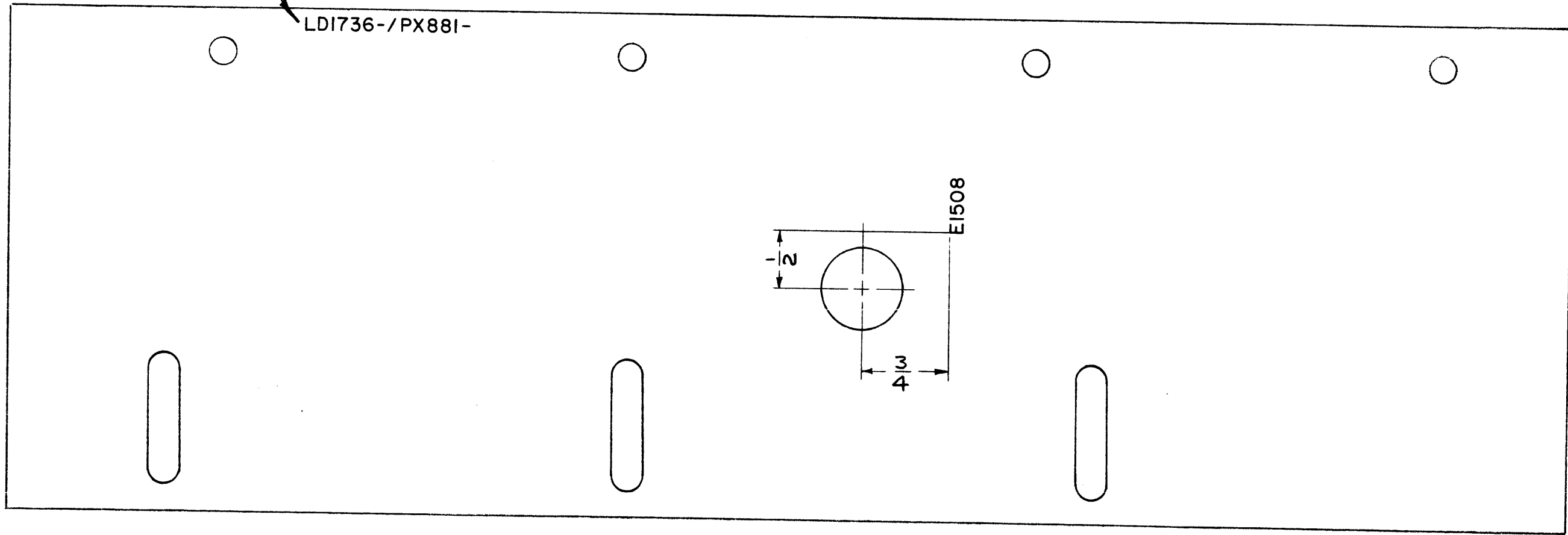


LD1736

REVISIONS

SYM	DESCRIPTION	DATE	E.M.N. NO.	DRAFT	CHKD	APPD
X	EXPERIMENTAL RELEASE	1.26.65	X	JSB		
Ø	ORIGINAL RELEASE FOR PRODUCTION	2.26.65	Ø	JS	HA	

MARK TMC P/N, WITH LATEST REVISION LETTERS



NOTE:

- MARKING PROCESS: AS PER TMC S-727
- LETTERING: 1/8 HIGH WHITE GOTHIC, LOCATED AS SHOWN

REF.: PX 881

1	HVRB-1	
1	HVRC-1	
Q'TY./UNIT	MODEL USED ON	ASS'Y. NO.
SCALE 1:1	CODE A	

REQ'D.	ITEM	PART NUMBER	DESCRIPTION	SYMBOL
<b>LIST OF MATERIAL</b>				
MATERIAL			THE TECHNICAL MATERIEL CORP. MAMARONECK, NEW YORK	
FINISH			TITLE MARKING BOARD, COMP. MTG. MARKING PROCESS: TMC-S727	
UNLESS OTHERWISE SPECIFIED DIMENSIONS ARE IN INCHES AND INCL 111DF CHEMICALLY APPLIED OR PLATED FINISHES			DRAWN JSB CHECKED JSB ELECT. DES JSB MECH. DES JSB	DATE 1.26.65 DATE 3/26/65 DATE DATE
DECIMALS .X ± .05 .XX ± .01 .XXX ± .005			TOLERANCES ± 1/64 ANGLES ± 0° 30'	FINAL APPROVAL DATE LD1736 SHEET REV. LTR. Ø

NOTES

THE CONTENTS OF THIS DRAWING ARE THE EXCLUSIVE PROPERTY OF THE TECHNICAL MATERIEL CORP. ITS UNAUTHORIZED USE OR REPRODUCTION IN WHOLE OR IN PART IS STRICTLY FORBIDDEN.