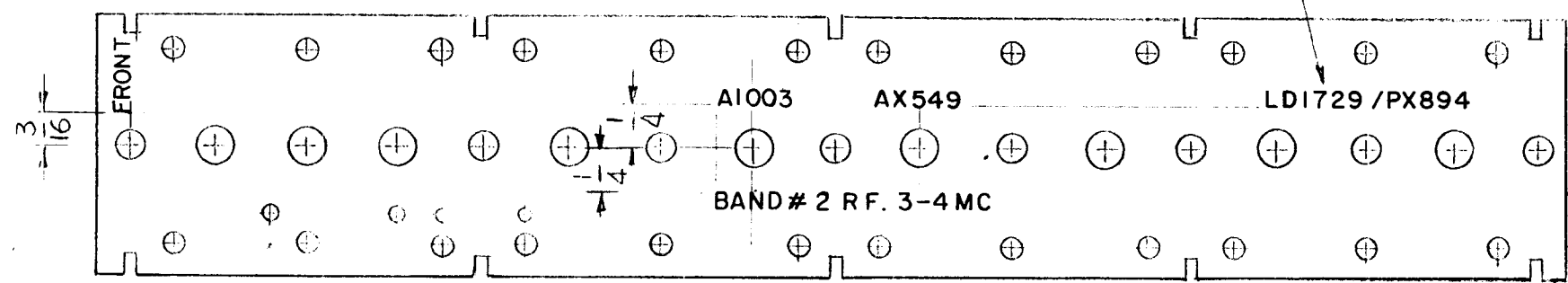


FIG. PART UNIT	UNID. CH		DATE
	MODEL	APPY. NO.	
1	CHG-3		1-13-64

LD1729 Ø

MARK TMC P/No. WITH LATEST REV. LETTER



FRONT AS SHOWN

MARKING PROCESS: AS PER TMC SPECIFICATION S-727.

LETTERING: 3/32 HIGH BLACK GOTHIC, LOCATED AS SHOWN.

REF. PX 894

Ø	ORIGINAL RELEASE FOR PRODUCTION	3-12-64					REQ. HED	PAGE NO.	DESCRIPTION	SYMBOL	
	X2 LETTERING TMC P/No	ADDEL 3-18-64	G.D.L.						THE TECHNICAL MATERIEL CORP. MAMARONECK, NEW YORK		
X	AX 549	2-11-64						STOCK SIZE	MARKING, RF. TERMINAL BOARD		
X	EXP. 1 BASE	1-13-64	G.D.L.						BAND # 2		
SYM	DESCRIPTION	DATE	CH. NO.	DRAWN	CHECKED	ENG. APP.	MATERIAL				
UNLESS OTHERWISE SPECIFIED DIMENSIONS ARE IN INCHES AND INCLUDE CHEMICALLY ENGRAVED OR ENGRAVED FINISHES		SCALE	1:1						G.D.L.	<i>[Signature]</i>	<i>[Signature]</i>
DECIMALS X ± .05 XX ± .01 XXX ± .005	FRACTIONS ± 1/64 ANGLES ± 0° 30'	CODE	A						DRAWN	CHECKED	FINAL APPROVAL
							TYPE & TEMP.	REAR SURFACE			
							FIG. H & SPEC. NO.				
							REC. DES. ATEN.				
											LD1729 Ø