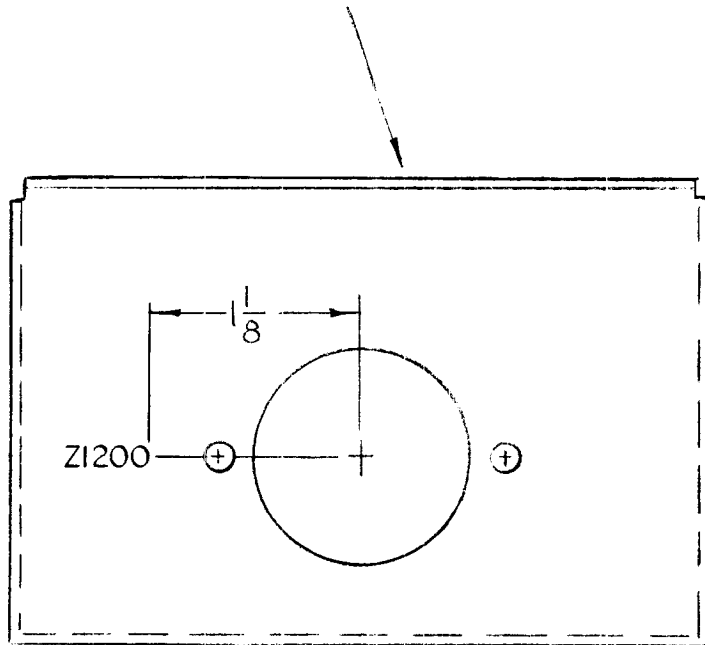


MARK TMC P/N (LD1693-)
 1/8" HIGH GOTHIC W/LATEST REV.
 LETTER. (ON LIP)

REQ. PER UNIT	USED ON			LD1693	Ø
	MODEL	ASS'Y. NO.	DATE		
1	GPT-10KLF		11-6-65		



MARKING PROCESS: AS PER TMC SPECIFICATION S-727.

LETTERING: 1/8 HIGH BLACK GOTHIC, LOCATED AS SHOWN.

REF. MS 4212-

							REQ. ITEM	PART NO.	F. BUDETTI DESCRIPTION			SYMBOL	
							STOCK SIZE		THE TECHNICAL MATERIEL CORP. MAMARONECK. NEW YORK				
							MATERIAL		MARKING, CHASSIS ALDC				
							TYPE & TEMPER		MARKING PROCESS: AS PER TMC SPEC S727				
UNLESS OTHERWISE SPECIFIED DIMENSIONS ARE IN INCHES AND INCLUDE CHEMICALLY APPLIED OR PLATED FINISHES							SCALE		DRAWN		CHECKED		FINAL APPROVAL
DECIMALS .X ± .05 .XX ± .01 .XXX ± .005							TOLERANCES		ELEC. DES. APP.		MECH. DES. APP.		LD1693
FRACTIONS ± 1/64 ANGLES ± 0° 30'							CODE A		ML				Ø