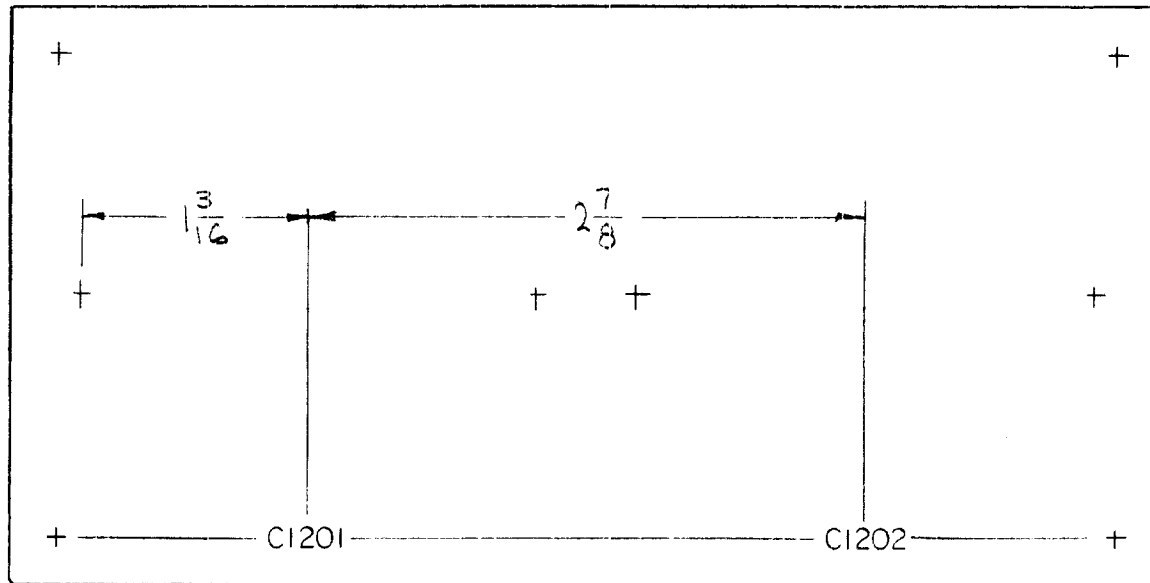


REQ. PER UNIT	USED ON		
	MODEL	ASS'Y. NO.	DATE
1	GPT-10KLF		11-3-65

LD1685 \emptyset



LD1685-

MARK TMC P/N
1/8 HIGH GOTHIC
W/LATEST REV.
LETTER

MARKING PROCESS: AS PER TMC SPECIFICATION S-727.

LETTERING: 1/8 HIGH WHITE GOTHIC, LOCATED AS SHOWN.

REF - PX 886

REQ. ITEM	PART NO.	F. BUDETTI DESCRIPTION					SYMBOL	
		THE TECHNICAL MATERIEL CORP. MAMARONECK, NEW YORK						
		MARKING, BOARD MTG. CAPACITORS						
		MARKING PROCESS AS PER TMC SPEC. S727						
		DATE	CH. NO.	DRAFTS	CHECKER	ENG. APP.		
\emptyset	ORIGINAL RELEASE	12/21/65	\emptyset			<i>[Signature]</i>		
XI	LETTERING WAS BLK GOTHIC	12/20/65	11	Jc		<i>[Signature]</i>		
SYM	DESCRIPTION	DATE	CH. NO.	DRAFTS	CHECKER	ENG. APP.		
UNLESS OTHERWISE SPECIFIED DIMENSIONS ARE IN INCHES AND INCLUDE CHEMICALLY APPLIED OR PLATED FINISHES		SCALE	1:1					
DECIMALS .X \pm .05 .XX \pm .01 .XXX \pm .005	TOLERANCES	FRACTIONS \pm 1/64 ANGLES \pm 0° 30'	CODE A					
FINISH & SPEC. NO.		ELEC. DES. APP.	MECH. DES. APP.		LD1685 \emptyset			