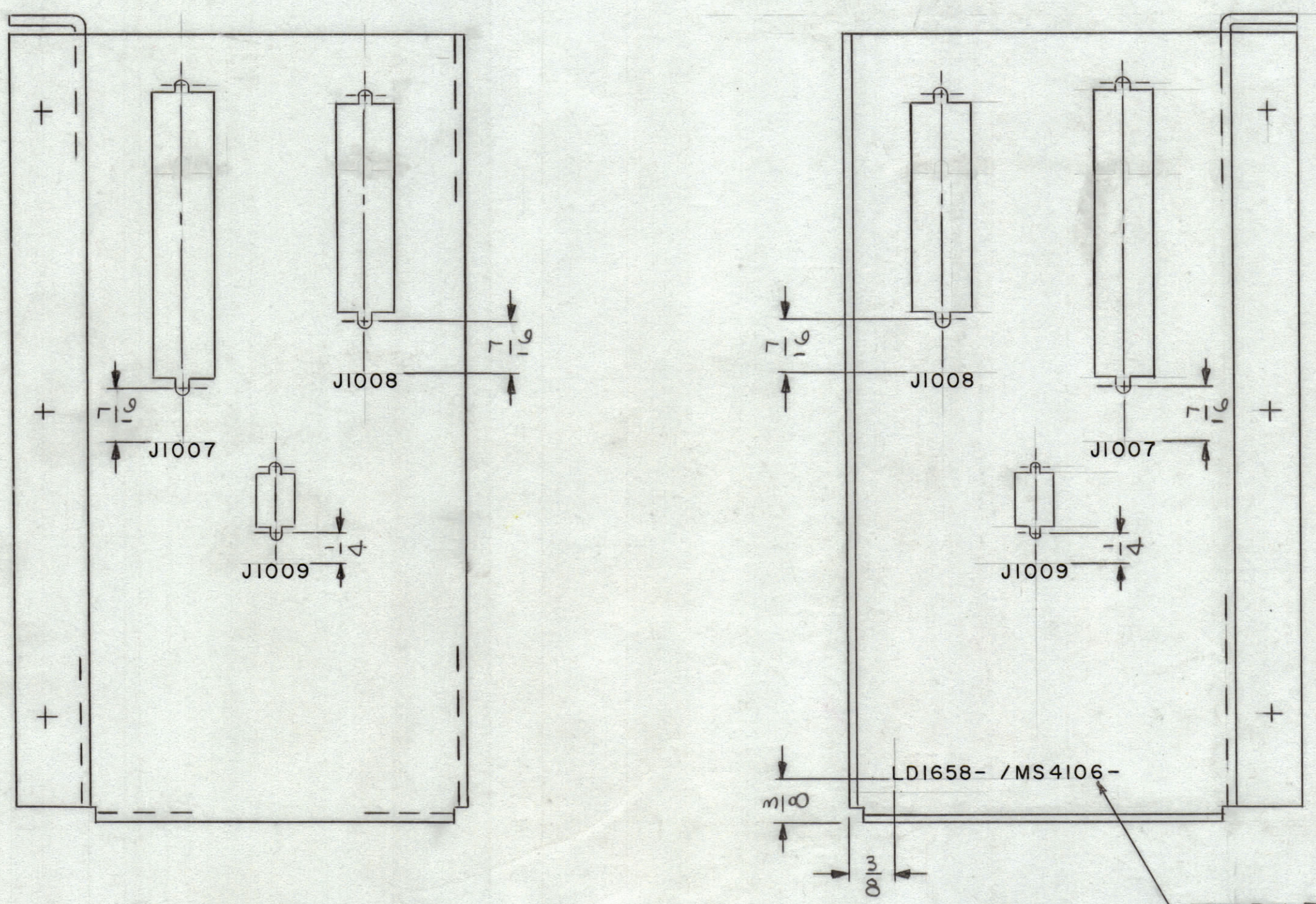


REVISIONS					
ZONE	SYM	DESCRIPTION	DATE	E.M.N. NO.	APPD
	X	EXP RELEASE	1/19/64		JL JM
	Ø	ORIGINAL RELEASE FOR PRODUCTION	2-10-65	Ø	Ø JL

REAR VIEW

FRONT VIEW



MARK TMC PT. NO.
W/LATEST REV. LETTER

~ UNLESS OTHERWISE SPECIFIED ~

- 1- MARKING PROCESS: AS PER TMC SPECIFICATION S-727.
- 2- LETTERING: 1/8 HIGH BLACK GOTHIC, LOCATED AS SHOWN.

REF.: MS4106

1	RTPA-1	A4051
QTY./UNIT	MODEL USED ON	ASS'Y. NO.
SCALE	CODE	
1:1	A	
THE CONTENTS OF THIS DRAWING ARE THE EXCLUSIVE PROPERTY OF THE TECHNICAL MATERIEL CORP. ITS UNAUTHORIZED USE OR REPRODUCTION IN WHOLE OR IN PART IS STRICTLY FORBIDDEN.		

NOTES

REQ'D.	ITEM	PART NUMBER	DESCRIPTION	SYMBOL
F. E. EATON LIST OF MATERIAL				
MATERIAL		THE TECHNICAL MATERIEL CORP. MAMARONECK, NEW YORK		
FINISH		TITLE MARKING - CONNECTOR MTG BKT		
UNLESS OTHERWISE SPECIFIED DIMENSIONS ARE IN INCHES AND INCLUDE CHEMICALLY APPLIED OR PLATED FINISHES		DRAWN J. LESHINSKI	DATE 11/19/64	FINAL APPROVAL KJC
DECIMALS .X ± .05 .XX ± .01 .XXX ± .005		CHECKED Ø	DATE 2/9/65	DATE 2/8/65
FRACTIONS ± 1/64 ANGLES ± 0° 30'		ELECT. DES. Ø	DATE 2/8/65	DATE 2/8/65
TOLERANCES		MECH. DES. W. JORDAN	DATE 2/8/65	DATE 2/8/65
			SHEET	REV. LTR.

LD1658 Ø