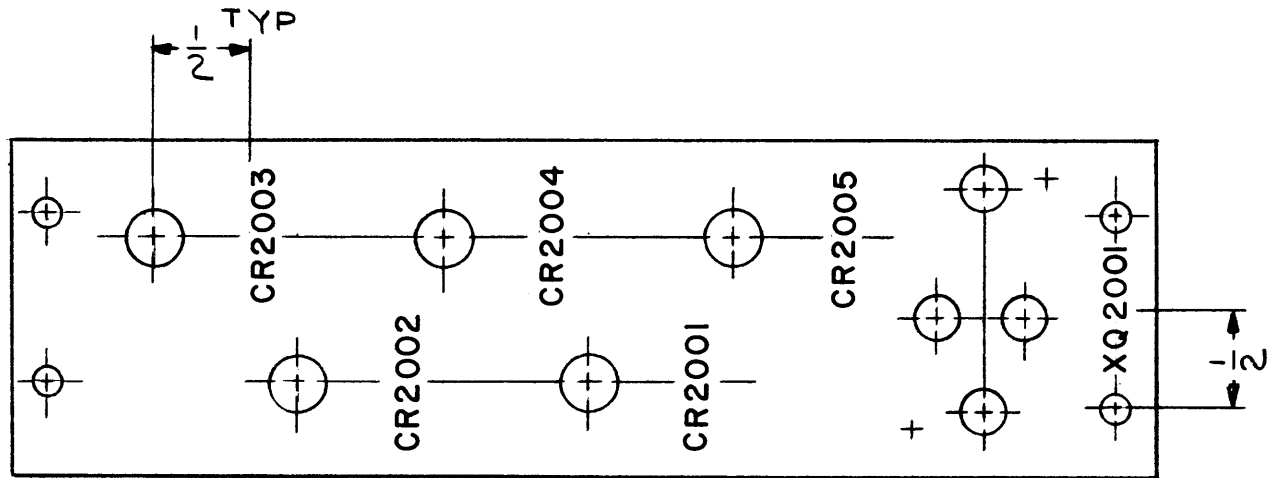


# BOTTOM VIEW



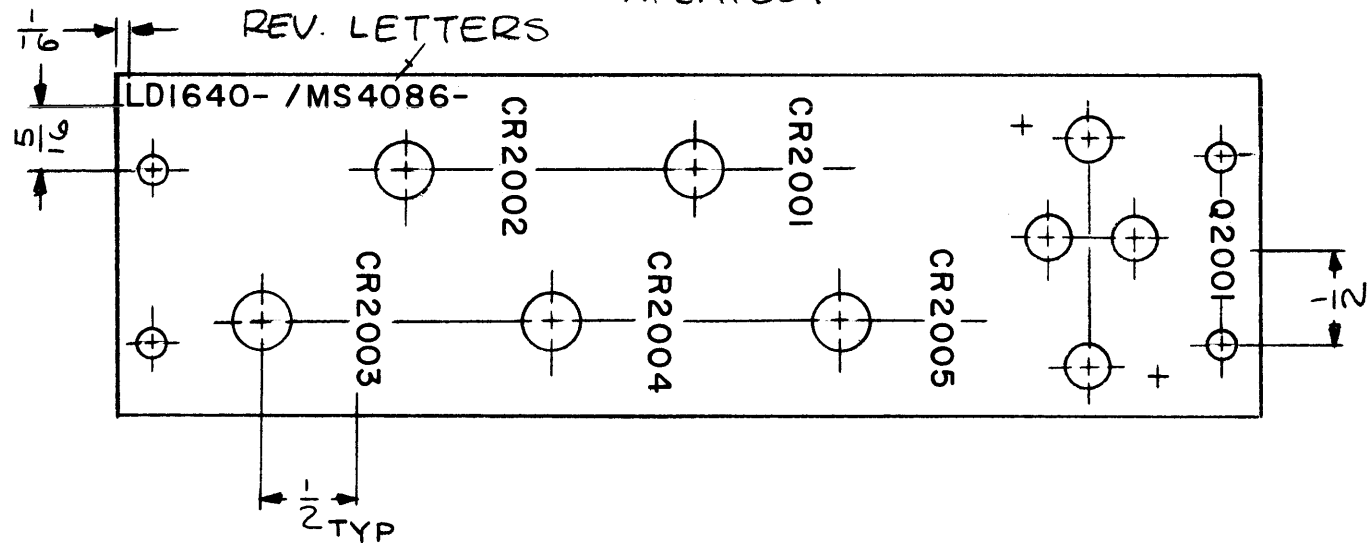
LD1640 Ø

REVISIONS						
SYM	DESCRIPTION	DATE	E.M.N. NO.	DRAFT	CHKD	APPD
X	EXP. RELEASE	11/10/64		JL	JM	
Ø	ORIGINAL RELEASE FOR PRODUCTION	2-10-65		JL	JM	

~ UNLESS OTHERWISE SPECIFIED ~

- 1- MARKING PROCESS: AS PER TMC SPECIFICATION S-727.
- 2- LETTERING: 1/8 HIGH BLACK GOTHIC, LOCATED AS SHOWN.

MARK TMC PT NO W/LATEST REV. LETTERS



# TOP VIEW

REF: MS4086

REQ'D.	ITEM	PART NUMBER	DESCRIPTION	SYMBOL
F. E. EATON LIST OF MATERIAL				
MATERIAL		THE TECHNICAL MATERIEL CORP. MAMARONECK, NEW YORK		
FINISH		TITLE MARKING - COMPONENT MTG PLATE (+12 V POWER SUPPLY)		
UNLESS OTHERWISE SPECIFIED DIMENSIONS ARE IN INCHES AND INCLUDE CHEMICALLY APPLIED OR PLATED FINISHES		DRAWN J. LESHINSKI DATE 11/10/64	FINAL APPROVAL DATE J.M. 2/18/65	
DECIMALS .X ± .05 .XX ± .01 .XXX ± .005		FRACTIONS ± 1/64 ANGLES ± 0° 30'		ELECT. DES. MECH. DES. W. JORDAN
TOLERANCES		DATE 2/18/65	LD1640	
		DATE 2/18/65	SHEET	
			REV. LTR.	

I	RTIA-1	A4068
Q'TY./UNIT	MODEL USED ON	ASS'Y. NO.
SCALE 1:1	CODE A	

THE CONTENTS OF THIS DRAWING ARE THE EXCLUSIVE PROPERTY OF THE TECHNICAL MATERIEL CORP. ITS UNAUTHORIZED USE OR REPRODUCTION IN WHOLE OR IN PART IS STRICTLY FORBIDDEN.

## NOTES