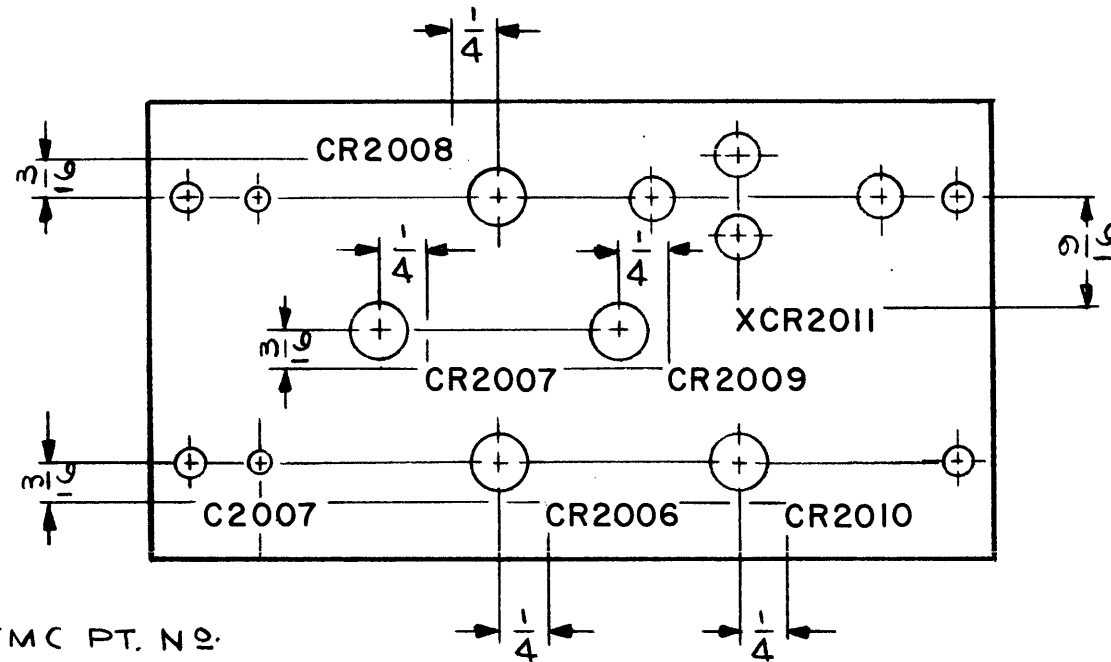
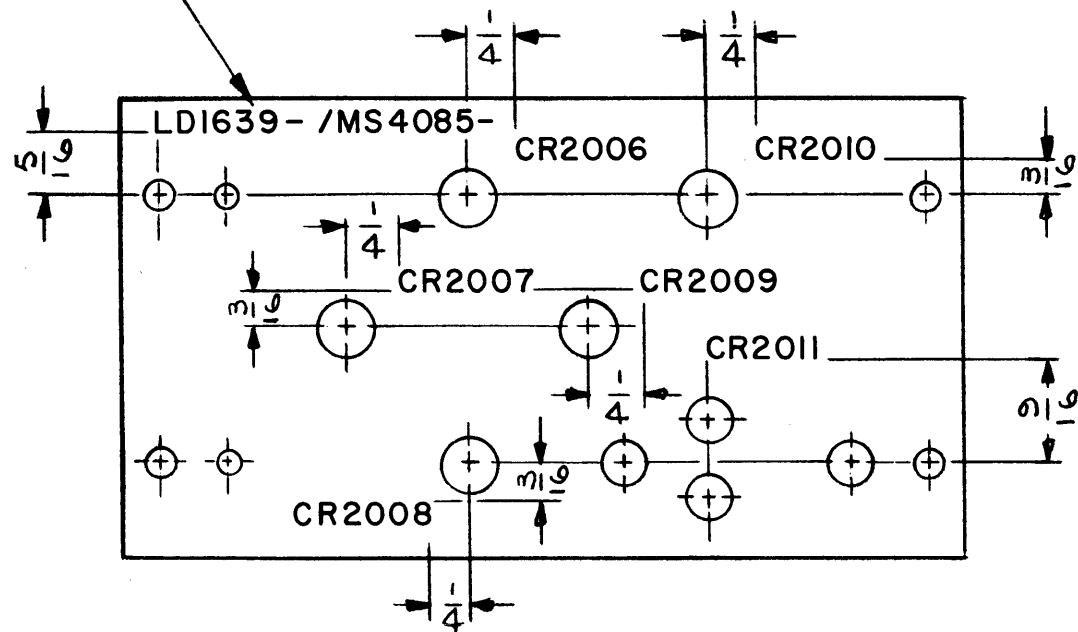


# BOTTOM VIEW



MARK TMC PT. NO.  
W/LATEST REV. LETTERS



# TOP VIEW

LD1639

REVISIONS					
SYM	DESCRIPTION	DATE	E.M.N. NO.	DRAFT	CHKD APPD
X	EXP. RELEASE	11/11/64		JL	JM
<del>Ø</del>	ORIGINAL RELEASE FOR PRODUCTION	2/10/65		JL	JCB

~ UNLESS OTHERWISE SPECIFIED ~

- 1- MARKING PROCESS: AS PER TMC SPECIFICATION S-727.
- 2- LETTERING: 1/8 HIGH BLACK GOTHIC, LOCATED AS SHOWN.

REF: MS4085

REQ'D.	ITEM	PART NUMBER	DESCRIPTION	SYMBOL
F. E. EATON LIST OF MATERIAL				
MATERIAL		THE TECHNICAL MATERIEL CORP. MAMARONECK, NEW YORK		
FINISH		TITLE MARKING - COMPONENT MTG PLATE (- 12V POWER SUPPLY)		
UNLESS OTHERWISE SPECIFIED DIMENSIONS ARE IN INCHES AND INCLUDE CHEMICALLY APPLIED OR PLATED FINISHES		DRAWN J. LESHINSKI	DATE 11/11/64	FINAL APPROVAL DATE
DECIMALS .X ± .05 .XX ± .01 .XXX ± .005		CHECKED JCB	DATE 2/8/65	DATE
FRACTIONS ± 1/64 ANGLES ± 0° 30'		ELECT. DES. MECH. DES. W. JORDAN	DATE 2/8/65	DATE
SHEET				REV. LTR.

1	RTIA-1	A4067
Q'TY./UNIT	MODEL USED ON	ASS'Y. NO.
SCALE 1:1	CODE A	
THE CONTENTS OF THIS DRAWING ARE THE EXCLUSIVE PROPERTY OF THE TECHNICAL MATERIEL CORP. ITS UNAUTHORIZED USE OR REPRODUCTION IN WHOLE OR IN PART IS STRICTLY FORBIDDEN.		

## NOTES