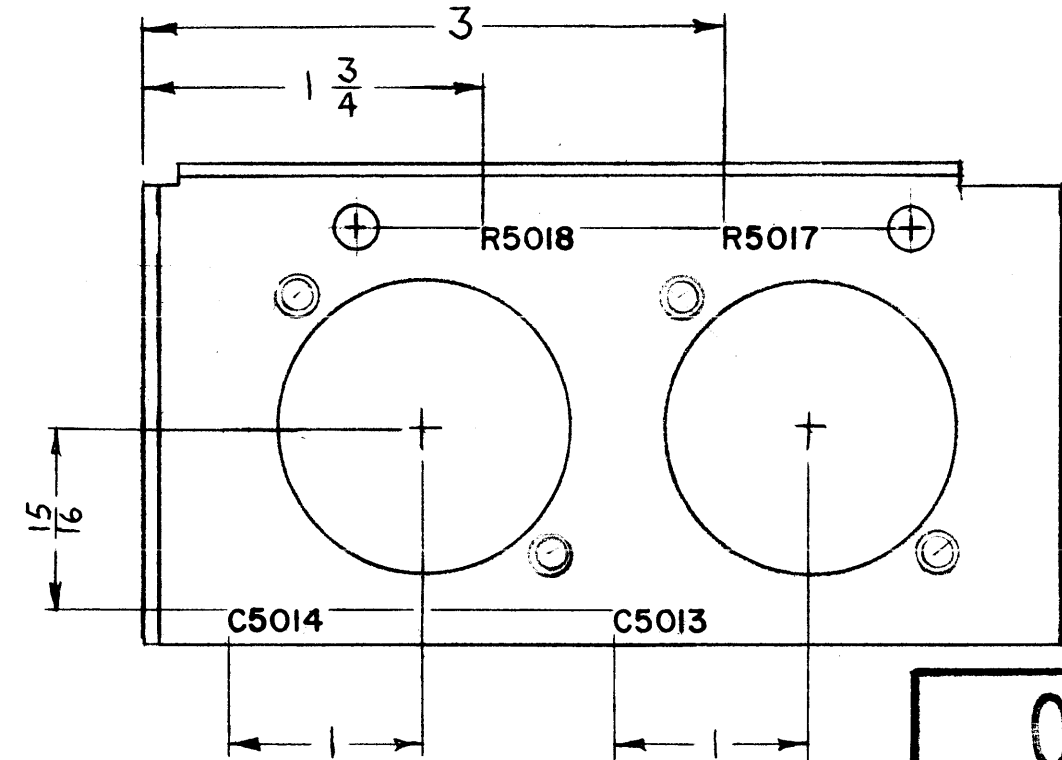
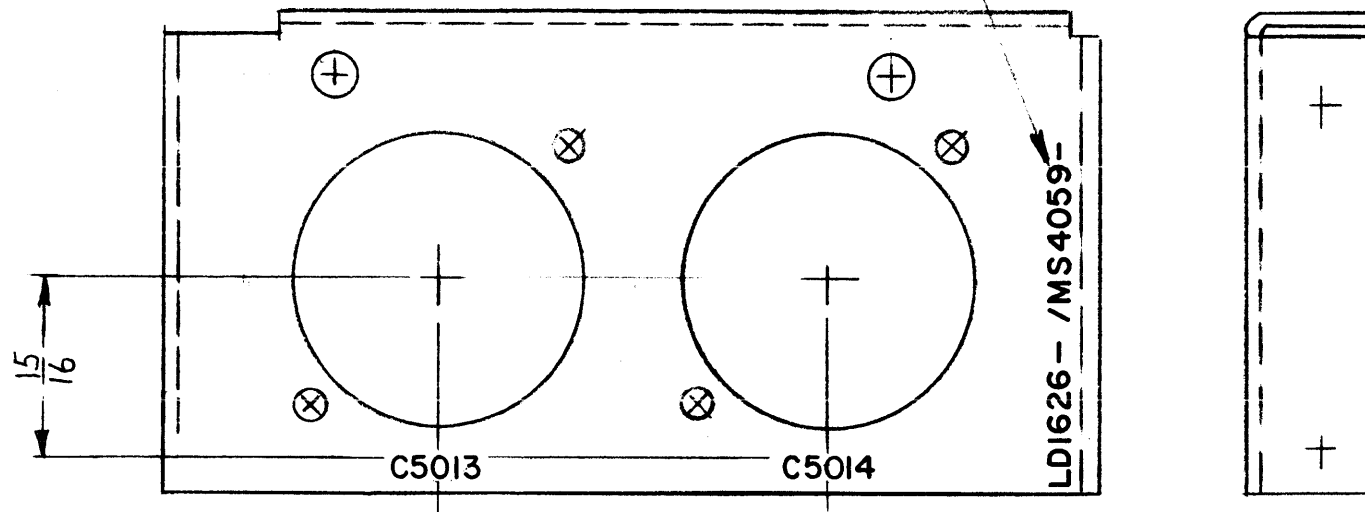


MARK TMC P/No.W/LATEST REVISION LETTER



OBSOLETE
 NO LONGER USED
 PER EMN. # 13608 3/16/65
 97.

LD1626 B

REVISIONS					
SYM	DESCRIPTION	DATE	E.M.N. NO.	DRAFT	CHKD APPD
X	EXP. RELEASE	10-8-64		G.D.L.	
Ø	ORIGINAL RELEASE FOR PRODUCTION	10-9-64		@	
A	C5013 & C5014 RELOC. ON FRONT & REAR VIEW; R5018 & R5017 RELOC. SEE (MS4059) REV. "A".	1-18-65	12776	97	NL
B	OBSOLETE NOTE ADD.	3-16-65	13608	97	

MARKING PROCESS: AS PER TMC SPECIFICATION S-727.

LETTERING: 1/8 HIGH BLACK GOTHIC, LOCATED AS SHOWN.

REF: MS 4059

RTMU-1		ASS'Y. NO.
Q'TY./UNIT	MODEL USED ON	
SCALE 1:1	CODE A	

NOTES

THE CONTENTS OF THIS DRAWING ARE THE EXCLUSIVE PROPERTY OF THE TECHNICAL MATERIEL CORP. ITS UNAUTHORIZED USE OR REPRODUCTION IN WHOLE OR IN PART IS STRICTLY FORBIDDEN.

REQ'D.	ITEM	PART NUMBER	DESCRIPTION	SYMBOL
EATON LIST OF MATERIAL				
MATERIAL		THE TECHNICAL MATERIEL CORP. MAMARONECK, NEW YORK		
FINISH		TITLE MARKING PLATE, MTG CAPACITOR MARKING PROCESS: AS PER TMC SPEC. S727		
UNLESS OTHERWISE SPECIFIED DIMENSIONS ARE IN INCHES AND INCLUDE CHEMICALLY APPLIED OR PLATED FINISHES		DRAWN G.D.L.	DATE 10-8-64	FINAL APPROVAL
DECIMALS .X ± .05 .XX ± .01 .XXX ± .005		CHECKED @	DATE 10-9-64	DATE
FRACTIONS ± 1/64 ANGLES ± 0° 30'		ELECT. DES. <i>[Signature]</i>	DATE 10-9-64	DATE
TOLERANCES		MECH. DES.	DATE	DATE
			LD1626	B
			SHEET	REV. LTR.