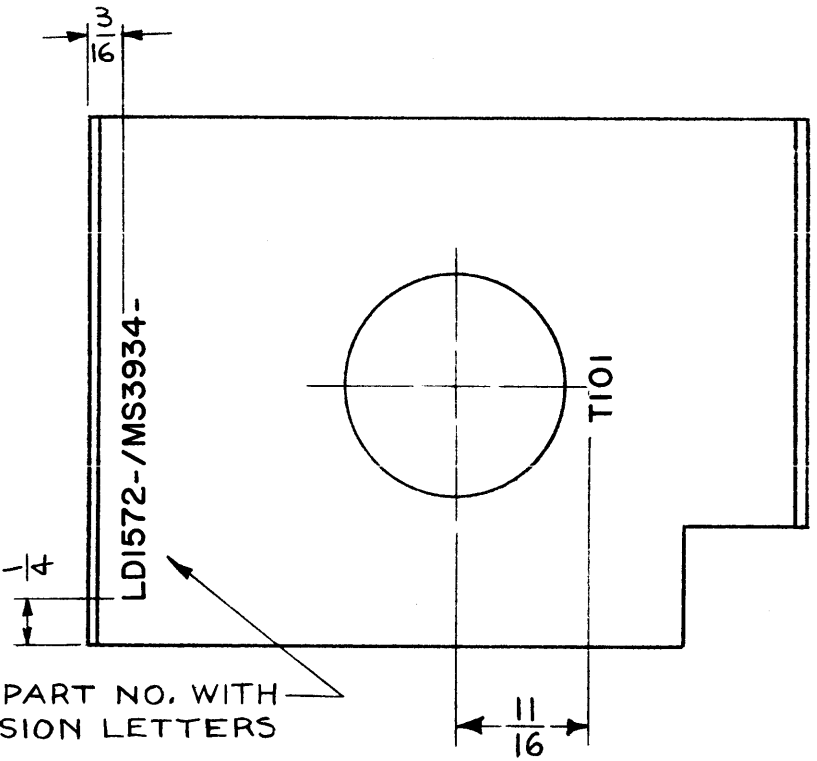
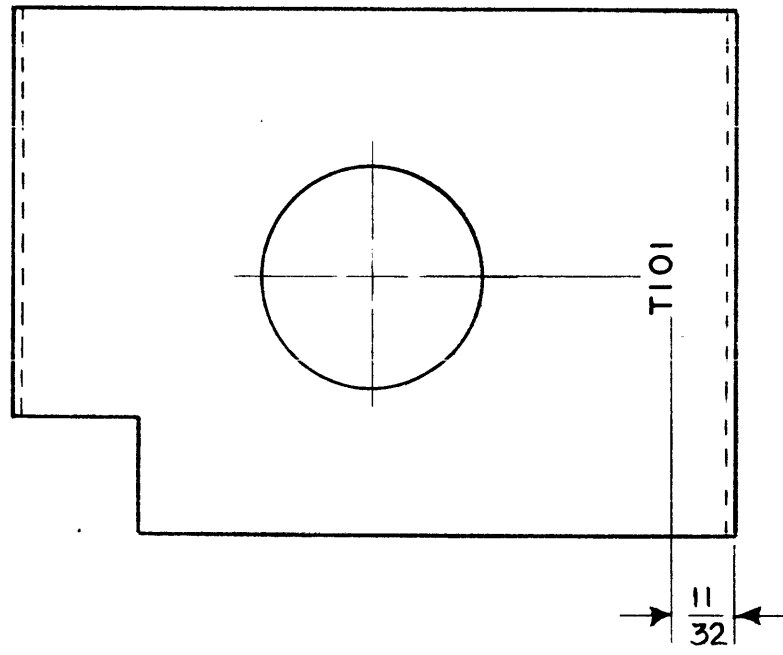


LD1572

REVISIONS					
SYM	DESCRIPTION	DATE	E.M.N. NO.	DRAFT	CH
X	EXPERIMENTAL RELEASE	8-5-64		NP	
Ø	ORIGINAL RELEASE FOR PRODUCTION	8-31-64	Ø	LL	



MARK TMC PART NO. WITH LATEST REVISION LETTERS

MARKING PROCESS: AS PER TMC SPECIFICATION S-727.  
 LETTERING: 1/8 HIGH BLACK GOTHIC, LOCATED AS SHOWN.

REF: MS3934

1	LFCA-1	
Q'TY./UNIT	MODEL USED ON	ASS'Y. NO.
SCALE 1:1	CODE A	

REQ'D.	ITEM	PART NUMBER	DESCRIPTION	SYMBOL
M. GELLMAN LIST OF MATERIAL				
MATERIAL			THE TECHNICAL MATERIEL CORP. MAMARONECK, NEW YORK	
FINISH			TITLE MARKING, PANEL, TRANSFORMER	
UNLESS OTHERWISE SPECIFIED DIMENSIONS ARE IN INCHES AND INCLUDE CHEMICALLY APPLIED OR PLATED FINISHES				
DRAWN <i>N. Peter</i>		DATE 8-5-64	FINAL APPROVAL <i>[Signature]</i>	
CHECKED <i>[Signature]</i>		DATE 9-1-64		
ELECT. DES. <i>[Signature]</i>		DATE	LD1572	
MECH. DES.		DATE	Ø	
DECIMALS .X ± .05 .XX ± .01 .XXX ± .005			TOLERANCES ± 1/64 ANGLES ± 0° 30'	
SHEET			REV. LTR.	

NOTES

THE CONTENTS OF THIS DRAWING ARE THE EXCLUSIVE PROPERTY OF THE TECHNICAL MATERIEL CORP. ITS UNAUTHORIZED USE OR REPRODUCTION IN WHOLE OR IN PART IS STRICTLY FORBIDDEN.