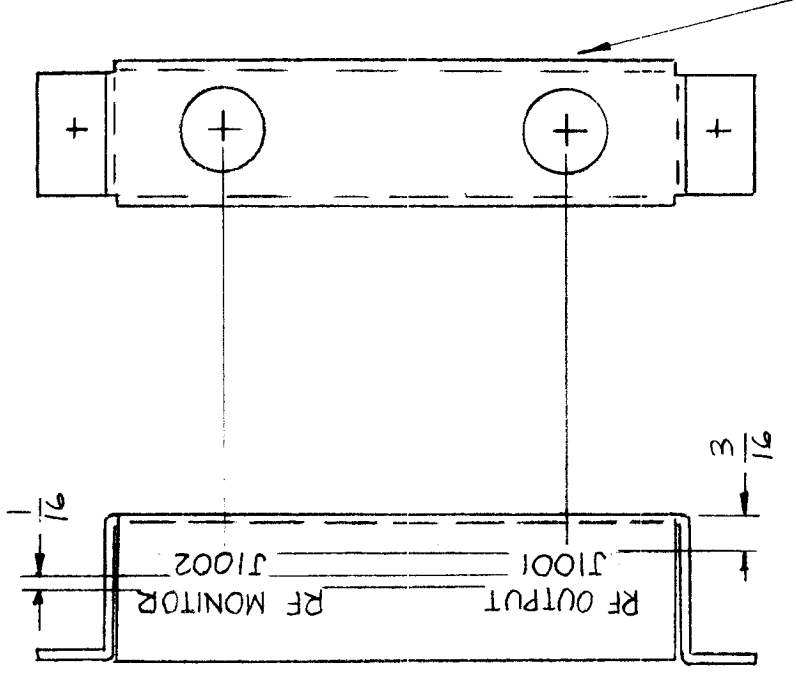


APPLICATION

REVISIONS

QTY	MODEL USED ON	ASSY NO.	ITR	DESCRIPTION	DATE	F M N NO	DRAFT	CHKD	APPD
1	CHG-3	A4558	X	EXP. RELEASE ORIGINAL RELEASE FOR PRODUCT	1-4-67		PH	PH	
1	CHGR-3	A4558	Ø		1-9-67		LD		



MARKING PROCESS: AS PER TMC SPECIFICATION S-727.

LETTERING: 1/8 HIGH BLACK GOTHIC, LOCATED AS SHOWN.

MARK TMC P/N
LD1544
1/8 HIGH GOTHIC
W/LATEST REV.
LETTER.

REF: MS6056

UNLESS OTHERWISE SPECIFIED DIMENSIONS ARE IN INCHES AND INCLUDE CHEMICALLY APPLIED OR PLATED FINISHES	REQ'D ITEM	PART NUMBER	DESCRIPTION	SYM.
DECIMALS FRACTIONS .X ± .05 TOLS. 1/64 .XX ± .01 ANGLES 0° 30' .XXX ± .005	O. POSE		LIST OF MATERIAL	
MATERIAL			THE TECHNICAL MATERIEL CORP. MAMARONECK, NEW YORK	
FINISH			MARKING, BRKT, MTG. RF OUTPUT AS PER TMC SPEC. S-727	
NOTICE TO PERSONS RECEIVING THIS DRAWING THE TECHNICAL MATERIEL CORPORATION claims proprietary right in the material disclosed hereon. This drawing is issued in confidence for engineering information only and may not be reproduced or used to manufacture anything shown hereon without permission from THE TECHNICAL MATERIEL CORPORATION to the user. This drawing is loaned for mutual assistance and is subject to recall at any time.			SIZE A	ISSUE Ø
			CODE IDENT. NO. 82679	
			DWG NO. LD1544	
			SCALE 1:1	SHEET OF

DATE 1/10/67
MECH. DES. [Signature]
ELECT. DES. [Signature]
CHECKED [Signature]
DRAWN [Signature]