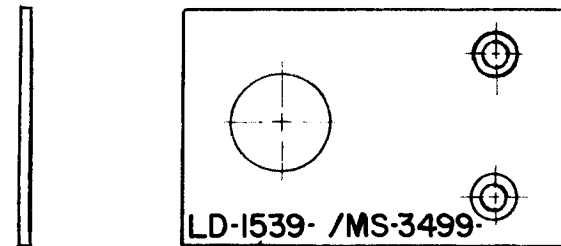
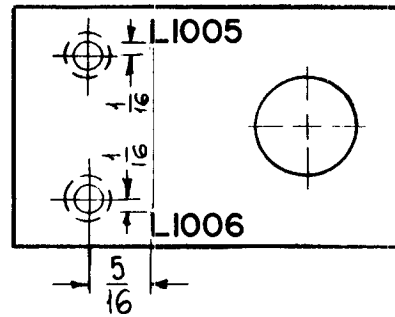


REQ. PER UNIT	USED ON			LD1539	A
	MODEL	ASS'Y. NO.	DATE		
1	GPT-10K(17)	AX-504	5-15-64		



MARK TMC PART NO.  
W/LATEST REV. LETTER

**MARKING PROCESS:** AS PER TMC SPECIFICATION S-727.  
**LETTERING:** 1/8 HIGH BLACK GOTHIC, LOCATED AS SHOWN.

REF: MS-3499

REQ. ITEM	PART NO.	L. BUTLER DESCRIPTION			SYMBOL		
		THE TECHNICAL MATERIEL CORP. MAMARONECK, NEW YORK					
A	COUNTERSINK SYMB. REVERS.	12/30/68	19134	LTT. J.D. FB	STOCK SIZE		
O	ORIGINAL RELEASE FOR PRODUCTION	5/28/64	0	A.M.	MARKING PLATE, RF FILTER MTG.		
SYM	DESCRIPTION	DATE	CH. NO.	DRAFTS CHECKER ENG. APP.	MATERIAL		
UNLESS OTHERWISE SPECIFIED DIMENSIONS ARE IN INCHES AND INCLUDE CHEMICALLY APPLIED OR PLATED FINISHES		SCALE	1"=1"			SRG	
DECIMALS .X ± .05 .XX ± .01 .XXX ± .005		FRACTIONS ± 1/64 ANGLES ± 0° 30'		CODE		TYPE & TEMPER HEAT TREAT. SPEC.	
TOLERANCES					DRAWN	CHECKED	FINAL APPROVAL
					ELEC. DES. APP. MECH. DES. APP.		LD1539 A
					FINISH & SPEC. NO.		