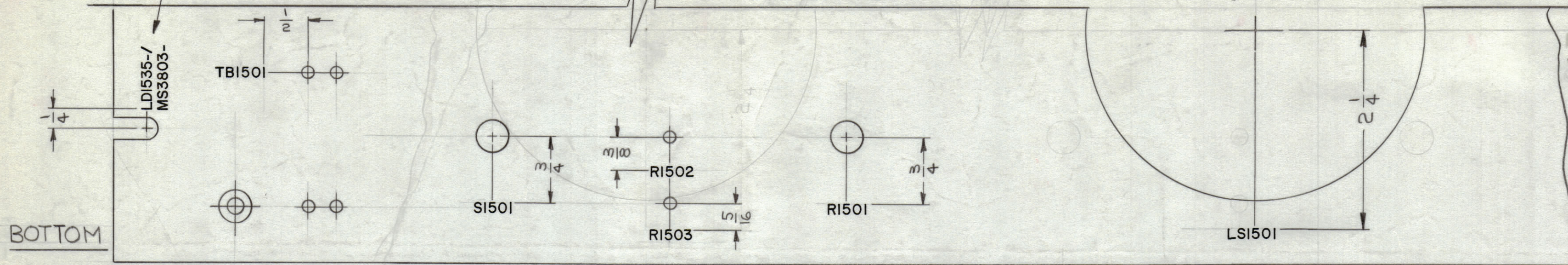


REVISIONS					
ZONE	SYM	DESCRIPTION	DATE	E.M.N. NO.	APPD
	Q	ORIGINAL RELEASE	7-31-64	Q	G.D.L.

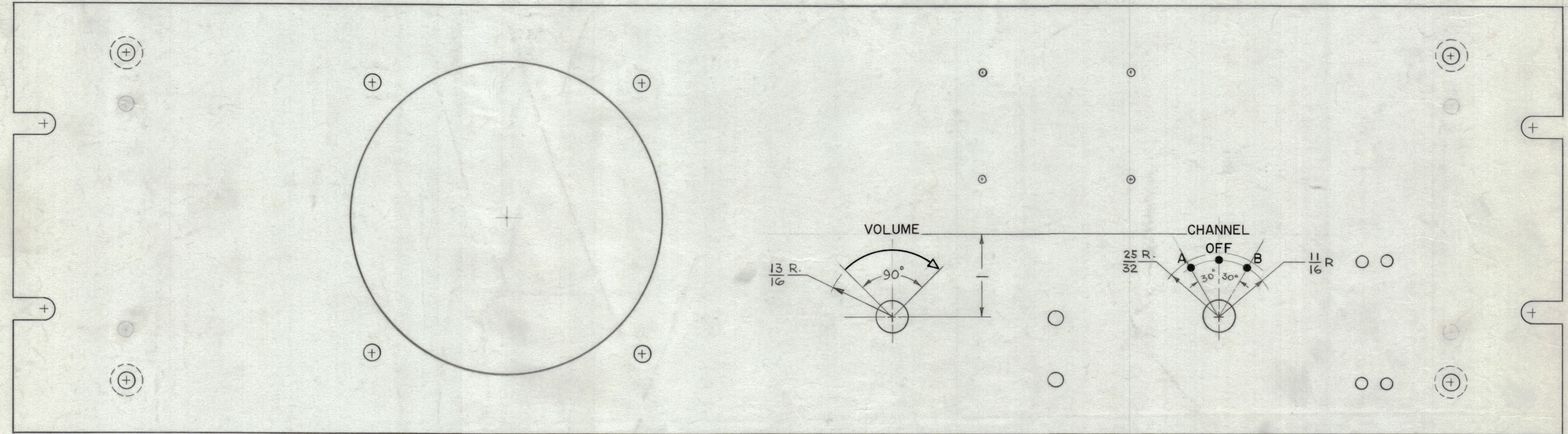
MARK TMC PART NO. 1/8 HIGH, BLACK GOTHIC, WITH LATEST REVISION LETTERS.

REAR VIEW

UNLESS OTHERWISE SPECIFIED:  
MARKING PROCESS: AS PER TMC SPECIFICATION S-727.  
LETTERING: 1/8 HIGH BLACK GOTHIC, LOCATED AS SHOWN.



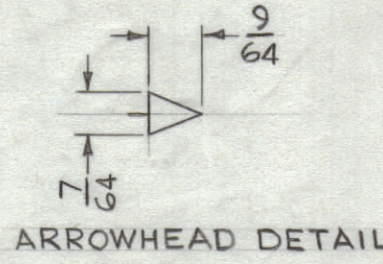
TOP



FRONT VIEW

- NOTES:
1. ALL LETTERS TO BE GOTHIC, 1/8 HIGH WHITE-FILLED, SIZE SHOWN ON CHART.
  2. ALL DOTS & LINES TO BE WHITE-FILLED.
  3. ARROWHEAD TO BE WHITE OUTLINE FILLED.

HEIGHT OF LETTES	DEPTH OF STROKE	WIDTH OF STROKE
1/8	.010	.020
DOTS	.010	1/16 DIA.
LINES	.010	.015
ARROW-HEAD	.010	-



REF: MS3803

REQ'D.	ITEM	PART NUMBER	DESCRIPTION	SYMBOL
EATON LIST OF MATERIAL				
MATERIAL		THE TECHNICAL MATERIEL CORP. MAMARONECK, NEW YORK		
FINISH		TITLE MARKING, FRONT PANEL MARKING METHOD: ENGRAVING & MARKING		
UNLESS OTHERWISE SPECIFIED DIMENSIONS ARE IN INCHES AND INCLUDE CHEMICALLY APPLIED OR PLATED FINISHES		DRAWN TAR	DATE 5/8/64	FINAL APPROVAL [Signature]
DECIMALS .X ± .05 .XX ± .01 .XXX ± .005		CHECKED @	DATE 7-31-64	DATE
FRACTIONS ± 1/64 ANGLES ± 0° 30'		ELECT. DES. [Signature]	DATE 8/1/64	DATE
TOLERANCES		MECH. DES. [Signature]	DATE	SHEET
				LD1535 Q
				REV. LTR.

Q'TY./UNIT	MODEL USED ON	ASS'Y. NO.
1	HSS-3	A3654
SCALE 1:1	CODE A	

NOTES

THE CONTENTS OF THIS DRAWING ARE THE EXCLUSIVE PROPERTY OF THE TECHNICAL MATERIEL CORP. ITS UNAUTHORIZED USE OR REPRODUCTION IN WHOLE OR IN PART IS STRICTLY FORBIDDEN.