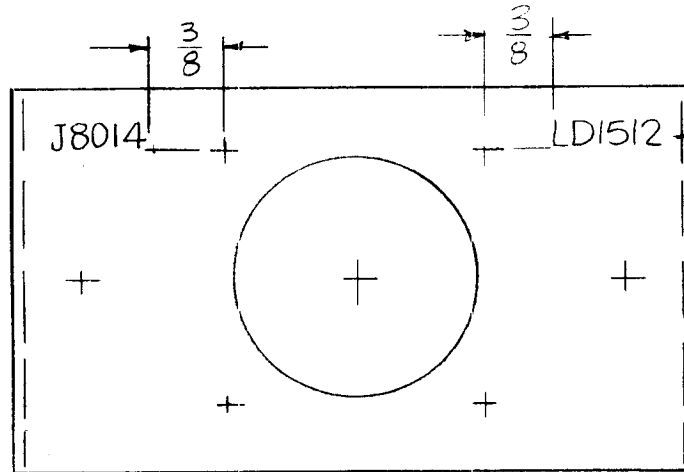


REQ. PER UNIT	USED ON			LD1512	∅
	MODEL	ASS'Y. NO.	DATE		
1	RAK110-2G		12-8-66		



MARK TMC P/N
1/8 HIGH GOTHIC
W/LATEST REV
LETTER.

MARKING PROCESS: AS PER TMC SPECIFICATION S-727.

LETTERING: 1/8 HIGH BLACK GOTHIC, LOCATED AS SHOWN.

REF MS6042

REQ. ITEM	PART NO.	F. BUDETTI DESCRIPTION		SYMBOL
		THE TECHNICAL MATERIEL CORP. MAMARONECK, NEW YORK		
∅		ORIGINAL RELEASE FOR PRODUCTION	3/27/67	RME
X		EXP RELEASE	12-8-66	<i>[Signature]</i>
ISSUE	ITEM	CHANGED FROM	DATE	CH. NO. DRAFTS CHECKER ENG. APP.
TOLERANCES		SCALE: 1:1		
DEC. DIM. ± FRAC. DIM. ± ANGULAR DIM. ±		MAXIMUM ALLOWABLE TOLERANCES HAVE BEEN DETERMINED AND ANY DEVIATIONS WILL BE CAUSE FOR REJECTION. REMOVE ALL BURRS AND SHARP EDGES		
TYPE & TEMPER		HEAT TREAT. SPEC.	DRAWN	CHECKED
S401-451 S401-		S401-	<i>[Signature]</i>	<i>[Signature]</i>
FINISH & SPEC. NO.		ELEC. DES. APP.	MECH. DES. APP.	FINAL APPR VAL
				LD1512 ∅