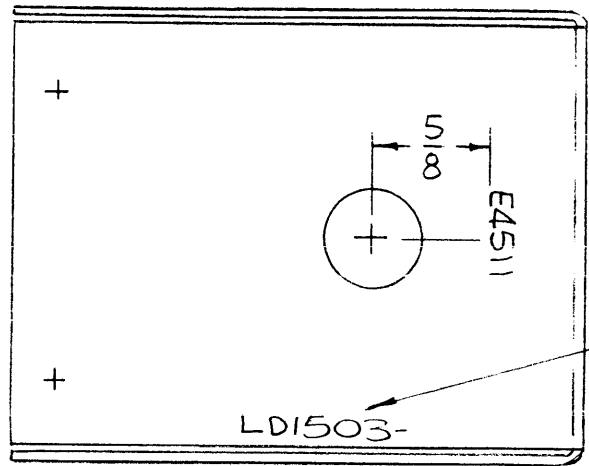


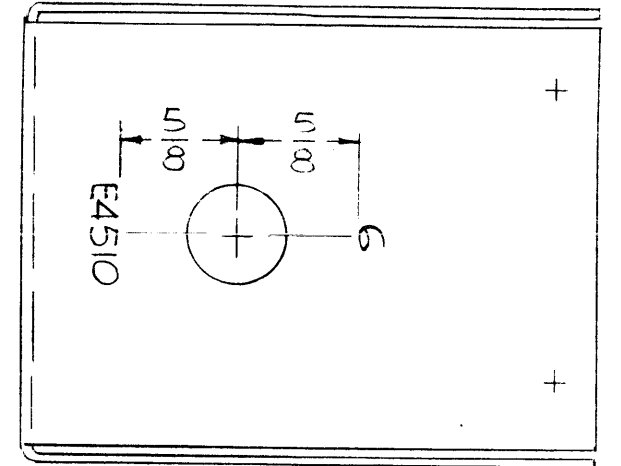
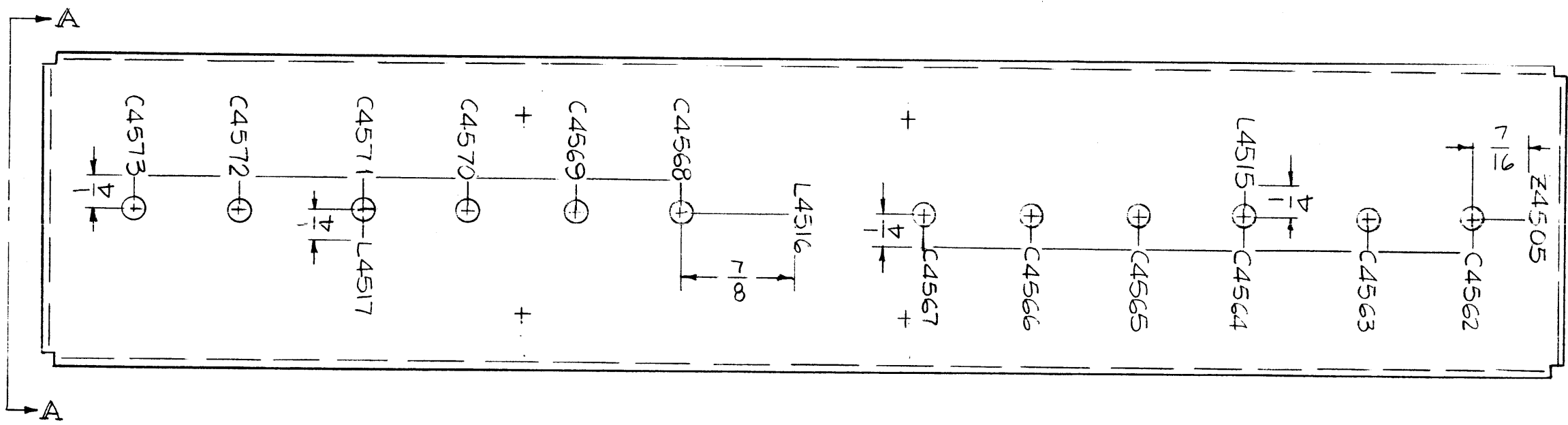
LD1503

REVISIONS					
SYM	DESCRIPTION	DATE	E.M.N. NO.	DRAFT	CHKD APPD
X	EXP. RELEASE	10-10-66	X		W RB
ET	ORIGINAL RELEASE	5-9-73		CS	



VIEW - A-A

MARK TMC P/N
1/8 HIGH GOTHIC
W/LATEST REV.
LETTER



MARKING PROCESS: AS PER TMC SPECIFICATION S-727.
LETTERING: 1/8 HIGH BLACK GOTHIC, LOCATED AS SHOWN.

NOTES

Q'TY./UNIT	MODEL USED ON	ASS'Y. NO.
1	TFP-2.5K	
SCALE	CODE	S401-451
1:1	A	S401-
		S401-

THE CONTENTS OF THIS DRAWING ARE THE EXCLUSIVE PROPERTY OF THE TECHNICAL MATERIEL CORP. ITS UNAUTHORIZED USE OR REPRODUCTION IN WHOLE OR IN PART IS STRICTLY FORBIDDEN.

REF: MS 5067-

REQ'D.	ITEM	PART NUMBER	DESCRIPTION	SYMBOL
F. BUDETTI LIST OF MATERIAL				
MATERIAL			THE TECHNICAL MATERIEL CORP. MAMARONECK, NEW YORK	
FINISH			TITLE MARKING, BOX, FILTER AS PER TMC SPEC, S727	
UNLESS OTHERWISE SPECIFIED DIMENSIONS ARE IN INCHES AND INCLUDE CHEMICALLY APPLIED OR PLATED FINISHES			DRAWN <i>[Signature]</i> DATE 9-30-66 CHECKED <i>[Signature]</i> DATE ELECT. DES. DATE MECH. DES. DATE	FINAL APPROVAL <i>[Signature]</i> DATE 5/9/73 SHEET REV. LTR.
DECIMALS .X ± .05 .XX ± .01 .XXX ± .005			TOLERANCES ± 1/64 ANGLES ± 0° 30'	
NOTES			LD1503	