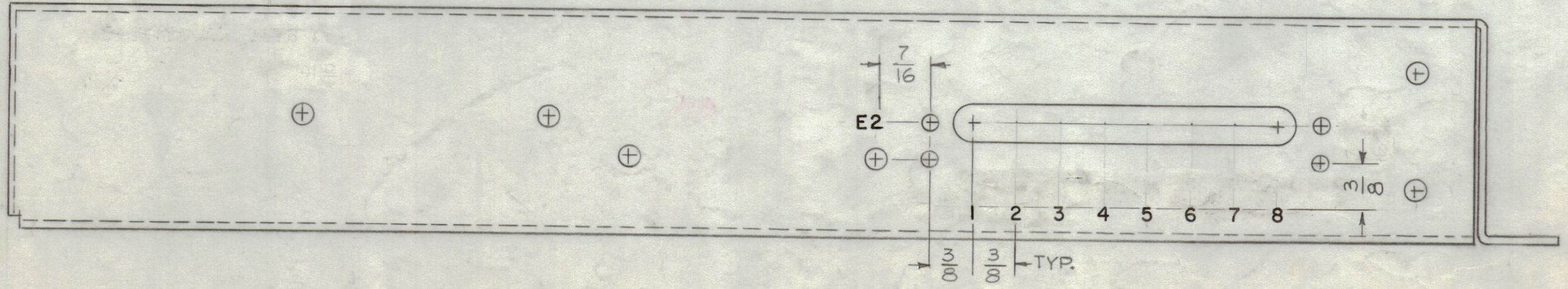
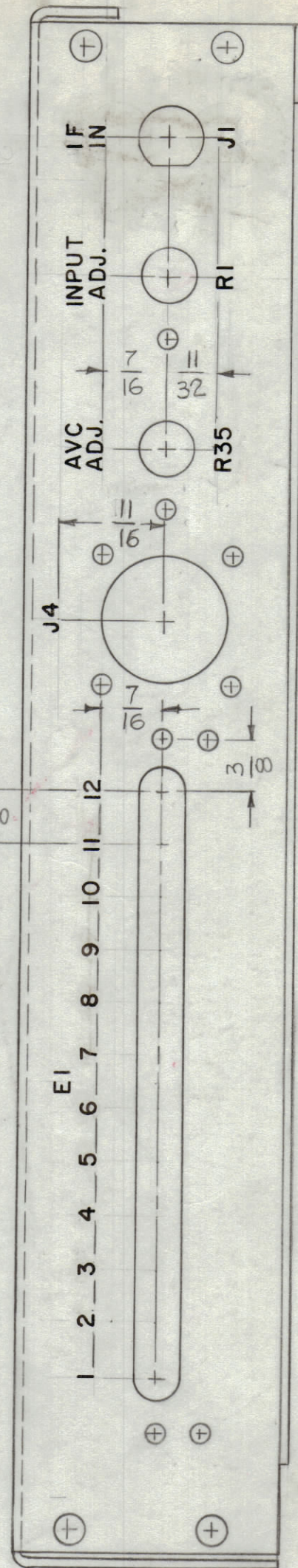
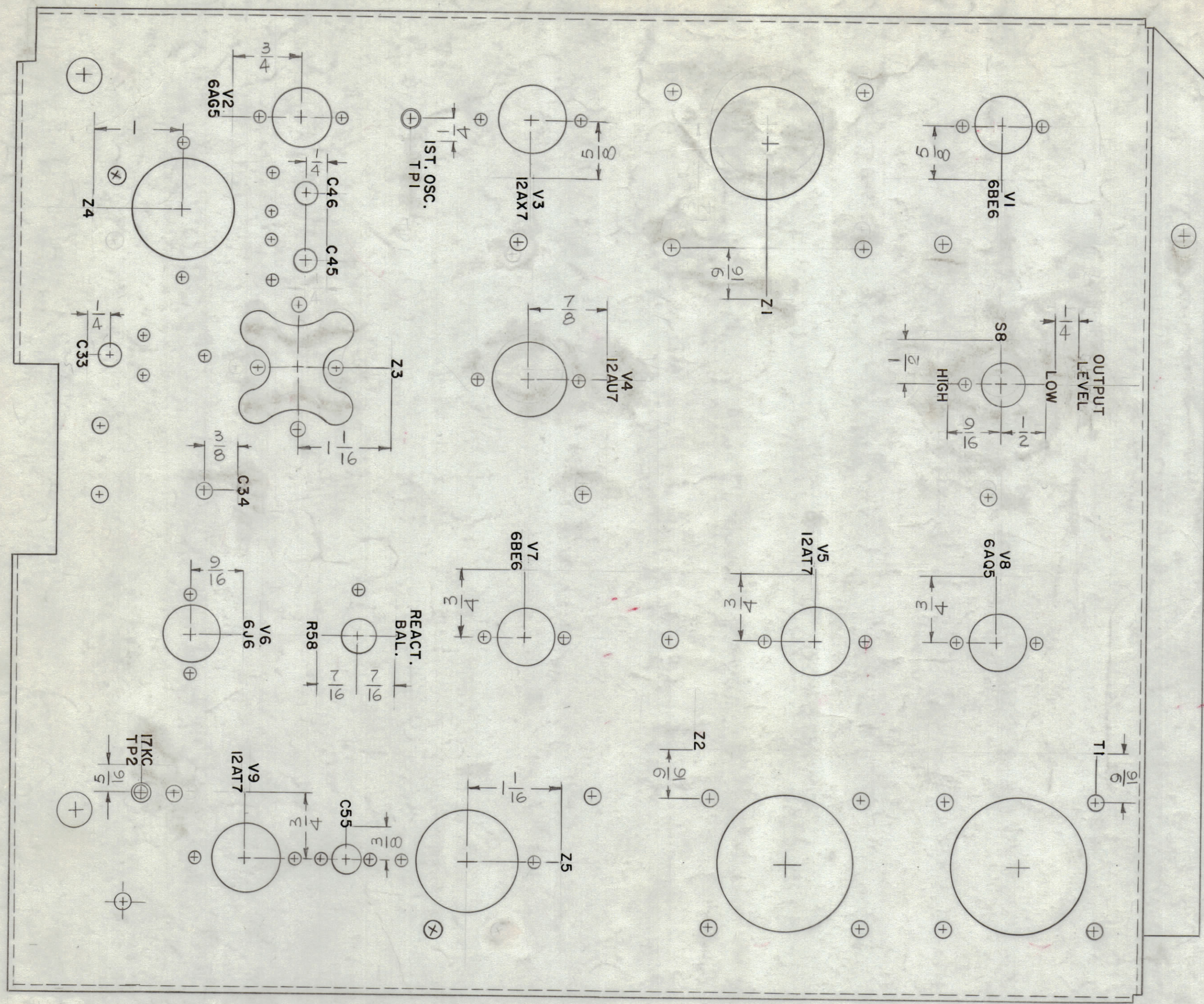


REVISIONS					
ZONE	SYM	DESCRIPTION	DATE	E.M.N. NO.	APPD



MARKING PROCESS: AS PER TMC SPECIFICATION S-727.
 LETTERING: 1/8 HIGH BLACK GOTHIC, LOCATED AS SHOWN.
 1/16 SPACING BETWEEN LETTERING GROUPS.

REF: MS - 3598

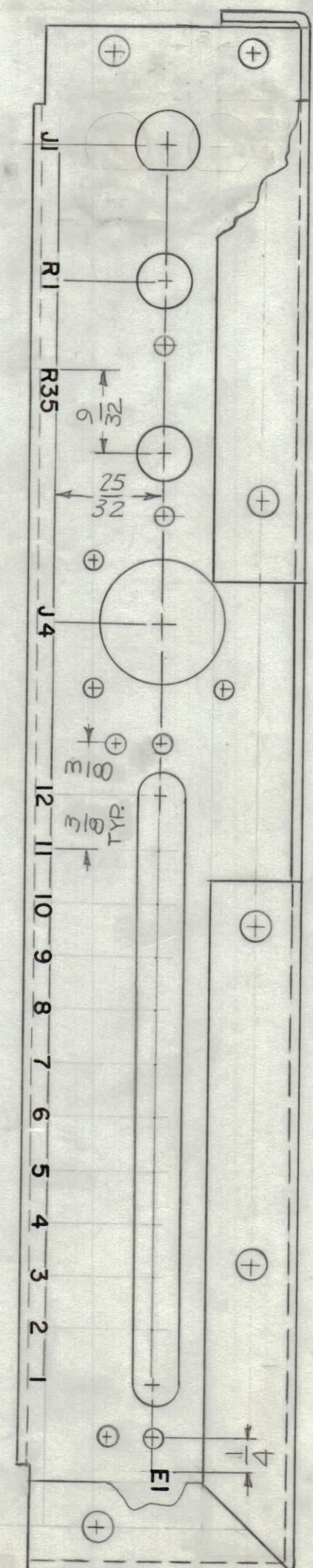
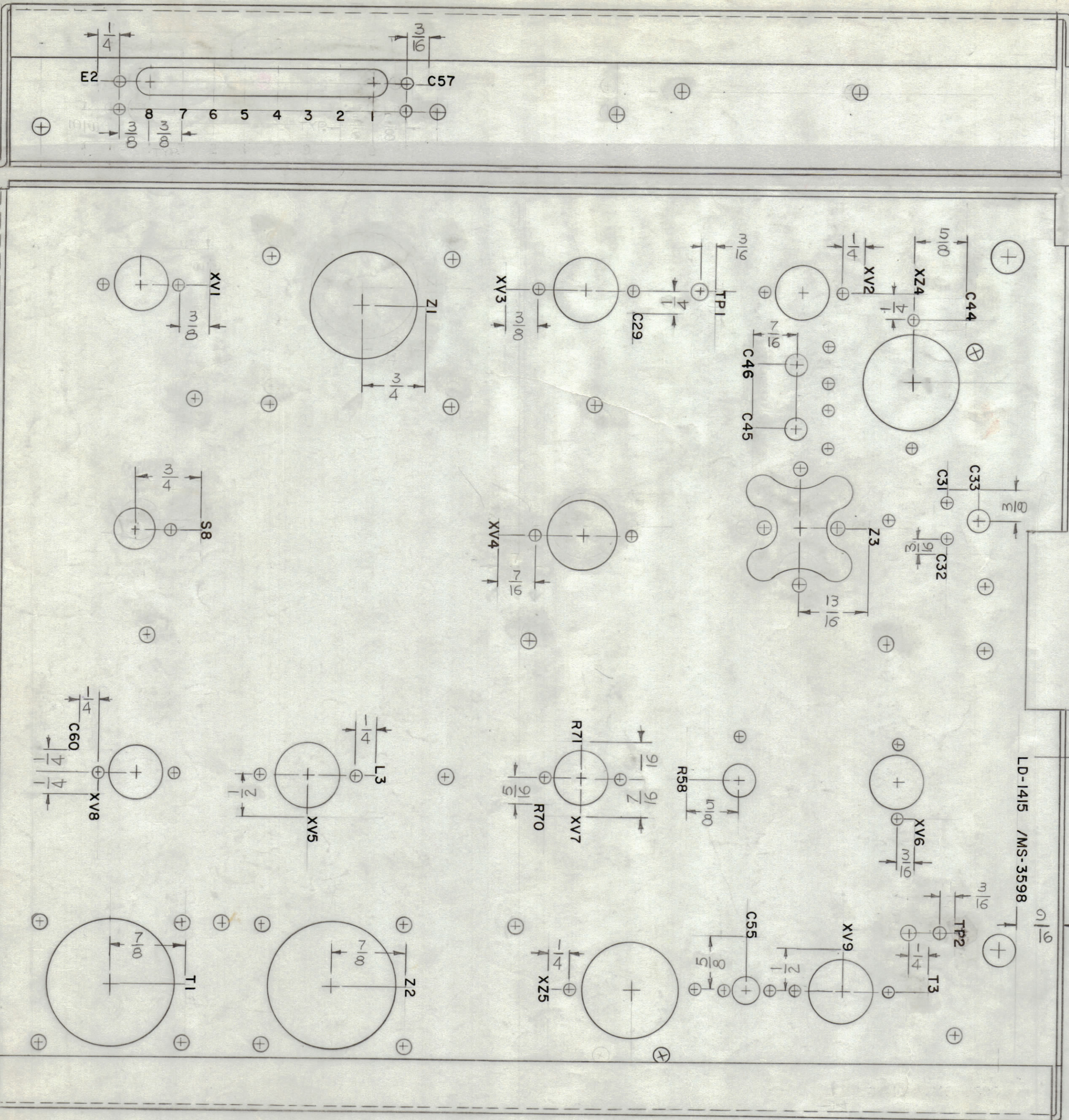
REQ'D.	ITEM	PART NUMBER	DESCRIPTION	SYMBOL
POSE				
LIST OF MATERIAL				
MATERIAL			THE TECHNICAL MATERIEL CORP. MAMARONECK, NEW YORK	
FINISH			TITLE MARKING TOP OF CHASSIS MARKING METHOD: AS PER TMC SPEC. S-727	
UNLESS OTHERWISE SPECIFIED DIMENSIONS ARE IN INCHES AND INCLUDE CHEMICALLY APPLIED OR PLATED FINISHES		DRAWN G.D.L.	DATE 9-25-63	FINAL APPROVAL BP
DECIMALS .X ± .05 .XX ± .01 .XXX ± .005		CHECKED H.D.	DATE 12-15-63	DATE
FRACTIONS ± 1/64 ANGLES ± 0° 30'		ELECT. DES. M.D.	DATE 3-17-63	DATE
TOLERANCES		MECH. DES.	DATE	DATE
NOTES			LD-1415	REV. LTR.
THE CONTENTS OF THIS DRAWING ARE THE EXCLUSIVE PROPERTY OF THE TECHNICAL MATERIEL CORP. ITS UNAUTHORIZED USE OR REPRODUCTION IN WHOLE OR IN PART IS STRICTLY FORBIDDEN.			SHEET 1 OF 2	

MSP-9		
Q'TY./UNIT	MODEL USED ON	ASS'Y. NO.
SCALE 1:1	CODE A	

NOTES

LD-1415

REVISIONS							
ZONE	SYM	DESCRIPTION	DATE	E.M.N. NO.	DRAFT	CHKD	APPD



REF: MS-3598

MARKING PROCESS: AS PER TMC SPECIFICATION S-727.
 LETTERING: 1/8 HIGH BLACK GOTHIC, LOCATED AS SHOWN.

NOTES

1	MSR-9	
Q'TY./UNIT	MODEL USED ON	ASS'Y. NO.
SCALE	CODE	
1:1		

THE CONTENTS OF THIS DRAWING ARE THE EXCLUSIVE PROPERTY OF THE TECHNICAL MATERIEL CORP. ITS UNAUTHORIZED USE OR REPRODUCTION IN WHOLE OR IN PART IS STRICTLY FORBIDDEN.

REQ'D.	ITEM	PART NUMBER	DESCRIPTION	SYMBOL
0. POSE LIST OF MATERIAL				
MATERIAL				
THE TECHNICAL MATERIEL CORP. MAMARONECK, NEW YORK				
FINISH				
TITLE				
MARKING IN SIDE OF CHASSIS MARKING PROCESS: AS PER TMC SPEC S-727				
UNLESS OTHERWISE SPECIFIED DIMENSIONS ARE IN INCHES AND INCLUDE CHEMICALLY APPLIED OR PLATED FINISHES		DRAWN		DATE
DECIMALS		G.D.L.		9-25-63
.X ± .05		CHECKED		DATE
.XX ± .01		ELECT. DES.		DATE
.XXX ± .005		MECH. DES.		DATE
TOLERANCES		FRACTIONS		DATE
± 1/64		± 1/64		12-17-63
ANGLES		ANGLES		
± 0° 30'		± 0° 30'		
SHEET 2 OF 2				REV. LTR.

LD-1415

LD-1415