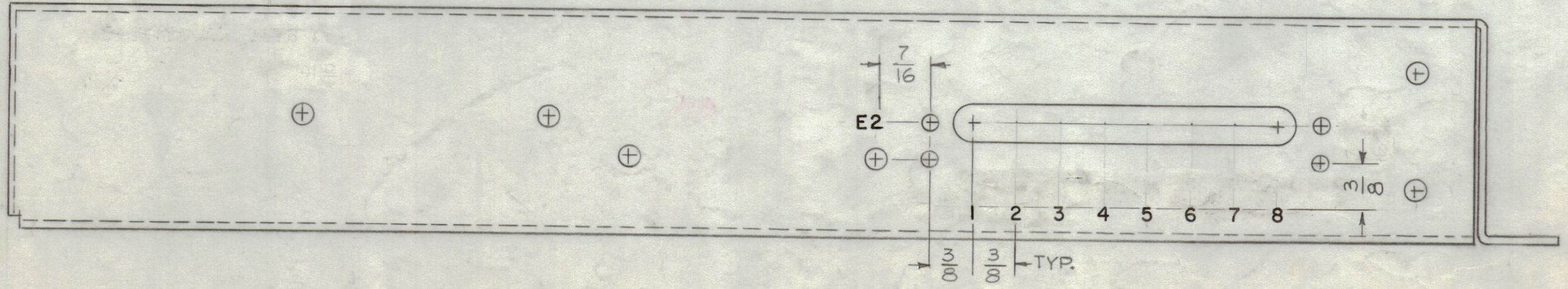
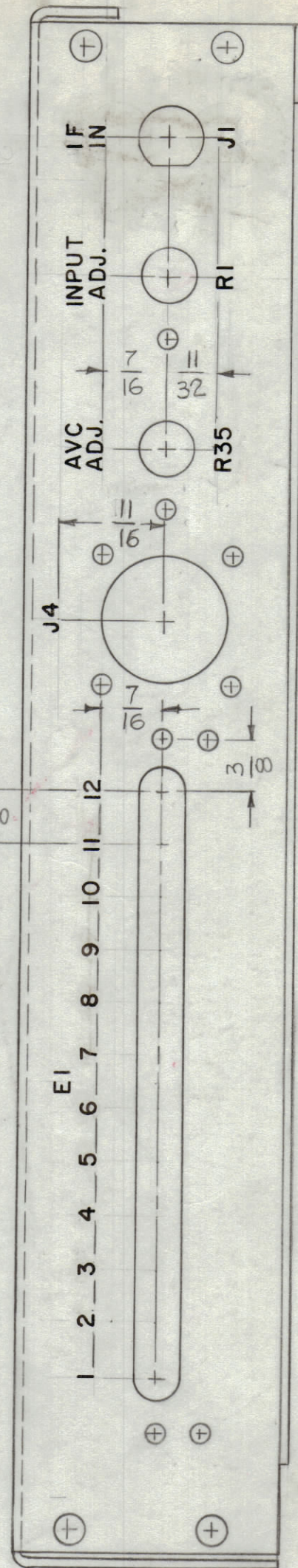
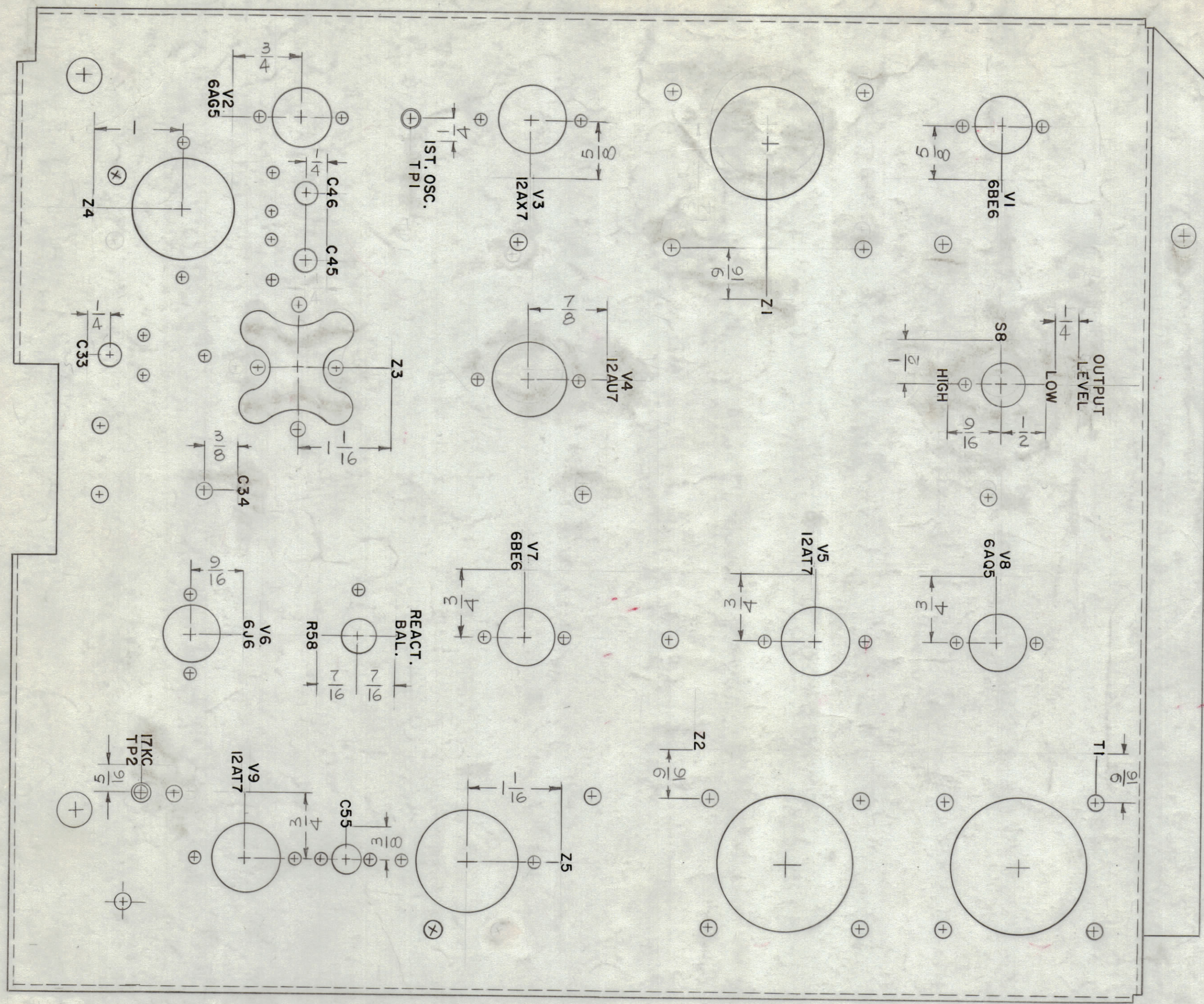


REVISIONS					
ZONE	SYM	DESCRIPTION	DATE	E.M.N. NO.	APPD



MARKING PROCESS: AS PER TMC SPECIFICATION S-727.  
 LETTERING: 1/8 HIGH BLACK GOTHIC, LOCATED AS SHOWN.  
 1/16 SPACING BETWEEN LETTERING GROUPS.

REF: MS - 3598

REQ'D.	ITEM	PART NUMBER	DESCRIPTION	SYMBOL
POSE LIST OF MATERIAL				
THE TECHNICAL MATERIEL CORP. MAMARONECK, NEW YORK				
MARKING TOP OF CHASSIS MARKING METHOD: AS PER TMC SPEC. S-727				
DRAWN G.D.L.		DATE 9-25-63	FINAL APPROVAL BP	
CHECKED		DATE 12-15-63	DATE	
ELECT. DES.		DATE	LD-1415	
MECH. DES.		DATE 3-17-63	SHEET 1 OF 2	
REV. LTR.				

MSP-9		
Q'TY./UNIT	MODEL USED ON	ASS'Y. NO.
SCALE 1:1	CODE A	
THE CONTENTS OF THIS DRAWING ARE THE EXCLUSIVE PROPERTY OF THE TECHNICAL MATERIEL CORP. ITS UNAUTHORIZED USE OR REPRODUCTION IN WHOLE OR IN PART IS STRICTLY FORBIDDEN.		

NOTES

LD-1415