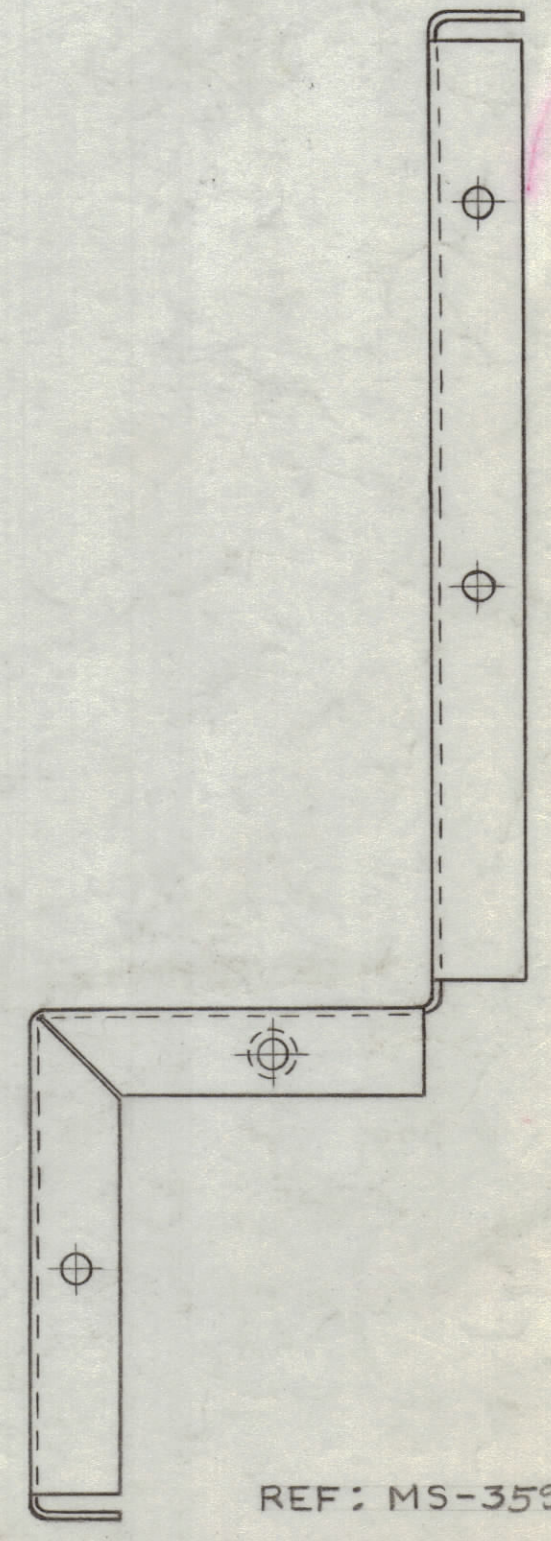
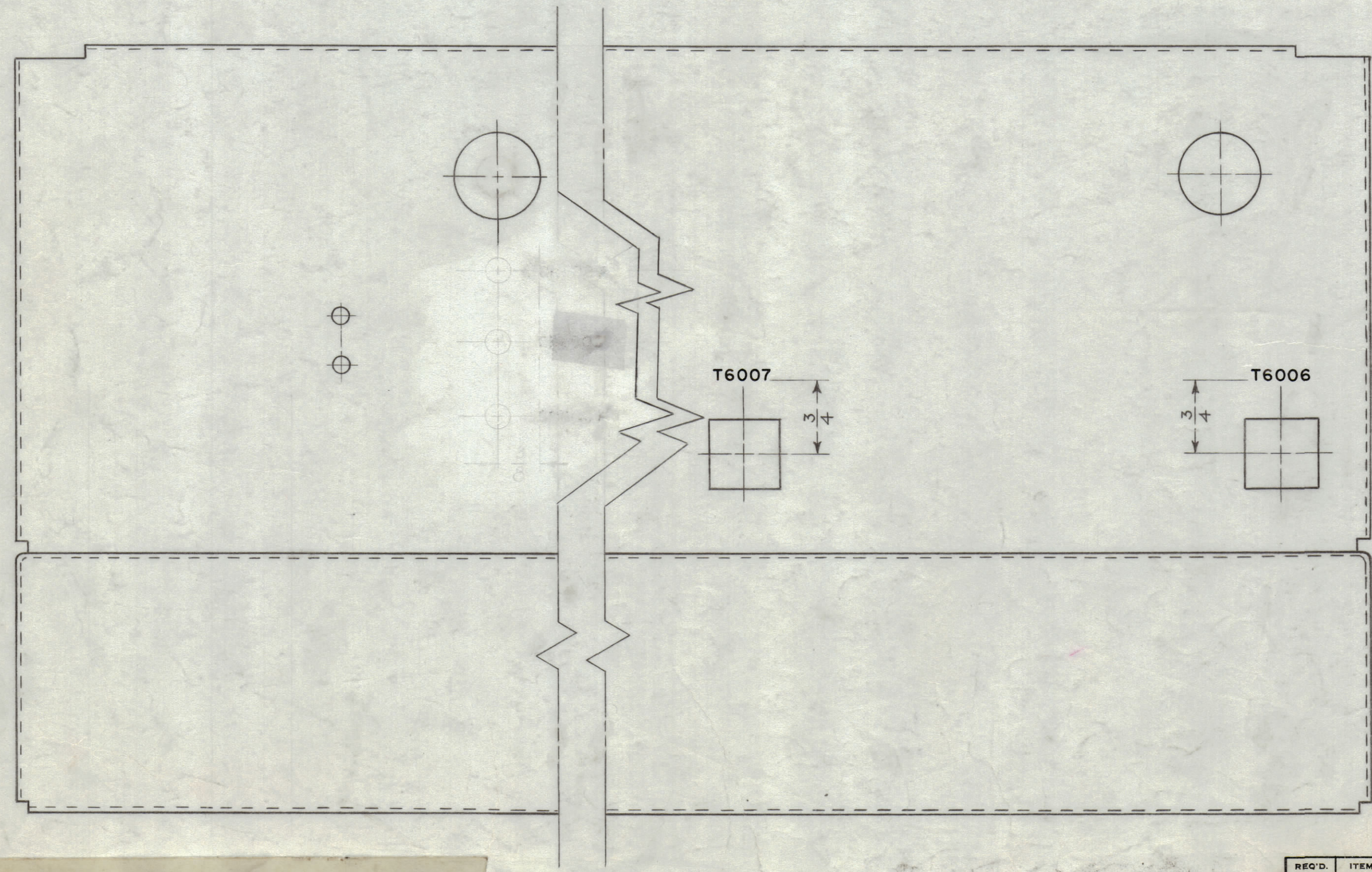
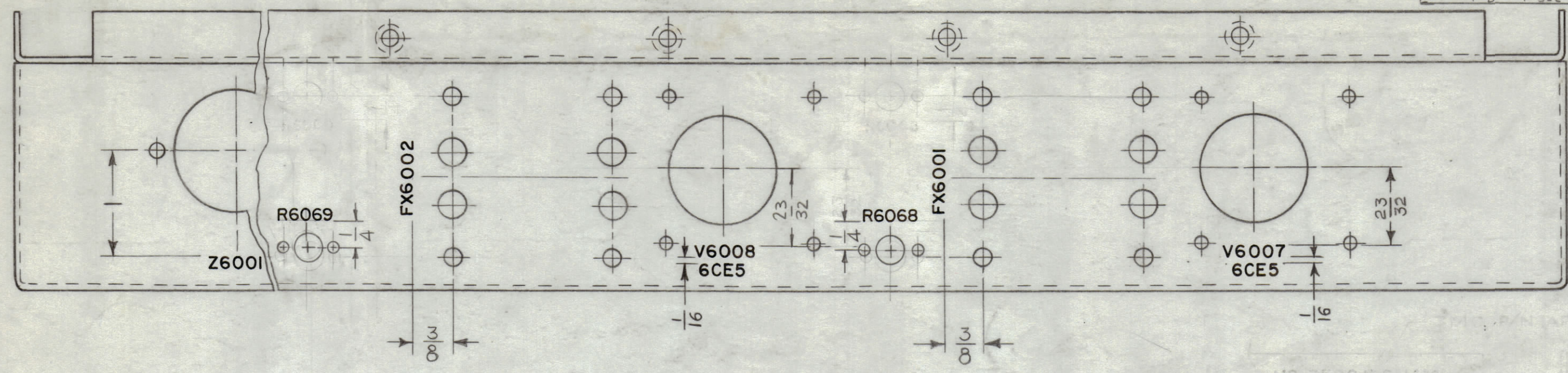


C	HOLES FOR R6068 & R6069 ADDED W/LETT.	3-16-66	15936	WJD	<i>[Signature]</i>
D	HOLES FOR CR6005, CR6006 & CR6007 ADDED	5-24-66	16271	C.H.	<i>[Signature]</i>
E	DELETED CR6005, CR6006 & CR6007.	3-8-66	17928	<i>[Signature]</i>	<i>[Signature]</i>
	R6068, R6069 RE-LOCATED W/HOLES				

REVISIONS							
ZONE	SYM	DESCRIPTION	DATE	E.M.N. NO.	DRAFT	CHKD	APPD
	X1	MARKINGS ADDED & CLARIFIED	12/30	X1	N.P.	<i>[Signature]</i>	
	O	RELEASED FOR PRODUCTION	2/28/67	#	A.M.	<i>[Signature]</i>	
EL	A	"I" HOLE ENLARGED TO CONFORM WITH MS3590 REV. "B".	4/21/65	13965	JL	<i>[Signature]</i>	
	B	SEE SHEET 2 OF 2	7/1/65	14272	<i>[Signature]</i>	<i>[Signature]</i>	



MARKING PROCESS: AS PER TMC SPECIFICATION S-727.
 LETTERING: 1/8 HIGH BLACK GOTHIC, LOCATED AS SHOWN.
 ALL LETTER GROUPS TO BE CENTERED ON HOLES.

REQ'D.	ITEM	PART NUMBER	DESCRIPTION	SYMBOL
Aaltoven LIST OF MATERIAL				
MATERIAL		THE TECHNICAL MATERIEL CORP.		
FINISH		MAMARONECK, NEW YORK		
		TITLE MARKING, CHASSIS, REAR		
		MARKING METHOD, TMC S-727		
DRAWN		DATE	FINAL APPROVAL	
CHECKED		DATE	DATE	
ELECT. DES.		DATE	DATE	
MECH. DES.		DATE	DATE	
		DATE	DATE	

1	MOG-1	ASS'Y. NO.
Q'TY./UNIT	MODEL USED ON	ASS'Y. NO.
SCALE	CODE	
1:1	A	

THE CONTENTS OF THIS DRAWING ARE THE EXCLUSIVE PROPERTY OF THE TECHNICAL MATERIEL CORP. ITS UNAUTHORIZED USE OR REPRODUCTION IN WHOLE OR IN PART IS STRICTLY FORBIDDEN.

NOTES

LD-1414

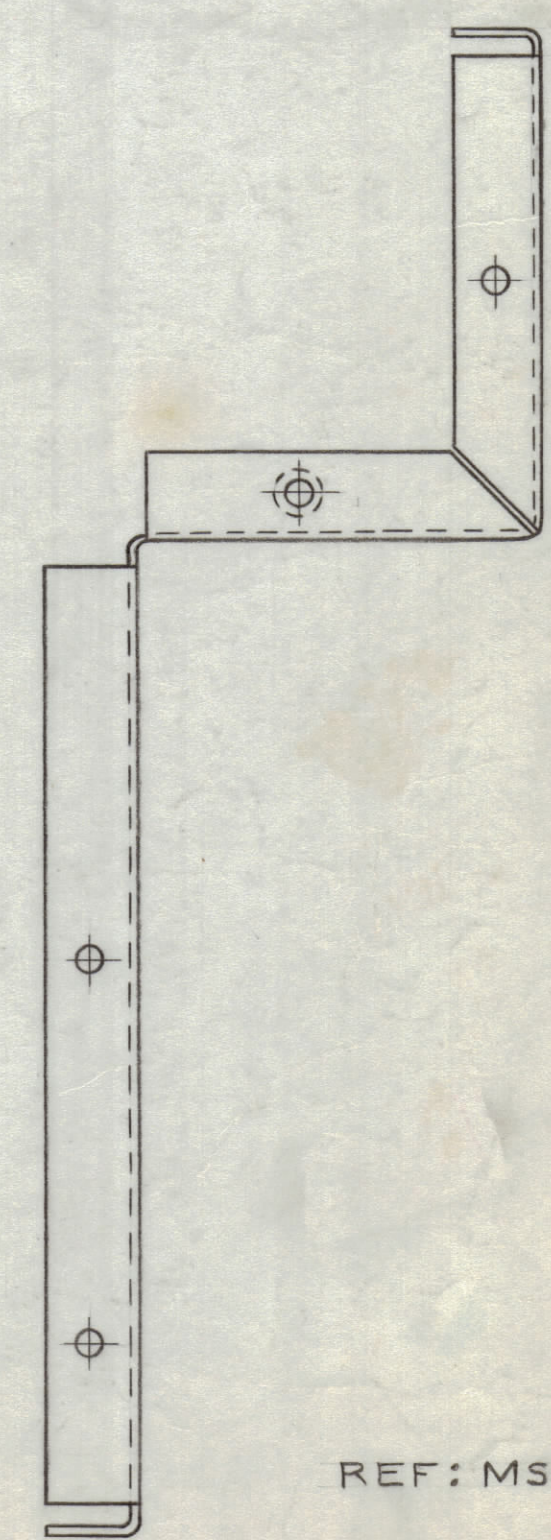
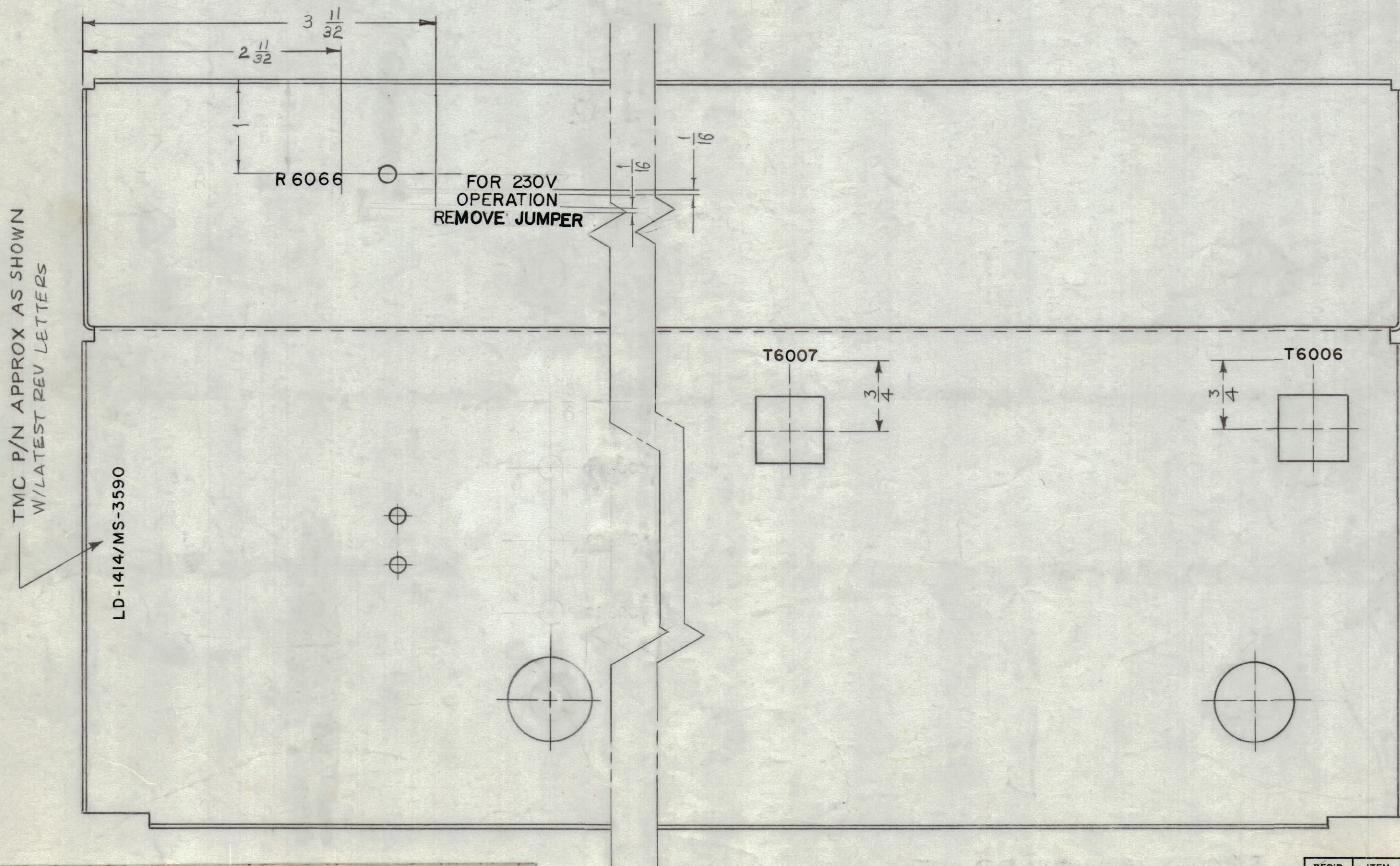
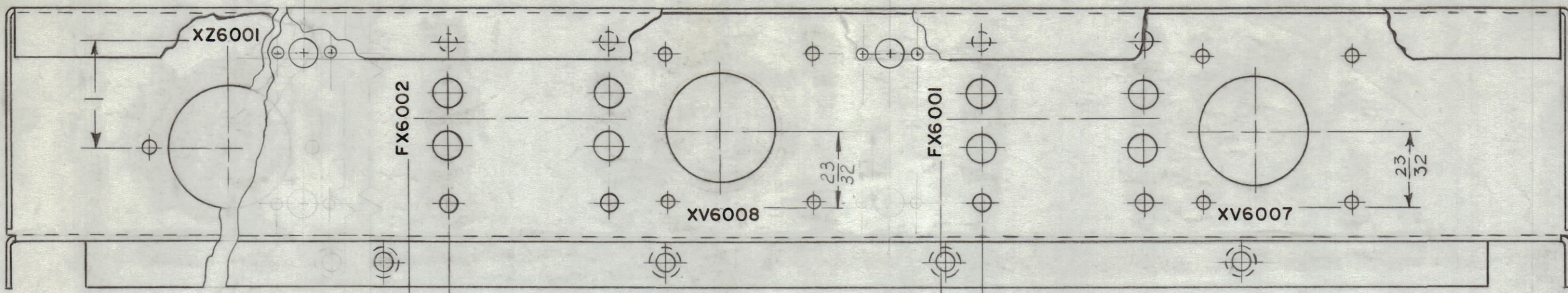


A

STOCK NO. 4401

REVISIONS					
ZONE	SYM	DESCRIPTION	DATE	E.M.N. NO.	DRAFT
CG	D	DELETED CR6005, CR6006 & CR6007.	2/24/66	16271	CH
	E	SEE SHEET 1 OF 2	3-8-67	17928	APPD

REVISIONS					
ZONE	SYM	DESCRIPTION	DATE	E.M.N. NO.	DRAFT
	XI	MARKINGS ADDED & CLARIFIED	12/30	XI	NP
	O	RELEASED FOR PRODUCTION	2/28/64		A.M.
B.S	A	"1" HOLE ENLARGED TO CONFORM WITH MS3590 REV. "B".	4-29-65	13965	APPD
	B	R6066, FOR 230V OPER. REMOVE JUMPER ADDED	7/1/65	14372	D.V.V.
	C	SEE SHEET 1 OF 2	3-16-66	15936	APPD



TMC P/N APPROX AS SHOWN
W/LATEST REV LETTERS

LD-1414/MS-3590

LD-1414 E

REF: MS-3590

MARKING PROCESS: AS PER TMC SPECIFICATION S-727.
LETTERING: 1/8 HIGH BLACK GOTHIC, LOCATED AS SHOWN.
ALL LETTER GROUPS TO BE CENTERED ON HOLES.

1	MCG-1	
Q'TY./UNIT	MODEL USED ON	ASS'Y. NO.
SCALE 1:1	CODE A	

THE CONTENTS OF THIS DRAWING ARE THE EXCLUSIVE PROPERTY OF THE TECHNICAL MATERIEL CORP. ITS UNAUTHORIZED USE OR REPRODUCTION IN WHOLE OR IN PART IS STRICTLY FORBIDDEN.

REQ'D.	ITEM	PART NUMBER	DESCRIPTION	SYMBOL
Aaltanen LIST OF MATERIAL				
MATERIAL		THE TECHNICAL MATERIEL CORP. MAMARONECK, NEW YORK		
FINISH		TITLE MARKING, CHASSIS, REAR MARKING METHOD, TMC S-727		
DRAWN		DATE	FINAL APPROVAL	
CHECKED		DATE	DATE	
ELECT. DES.		DATE	DATE	
MECH. DES.		DATE	DATE	

NOTES

LD-1414 E
SHEET 2 OF 2
REV. LTR.