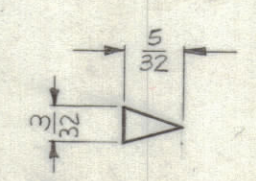
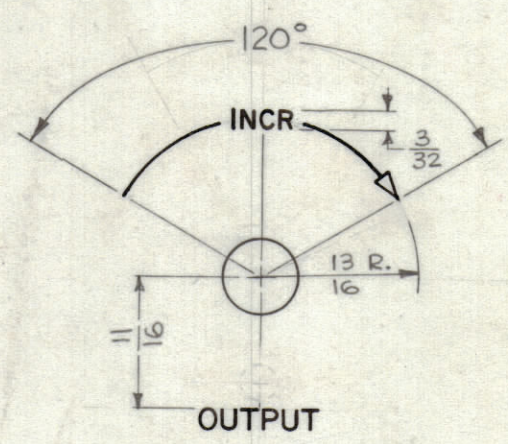


FRONT OF PANEL SHOWN



~ ARROWHEAD DETAIL ~
(SCALE 2 TO 1)

HEIGHT OF LETTERS	DEPTH OF STROKE	WIDTH OF STROKE
3/32	.010	.015
1/8	.010	.020
LINES	.010	.015
ARROWHEADS	.010	

- ~ UNLESS OTHERWISE SPECIFIED ~
- 1~ ALL ENGRAVING TO BE 1/8 HIGH, WHITE FILLED GOTHIC (SEE CHART).
 - 2~ ALL LETTER GROUPS TO BE CENTERED ON HOLES.
 - 3~ ALL LINES TO BE WHITE FILLED (SEE CHART).
 - 4~ ALL ARROWHEADS 3/32 x 5/32, WHITE OUTLINE FILL. (SEE CHART)

REF: MS-3366(8)

SYM	ZONE	DESCRIPTION	DATE	CH. NO.	DRAFTS	CHECKER	ENG. APP.
A	FA	CHANGED "POWER ON" TO "B+ ON"	9-26-63	10,022	G.D.L.	<i>[Signature]</i>	<i>[Signature]</i>

UNLESS OTHERWISE SPECIFIED:
DIMENSIONS ARE IN INCHES
TOLERANCES ON
FRACTIONS ± 1/64 DECIMALS ± .005 ANGLES ± 1/2°

SCALE FULL

MAXIMUM ALLOWABLE TOLERANCES HAVE BEEN DETERMINED AND ANY DEVIATIONS WILL BE CAUSE FOR REJECTION. REMOVE ALL BURRS & SHARP EDGES

REQ. PER UNIT	MODEL	SECTION	ASS'Y. NO.	DATE
1	LFA-4			5-1-63

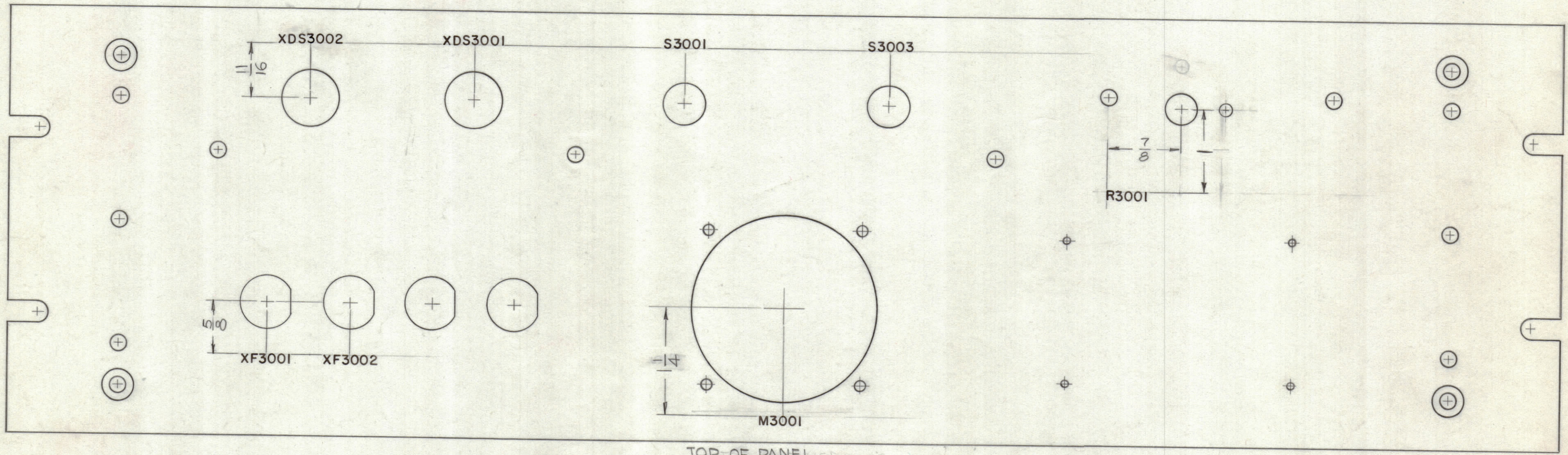
USED ON

REQ. ITEM	PART NO.	Q. POSE	DESCRIPTION	SYMBOL
			THE TECHNICAL MATERIEL CORP. MAMARONECK, NEW YORK	
			ENGRAVING, FRONT PANEL	
			MATERIAL	
			TYPE & TEMPER	
			HEAT TREAT. SPEC.	
			FINISH & SPEC. NO.	

DRAWN: *[Signature]* CHECKED: *[Signature]* FINAL APPROVAL: *[Signature]* 6-11-63

LD-1315 A

SHEET 1 OF 2



TOP OF PANEL
REAR OF PANEL SHOWN

-NOTES-
MARKING PROCESS : AS PER TMC SPECIFICATION 5-727
LETTERING : 1/8 HIGH, BLACK, GOTHIC LOCATED AS SHOWN

REF: MS-3366(B)

SYM	ZONE	DESCRIPTION	DATE	CH. NO.	DRAFTS	CHECKER	ENG. APP.
A	-	SEE SHEET 1 OF 2	9-26-63	10,022	G.D.L	[Signature]	[Signature]
UNLESS OTHERWISE SPECIFIED:		SCALE FULL					
DIMENSIONS ARE IN INCHES		MAXIMUM ALLOWABLE TOLERANCES HAVE BEEN DETERMINED AND ANY DEVIATIONS WILL BE CAUSE FOR REJECTION. REMOVE ALL BURRS & SHARP EDGES					
TOLERANCES ON		FRACTIONS ± 1/64 DECIMALS ± .005 ANGLES ± 1/2°					
TMC FORM NO. 110							

REQ. PER UNIT	MODEL	SECTION	ASS'Y. NO.	DATE
1	LFA-4			5-1-63
USED ON				

REQ. ITEM	PART NO.	DESCRIPTION	SYMBOL
		THE TECHNICAL MATERIEL CORP. MAMARONECK, NEW YORK	
		LETTERING, BACK OF FRONT PANEL	
		MATERIAL	
		TYPE & TEMPER	
		HEAT TREAT. SPEC.	
		FINISH & SPEC. NO.	
		DRAWN	CHECKED
		[Signature]	[Signature]
		DATE	FINAL APPROVAL
			[Signature]
			[Signature]
			LD-1315
			A
			SHEET 2 OF 2
			DEFIANCE NO. 1020 36992