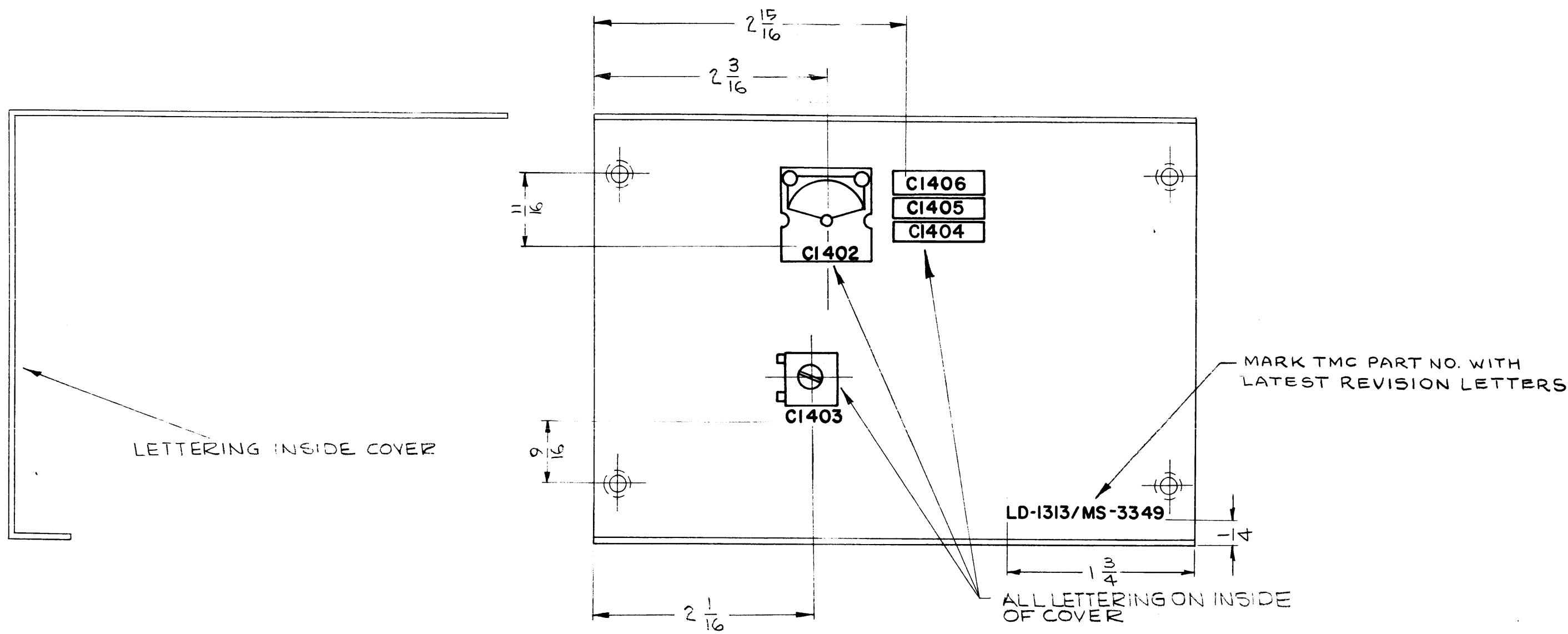


REVISIONS						
SYM	DESCRIPTION	DATE	E.M.N. NO.	DRAFT	CHKD	APPD
A	CI406 ADDED, CI404 & CI405 RELOCATED	5.25.64	11450	WJB	@	MG



UNLESS OTHERWISE SPECIFIED:
 1. ALL LETTERING TO BE 1/8 HIGH
 BLACK GOTHIC, PER TMC SPEC-5727
 2. ALL LINES WIDTH OF STROKE ~ .015
 3. SIZE AND LOCATION OF COMPONENTS
 APPROX. AS SHOWN.

REF: MS3349

REQ'D.	ITEM	PART NUMBER	DESCRIPTION	SYMBOL
KOHN LIST OF MATERIAL				
MATERIAL			THE TECHNICAL MATERIEL CORP. MAMARONECK, NEW YORK	
FINISH			TITLE MARKING, COVER, WRAPAROUND MARKING PROCESS: PERTMC SPEC. 5727	
UNLESS OTHERWISE SPECIFIED DIMENSIONS ARE IN INCHES AND INCLUDE CHEMICALLY APPLIED OR PLATED FINISHES			DRAWN <i>R. Kohn</i>	DATE 5-7-63
			CHECKED <i>H. J.</i>	DATE 5-12-63
			ELECT. DES. R. KOHN	DATE 5-13-63
			MECH. DES. W. JORDAN	DATE 5/13/63
			FINAL APPROVAL <i>[Signature]</i>	DATE
			LD-1313	A
			SHEET	REV. LTR.

1	TTR-10	AX-412
QTY./UNIT	MODEL USED ON	ASS'Y. NO.
SCALE	CODE A	

THE CONTENTS OF THIS DRAWING ARE THE EXCLUSIVE PROPERTY OF THE TECHNICAL MATERIEL CORP. ITS UNAUTHORIZED USE OR REPRODUCTION IN WHOLE OR IN PART IS STRICTLY FORBIDDEN.

NOTES