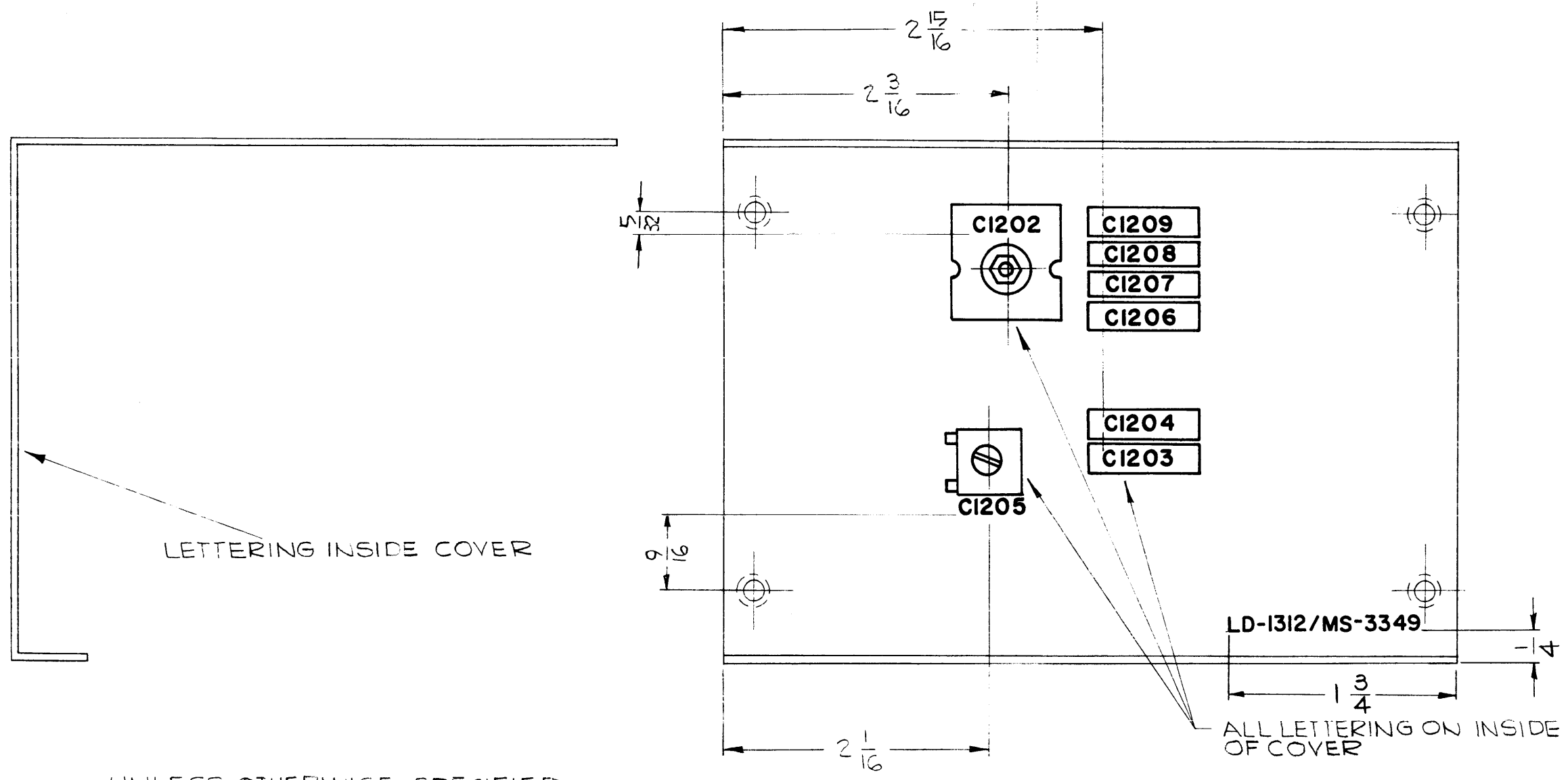


REVISIONS

SYM	DESCRIPTION	DATE	E.M.N. NO.	DRAFT	CHKD	APPD
-----	-------------	------	------------	-------	------	------



- UNLESS OTHERWISE SPECIFIED:
1. ALL LETTERING TO BE 1/8 HIGH BLACK GOTHIC, PER TMC SPEC. 5727
 2. ALL LINES: WIDTH OF STROKE = .015
 3. SIZE AND LOCATION OF COMPONENTS APPROX AS SHOWN.

REF: MS3349

REQ'D.	ITEM	PART NUMBER	DESCRIPTION	SYMBOL
KOHN LIST OF MATERIAL				
MATERIAL			THE TECHNICAL MATERIEL CORP. MAMARONECK, NEW YORK	
FINISH			TITLE MARKING, COVER, WRAPAROUND MARKING PROCESS: PER TMC SPEC. 5727	
UNLESS OTHERWISE SPECIFIED DIMENSIONS ARE IN INCHES AND INCLUDE CHEMICALLY APPLIED OR PLATED FINISHES			DRAWN <i>[Signature]</i> DATE 5-9-63	FINAL APPROVAL <i>[Signature]</i> DATE
			CHECKED <i>[Signature]</i> DATE 5-12-63	
			ELECT. DES. RKOHN DATE 5-13-63	LD-1312
			MECH. DES. W. JORDAN DATE 5/13/63	
				SHEET
				REV. LTR.

1	TTR-10	AX-410
QTY./UNIT	MODEL USED ON	ASSY. NO.
SCALE	CODE A	
THE CONTENTS OF THIS DRAWING ARE THE EXCLUSIVE PROPERTY OF THE TECHNICAL MATERIEL CORP. ITS UNAUTHORIZED USE OR REPRODUCTION IN WHOLE OR IN PART IS STRICTLY FORBIDDEN.		

NOTES