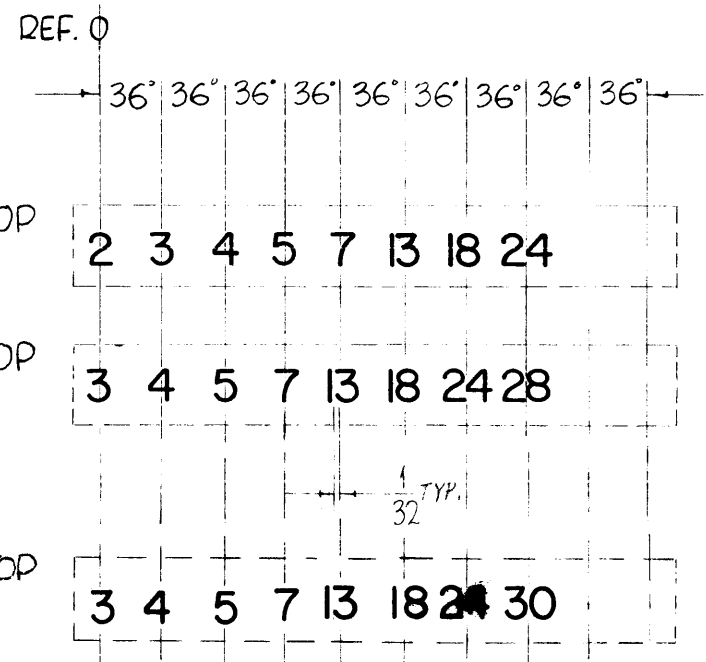
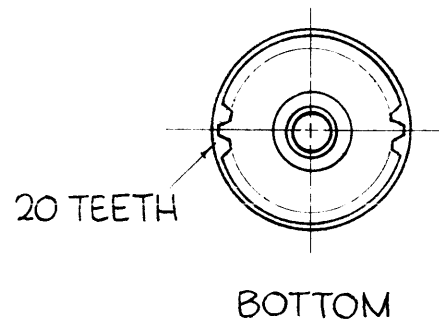


LD-SHOWN FOR REF ONLY.

3 4



WHEEL 1
(LD-1300-1)

WHEEL 2
(LD-1300-2)

OR

WHEEL-2
(LD-1300-3)

WHEEL DETAIL

WHEEL LETTERING DETAILS

LD-1300 A

REVISIONS

SYM	DESCRIPTION	DATE	E.M.N. NO.	DRAFT	CHKD	APPD
0	ORIGINAL RELEASE FOR PRODUCTION	3-3-64		A.M.		
A	LD1300-3 ADDED	12-5-67	18647	<i>Enf</i>	<i>[Signature]</i>	

FOR TMC USE :

USE BLANK WHEELS OF CY-106 AFTER DISASSEMBLING AS PER STEPS 1 THRU 3 OF TMC DWG. A-3116-3. OR A 3116-11

FIGURES -18 POINT ALTERNATE BLACK GOTHIC NO.2.

BACKGROUND - WHITE

SPACING - SINGLE FIGURES CENTERED ON 36° ϕ
DOUBLE FIGURES 1/32" APART.

USE DWG. LD-617 FOR 3rd WHEEL.

NOTES

Q'TY./UNIT	MODEL USED ON	ASS'Y. NO.
#	GPT-40K(1)4	AC-175
SCALE	CODE	
#	A	

THE CONTENTS OF THIS DRAWING ARE THE EXCLUSIVE PROPERTY OF THE TECHNICAL MATERIEL CORP. ITS UNAUTHORIZED USE OR REPRODUCTION IN WHOLE OR IN PART IS STRICTLY FORBIDDEN.

REQ'D.	ITEM	PART NUMBER	DESCRIPTION	SYMBOL
F. BUDETTI LIST OF MATERIAL				
MATERIAL			THE TECHNICAL MATERIEL CORP. MAMARONECK, NEW YORK	
FINISH			TITLE LETTERING, WHEELS, AC-175 ASSY	
UNLESS OTHERWISE SPECIFIED DIMENSIONS ARE IN INCHES AND INCLUDE CHEMICALLY APPLIED OR PLATED FINISHES			DRAWN <i>John C. Biele</i>	DATE 11-6-63
DECIMALS .X \pm .05 .XX \pm .01 .XXX \pm .005			CHECKED <i>[Signature]</i>	DATE
FRACTIONS \pm 1/64 ANGLES \pm 0° 30'			ELECT. DES. <i>[Signature]</i>	DATE
TOLERANCES			MECH. DES. <i>[Signature]</i>	DATE
			FINISH APPROVAL <i>[Signature]</i> 2/9/65	DATE
			LD-1300	A
			SHEET	REV. LTR.