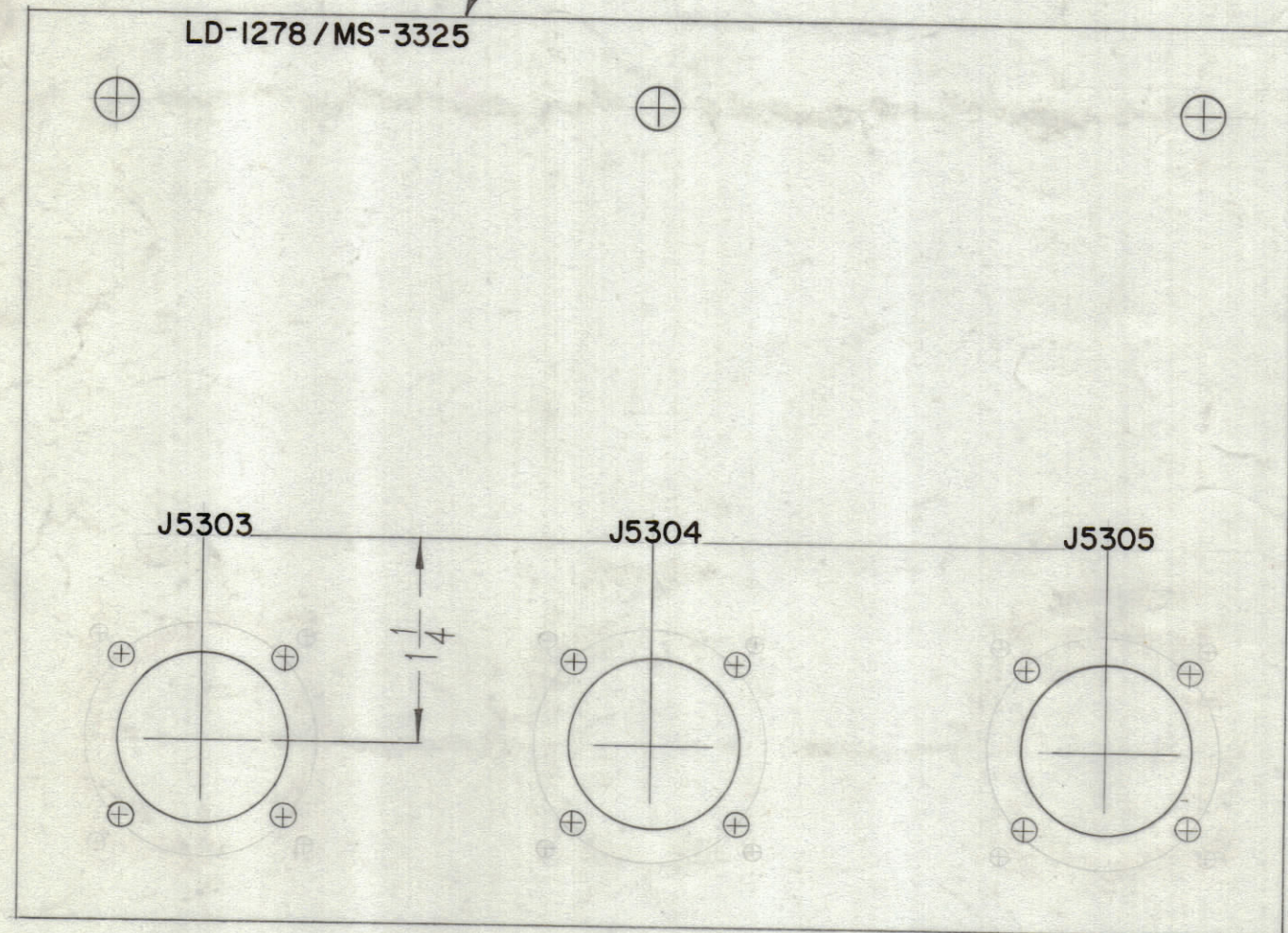
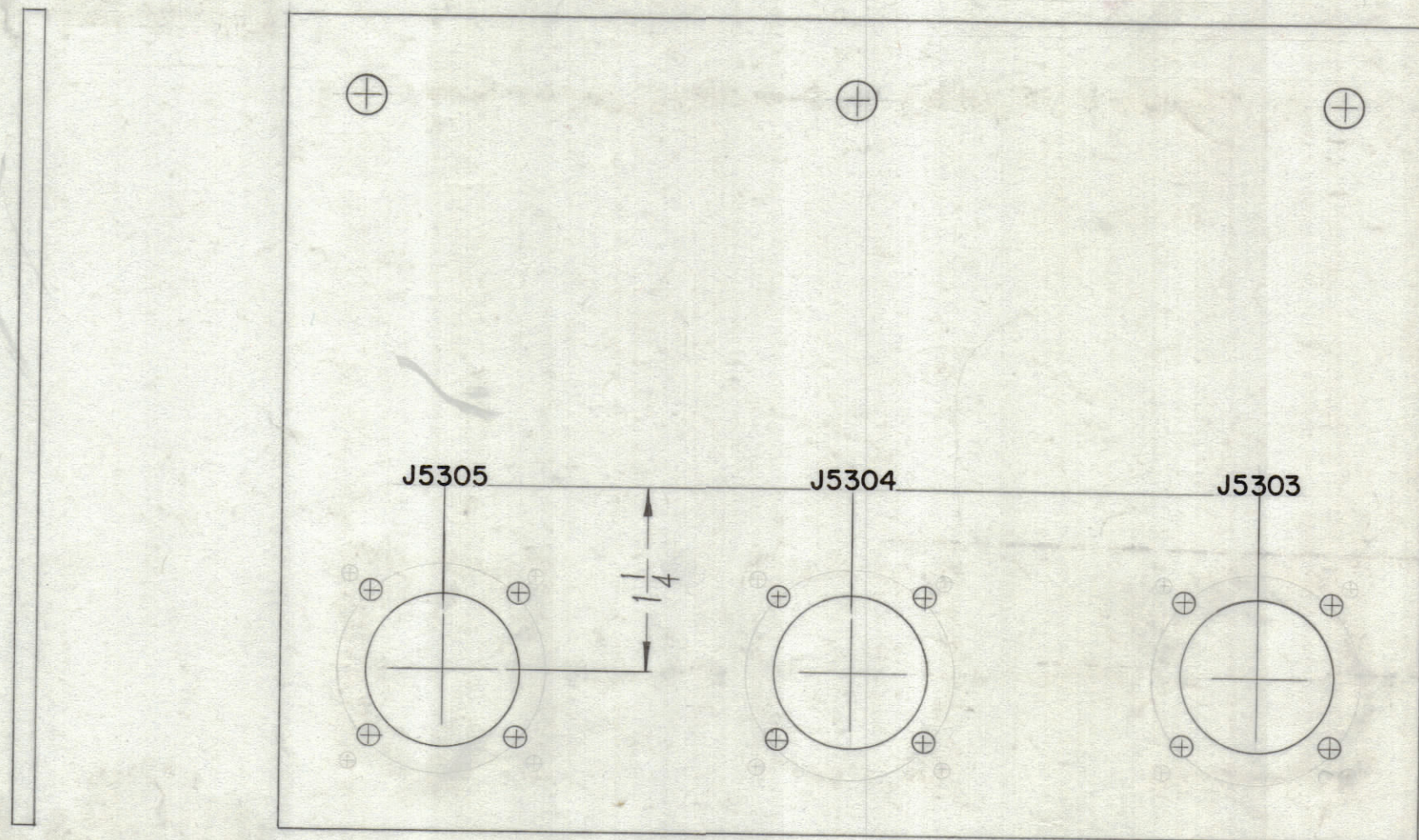


REVISIONS							
ZONE	SYM	DESCRIPTION	DATE	E.M.N. NO.	DRAFT	CHKD	APPD
#	0	ORIGINAL RELEASE FOR PRODUCTION	5/26/64	0	A.M.		
-	A	CLERICAL CHANGE	9.3.64	+	W.B.		

MARK TMC PART NO.
WITH LATEST REVISION
LETTER.



~ FRONT VIEW ~



~ REAR VIEW ~

MARKING PROCESS: AS PER TMC SPECIFICATION S-727.
LETTERING: 1/8 HIGH BLACK GOTHIC, LOCATED AS SHOWN.

LD-1278
A

REF: MS 3325

REQ'D.	ITEM	PART NUMBER	DESCRIPTION	SYMBOL
E. BUDETTI LIST OF MATERIAL				
MATERIAL		THE TECHNICAL MATERIEL CORP. MAMARONECK, NEW YORK		
FINISH		MARKING, CONNECTOR MTG. PLATE (PA FANS)		
UNLESS OTHERWISE SPECIFIED DIMENSIONS ARE IN INCHES AND INCLUDE CHEMICALLY APPLIED OR PLATED FINISHES		DRAWN W.A. FRANCO	DATE 9-25-63	FINAL APPROVAL RAC
DECIMALS .X ± .05 .XX ± .01 .XXX ± .005		CHECKED aa	DATE	DATE
FRACTIONS ± 1/64 ANGLES ± 0° 30'		ELECT. DES. W.B.	DATE	DATE
TOLERANCES		MECH. DES. W.B.	DATE	DATE
SHEET				REV. LTR.

Q'TY./UNIT	GPT-200K	AX-395
SCALE	MODEL USED ON	ASS'Y. NO.
#	A	

NOTES

THE CONTENTS OF THIS DRAWING ARE THE EXCLUSIVE PROPERTY
OF THE TECHNICAL MATERIEL CORP. ITS UNAUTHORIZED USE OR
REPRODUCTION IN WHOLE OR IN PART IS STRICTLY FORBIDDEN.

LD-1278
A