

THE CONTENTS OF THIS DRAWING ARE THE EXCLUSIVE PROPERTY OF THE TECHNICAL MATERIEL CORP. ITS UNAUTHORIZED USE FOR REPRODUCTION IN WHOLE OR IN PART IS STRICTLY FORBIDDEN.

REQ. PER UNIT

1

USED ON

MODEL

GPT-200K

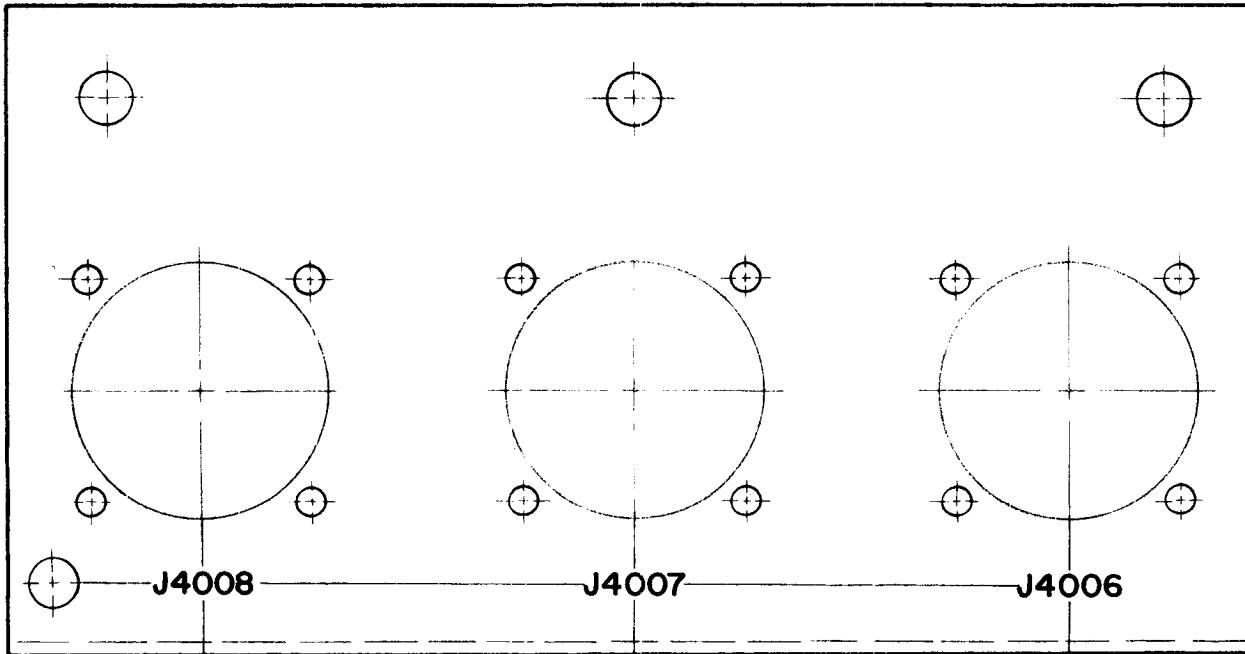
ASS'Y. NO.

AX-392

DATE

7-15-63

LD-1271



MARKING PROCESS:
AS PER TMC SPEC.
S-727.

LETTERING:
1/8 HIGH BLACK GOTHIC,
LOCATED AS SHOWN.

REF: MS-3305

							REQ. ITEM	PART NO.	F. BUDETTI	DESCRIPTION	SYMBOL	
							STOCK SIZE		THE TECHNICAL MATERIEL CORP. MAMARONECK, NEW YORK			
O ORIGINAL RELEASE FOR PRODUCTION							5/21/64	O	A.M.	LETTERING BRACKET RECEPTACLE MTG.		
SYM	DESCRIPTION	DATE	CH. NO.	DRAFTS	CHECKER	ENG. APP.	MATERIAL					
UNLESS OTHERWISE SPECIFIED DIMENSIONS ARE IN INCHES AND INCLUDE CHEMICALLY APPLIED OR PLATED FINISHES		SCALE	1-1						SRG	aa	<i>[Signature]</i>	
DECIMALS .X ± .05 .XX ± .01 .XXX ± .005		TOLERANCES	FRACTIONS ± 1/64 ANGLES ± 0° 30'	CODE	A		TYPE & TEMPER	HEAT TREAT. SPEC.	DRAWN	CHECKED	FINAL APPROVAL	
							FINISH & SPEC. NO.		<i>[Signature]</i>	<i>[Signature]</i>	LD-1271	
							ELEC. DES. APP.		MECH. DES. APP.			