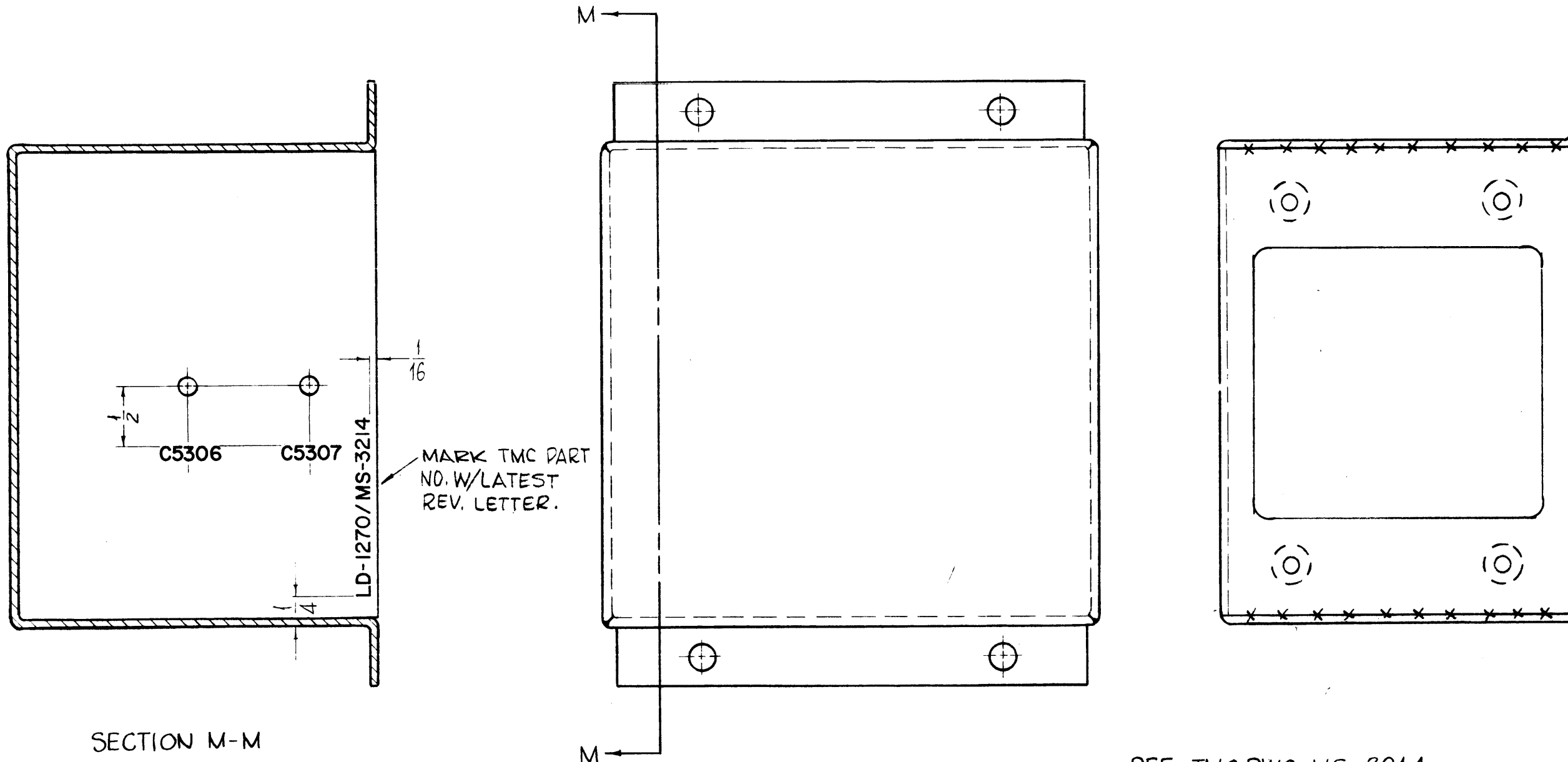


LD-1270 0

THE CONTENTS OF THIS DRAWING ARE THE EXCLUSIVE PROPERTY OF THE TECHNICAL MATERIEL CORP. ITS UNAUTHORIZED USE OR REPRODUCTION IN WHOLE OR IN PART IS TRICLTLY FORBIDDEN.



SECTION M-M

MARKING PROCESS: AS PER TMC SPECIFICATION S-727.
 LETTERING: 1/8 HIGH BLACK GOTHIC, LOCATED AS SHOWN.

REF. TMC DWG. MS-3214

0	ORIGINAL RELEASE FOR PROD.	5-18-64		SRG		
SYM	DESCRIPTION	DATE	CH. NO.	DRAFTS	CHECKER	ENG. APP.
UNLESS OTHERWISE SPECIFIED:		SCALE: 1" = 1"				
DIMENSIONS ARE IN INCHES		MAXIMUM ALLOWABLE TOLERANCES HAVE BEEN DETERMINED AND ANY DEVIATIONS WILL BE CAUSE FOR REJECTION.				
TOLERANCES ON		REMOVE ALL BURRS AND SHARP EDGES				
FRACTIONS ± 1/64		DECIMALS ± .05		ANGLES ± 1/2°		

1	GPT-200K	AX-395	A-2017	7-8-63
REQ. PER UNIT	MODEL	SECTION	ASS'Y. NO.	DATE
USED ON				

REQ.	ITEM	PART NO.	F. BUDETTI	DESCRIPTION	SYMBOL
			THE TECHNICAL MATERIEL CORP. MAMARONECK, NEW YORK		
STOCK SIZE			LETTERING, CHASSIS, METERING CIRCUIT MTG.		
MATERIAL			John C. Biele	aa	Roe
TYPE & TEMPER		HEAT TREAT. SPEC.	DRAWN	CHECKED	FINAL APPROVAL
			JB	aa	LD-1270 0
FINISH & SPEC. NO.			ELEC. DES. APP.	MECH. DES. APP.	