

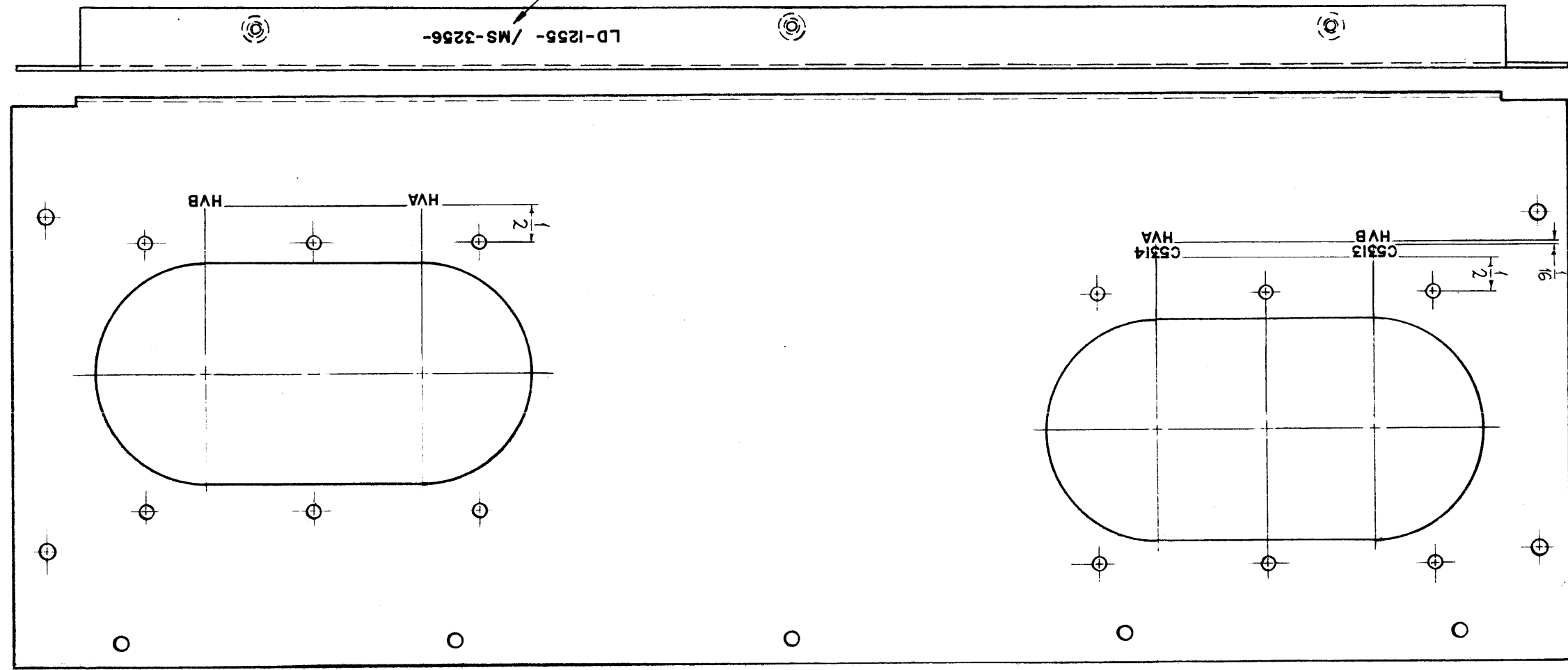
LD-1255 0

REVISIONS

SYM	DESCRIPTION	DATE	E.M.N. NO.	DRAFT	CHKD	APPD
	HVA, HVB, HVD-C5304, HVD-C5303 RELOCATED	10-24-63				
0	ORIGINAL RELEASE FOR PRODUCTION	5-6-64		SRG		

MARK TMC PART NO.
W/LATEST REV. LETTERS

LD-1255-MS-3256



REF - TMC DWG. MS-3256

REQ'D.	ITEM	PART NUMBER	DESCRIPTION	SYMBOL
F. BUDETTI LIST OF MATERIAL				
MATERIAL			THE TECHNICAL MATERIEL CORP. MAMARONECK, NEW YORK	
FINISH			TITLE LETTERING, PLATE, SIDE RIGHT	
UNLESS OTHERWISE SPECIFIED DIMENSIONS ARE IN INCHES AND INCLUDE CHEMICALLY APPLIED OR PLATED FINISHES			DRAWN John C. Biele CHECKED JG ELECT. DES. JTB MECH. DES. MC	DATE 5/7/63 DATE 5/6/64 DATE 5/6/64
Q'TY./UNIT: 1 MODEL USED ON: GPT-200K (AX-395) ASS'Y. NO.: A-3258 SCALE: 1/2"=1" CODE: A			FINAL APPROVAL [Signature] LD-1255	DATE 0
THE CONTENTS OF THIS DRAWING ARE THE EXCLUSIVE PROPERTY OF THE TECHNICAL MATERIEL CORP. ITS UNAUTHORIZED USE OR REPRODUCTION IN WHOLE OR IN PART IS STRICTLY FORBIDDEN.			DECIMALS .X ± .05 .XX ± .01 .XXX ± .005	FRACTIONS ± 1/64 ANGLES ± 0° 30'
NOTES UNLESS OTHERWISE SPECIFIED MARKING PROCESS - AS PER TMC SPECIFICATION S727. LETTERING - 1/8 HIGH GOTHIC, BLACK.			SHEET	REV. LTR.