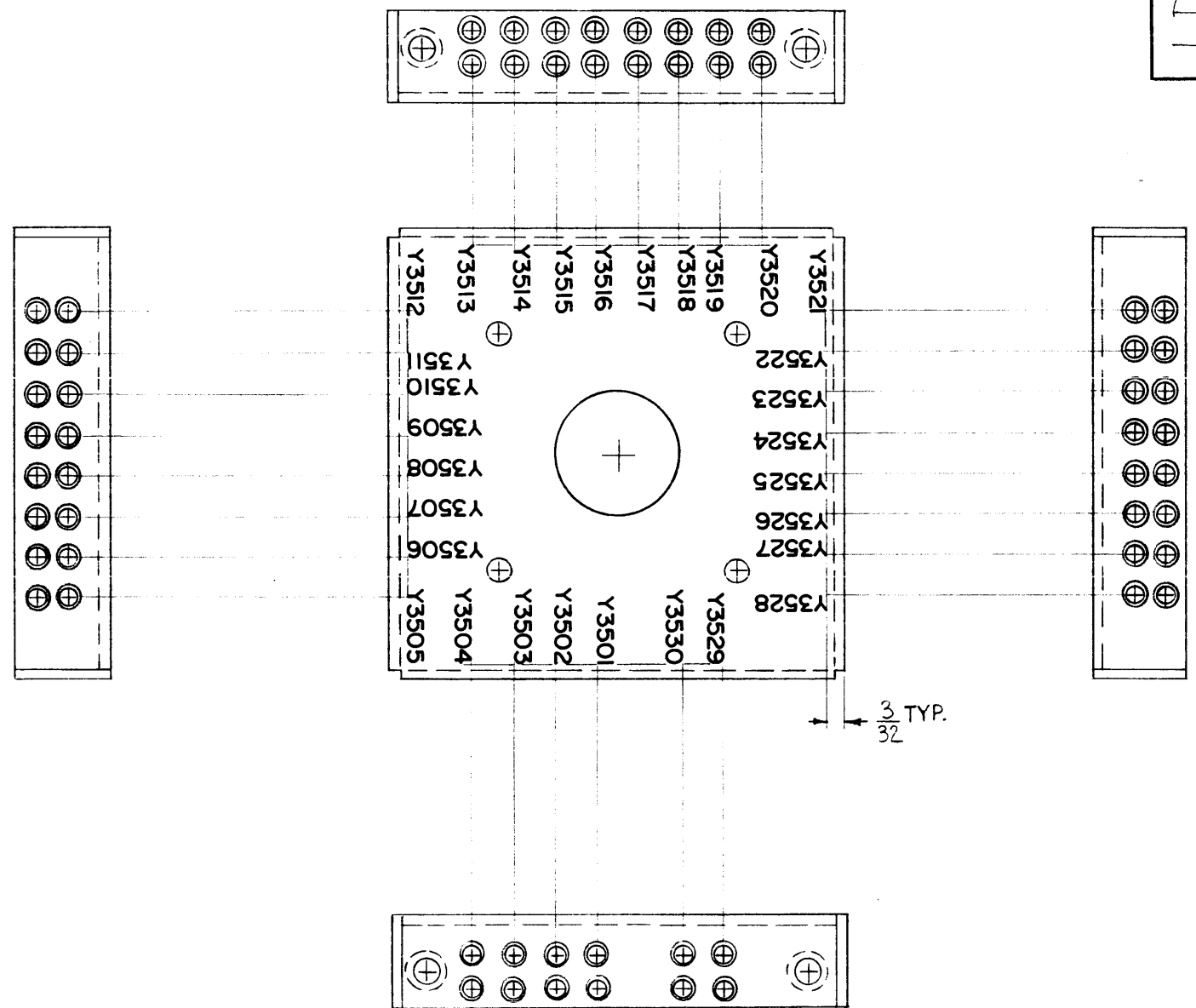


LD-1101

REVISIONS

SYM	DESCRIPTION	DATE	E.M.N. NO.	DRAFT	CHKD	APPD
-----	-------------	------	------------	-------	------	------



NOTICE TO PERSONS RECEIVING THIS DRAWING

THE TECHNICAL MATERIEL CORPORATION claims proprietary right in the material disclosed hereon. This drawing is issued in confidence for engineering information only and may not be reproduced or used to manufacture anything shown hereon without permission from THE TECHNICAL MATERIEL CORPORATION to the user. This drawing is loaned for mutual assistance and is subject to recall at any time.

Property of:
THE TECHNICAL MATERIEL CORPORATION
 MAMARONECK, NEW YORK

REF: MS-2809 (2)

~UNLESS OTHERWISE SPECIFIED~
 3/32 HIGH BLACK LUSTERLESS, GOTHIC LETTERING.

ALL LETTERING TO BE CENTERED ON HOLES.
 MARKING PROCESS: AS PER TMC SPECIFICATION S-727

NOTES

1	HFS-1	3500
Q'TY./UNIT	MODEL USED ON	ASS'Y. NO.
SCALE	CODE	

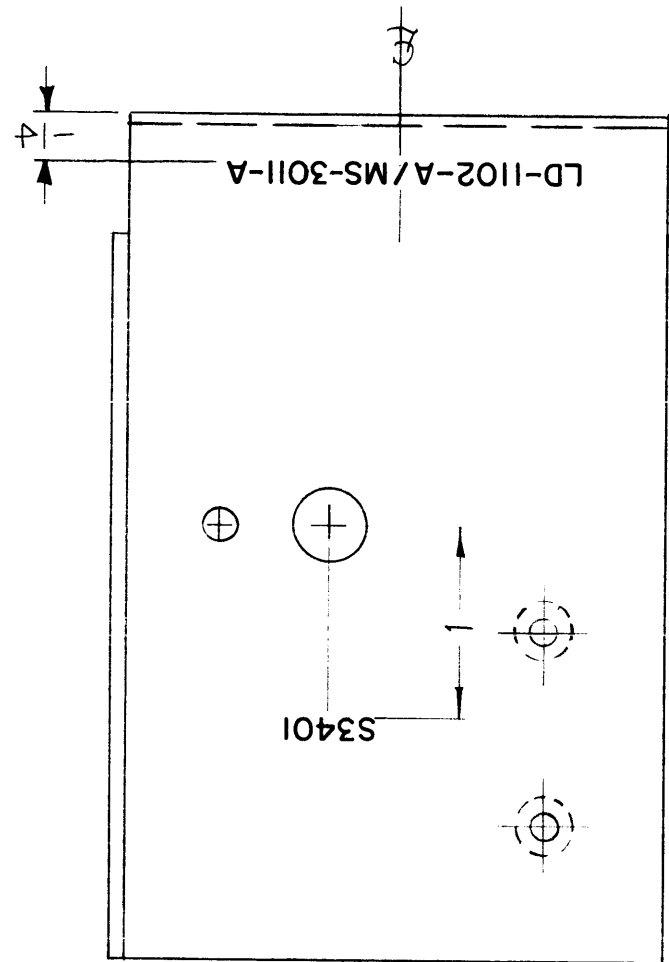
THE CONTENTS OF THIS DRAWING ARE THE EXCLUSIVE PROPERTY OF THE TECHNICAL MATERIEL CORP. ITS UNAUTHORIZED USE OR REPRODUCTION IN WHOLE OR IN PART IS STRICTLY FORBIDDEN.

REQ'D.	ITEM	PART NUMBER	DESCRIPTION	SYMBOL
J. STRUMER		LIST OF MATERIAL		
MATERIAL			THE TECHNICAL MATERIEL CORP. MAMARONECK, NEW YORK	
FINISH			TITLE LETTERING, BRACKET, MOUNTING CRYSTAL (3500 DECK)	
UNLESS OTHERWISE SPECIFIED DIMENSIONS ARE IN INCHES AND INCLUDE CHEMICALLY APPLIED OR PLATED FINISHES			DRAWN 5-25-62	FINAL APPROVAL DATE 8-17-62
DECIMALS .X ± .05 .XX ± .01 .XXX ± .005			CHECKED 8-7-62	DATE 8-7-62
FRACTIONS ± 1/64 ANGLES ± 0° 30'			ELECT. D. 8-7-62	DATE 8-7-62
TOLERANCES			MECH. D. 8-7-62	DATE 8-7-62
LD-1101				REV. LTR.

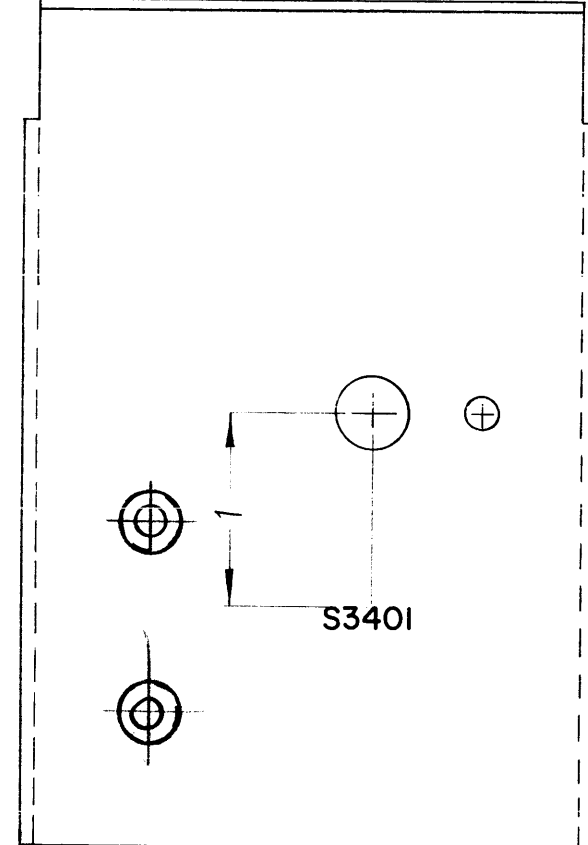
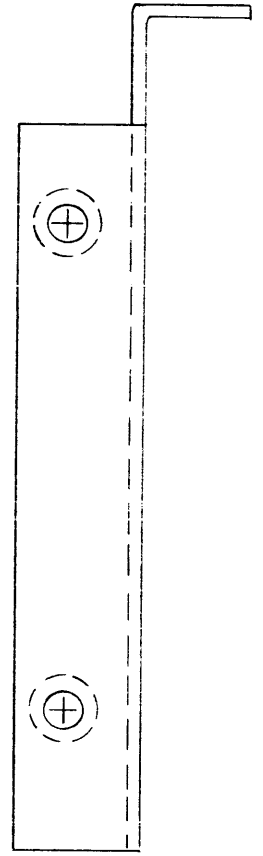
LD-1102 A

REVISIONS

SYM	DESCRIPTION	DATE	E.M.N. NO.	DRAFT	CHKD	APPD
A	LD-1102-A/MS-3011-A ADDED	11-27-63	10454	<i>[Signature]</i>	<i>[Signature]</i>	<i>[Signature]</i>



REAR VIEW



FRONT VIEW

NOTICE TO PERSONS RECEIVING THIS DRAWING

THE TECHNICAL MATERIEL CORPORATION claims proprietary right in the material disclosed hereon. This drawing is issued in confidence for engineering information only and may not be reproduced or used to manufacture anything shown hereon without permission from THE TECHNICAL MATERIEL CORPORATION to the user. This drawing is loaned for mutual assistance and is subject to recall at any time.

Property of:
THE TECHNICAL MATERIEL CORPORATION
 MAMARONECK, NEW YORK

REF: MS-3011 (2).

REQ'D.	ITEM	PART NUMBER	DESCRIPTION	SYMBOL
J. STRUMER		LIST OF MATERIAL		
MATERIAL		THE TECHNICAL MATERIEL CORP.		
FINISH		MAMARONECK, NEW YORK		
TITLE		LETTERING, SWITCH MOUNTING PLATE (3400 DECK).		
UNLESS OTHERWISE SPECIFIED DIMENSIONS ARE IN INCHES AND INCLUDE CHEMICALLY APPLIED OR PLATED FINISHES		DRAWN <i>W.A.F.</i>	DATE 5-25-62	FINAL APPROVAL <i>[Signature]</i>
DECIMALS .X ± .05 .XX ± .01 .XXX ± .005		CHECKED <i>[Signature]</i>	DATE 8-17-62	DATE
FRACTIONS ± 1/64 ANGLES ± 0° 30'		ELECT. DES. <i>[Signature]</i>	DATE	DATE
TOLERANCES		MACH. DES. <i>[Signature]</i>	DATE	DATE
THE CONTENTS OF THIS DRAWING ARE THE EXCLUSIVE PROPERTY OF THE TECHNICAL MATERIEL CORP. ITS UNAUTHORIZED USE OR REPRODUCTION IN WHOLE OR IN PART IS STRICTLY FORBIDDEN.		LD-1102		A
		SHEET		REV. LTR.

1	HFS-1	3400
QTY./UNIT	MODEL USED ON	ASS'Y. NO.
SCALE	CODE	

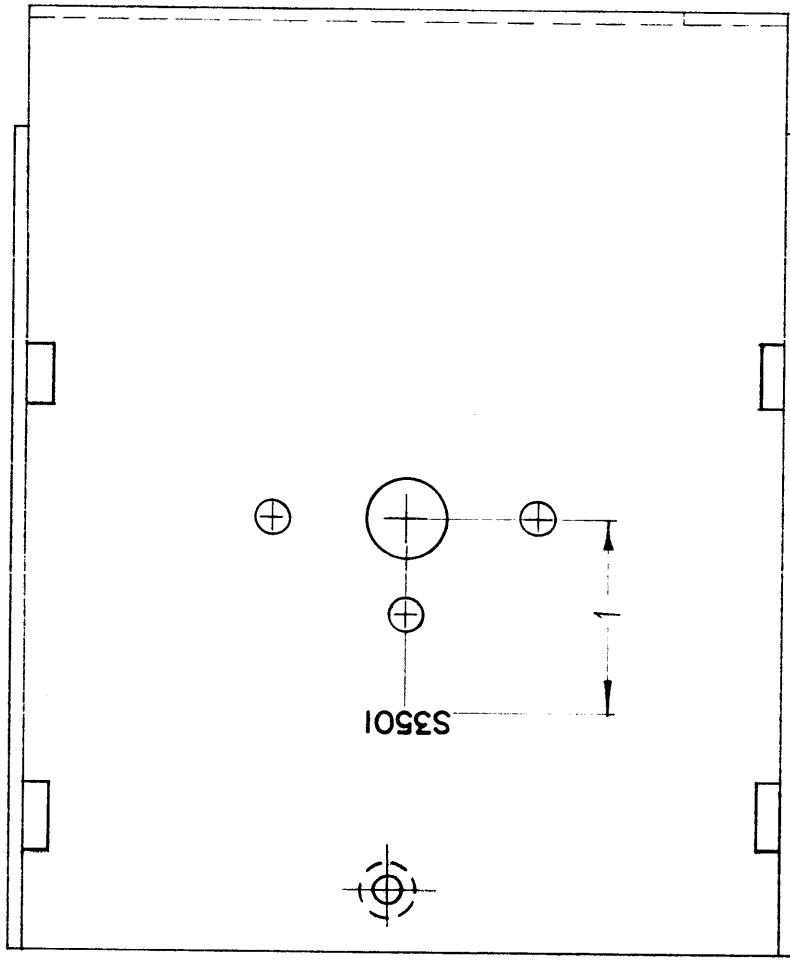
NOTES

~ UNLESS OTHERWISE SPECIFIED ~
 1/8 HIGH BLACK LUSTERLESS, GOTHIC LETTERING.
 MARKING PROCESS: AS PER TMC SPECIFICATION S-727
 ALL LETTERING TO BE CENTERED ON HOLES.

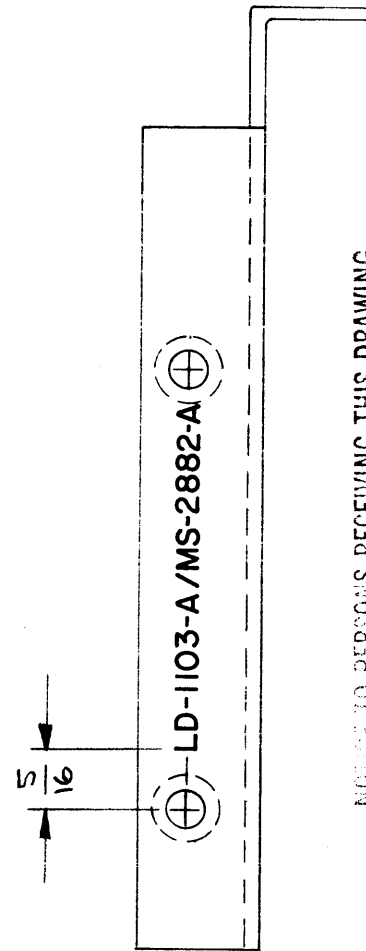
LD-1103 A

REVISIONS

SYM	DESCRIPTION	DATE	E.M.N. NO.	DRAFT	CHKD	APPD
A	(1) C'SUNK HOLE ADDED ; PICTORIAL UPDATED	12/21/63	10665	ES	JW	6/16



REAR VIEW

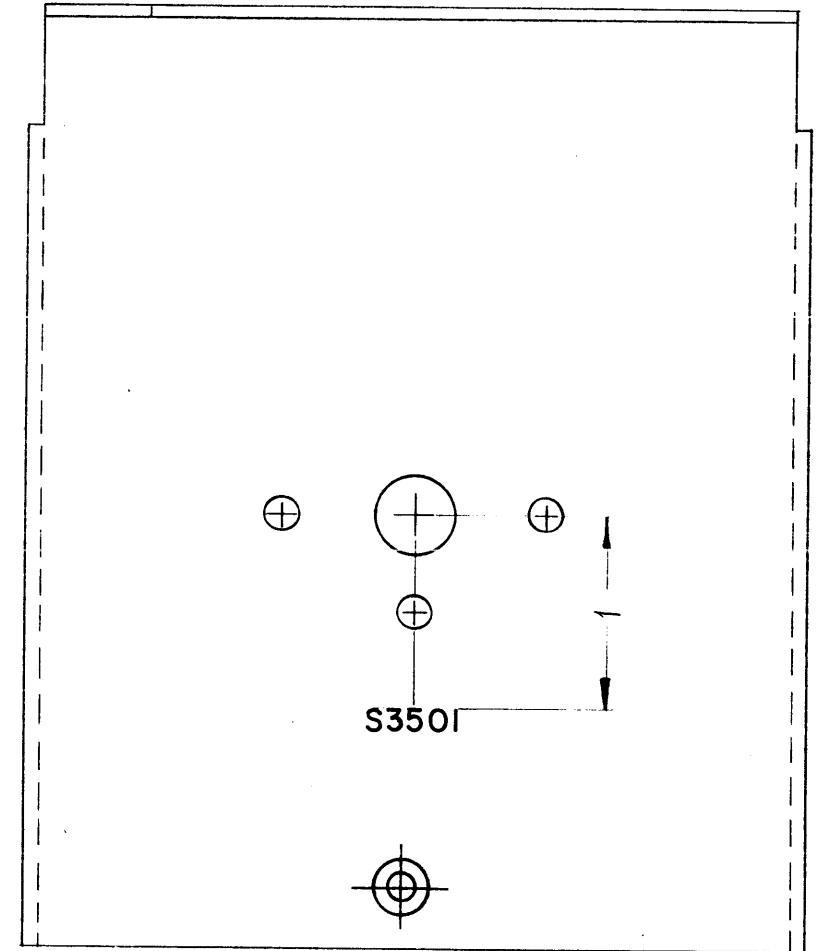


NOTICE TO PERSONS RECEIVING THIS DRAWING

THE TECHNICAL MATERIEL CORPORATION claims proprietary right in the material disclosed hereon. This drawing is issued in confidence for engineering information only and may not be reproduced or used to manufacture anything shown hereon without permission from THE TECHNICAL MATERIEL CORPORATION to the user. This drawing is loaned for mutual assistance and is subject to recall at any time.

Property of:

THE TECHNICAL MATERIEL CORPORATION
MAMARONECK, NEW YORK



FRONT VIEW

REF: MS-2882 (2)

UNLESS OTHERWISE SPECIFIED -
1/8 HIGH BLACK LUSTERLESS, GOTHIC LETTERING.

MARKING PROCESS: AS PER TMC SPECIFICATION S-727
ALL LETTERING TO BE CENTERED ON HOLES.

NOTES

1	HFS-1	3500
QTY./UNIT	MODEL USED ON	ASS'Y. NO.
SCALE 1:1	CODE	

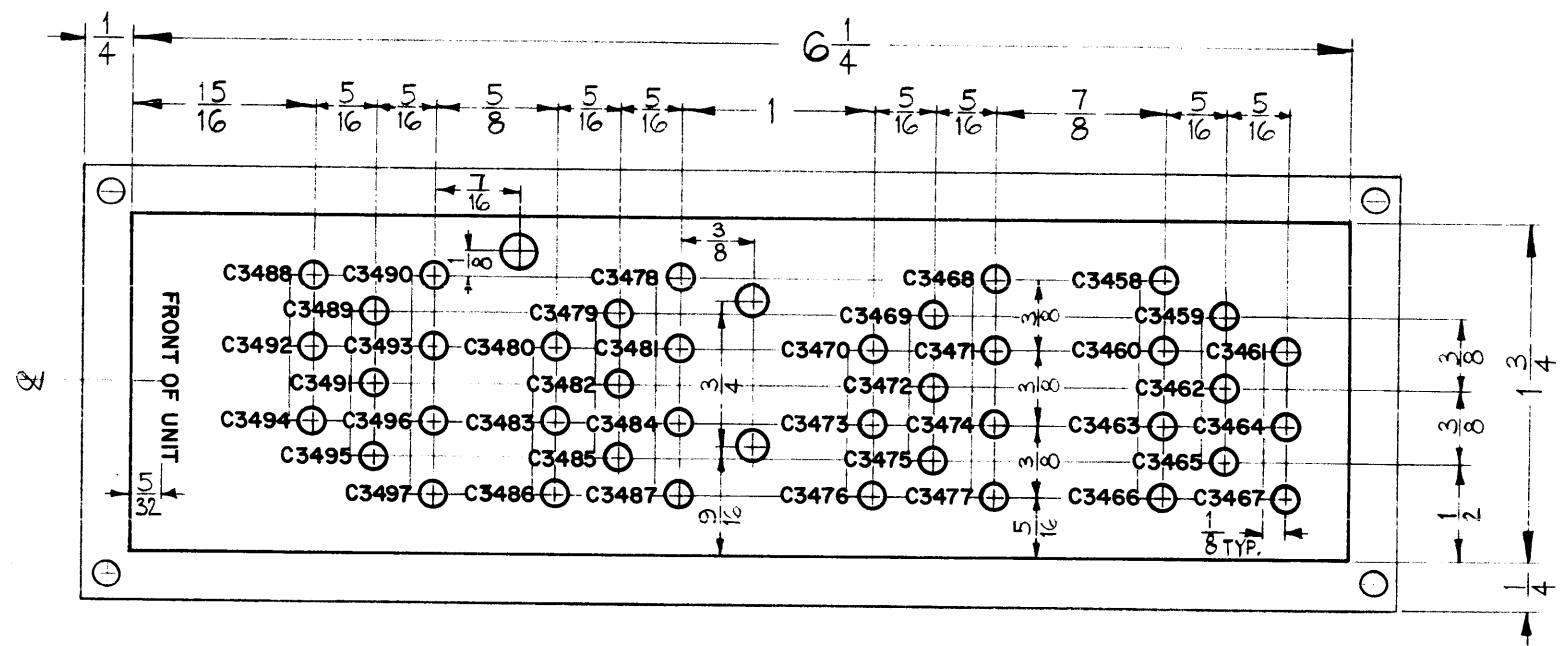
THE CONTENTS OF THIS DRAWING ARE THE EXCLUSIVE PROPERTY OF THE TECHNICAL MATERIEL CORP. ITS UNAUTHORIZED USE OR REPRODUCTION IN WHOLE OR IN PART IS STRICTLY FORBIDDEN.

REQ'D.	ITEM	PART NUMBER	DESCRIPTION	SYMBOL
J. STRUMER LIST OF MATERIAL				
MATERIAL		THE TECHNICAL MATERIEL CORP. MAMARONECK, NEW YORK		
FINISH		TITLE LETTERING, FRONT PLATE, SWITCH MOUNTING (3500 DECK)		
UNLESS OTHERWISE SPECIFIED DIMENSIONS ARE IN INCHES AND INCLUDE CHEMICALLY APPLIED OR PLATED FINISHES		DRAWN <i>M.A.F.</i> CHECKED <i>J.W.</i> DATE 5-26-62 DATE 5/26/62	FINAL APPROVAL <i>BP</i> DATE DATE	DATE
DECIMALS .X ± .05 .XX ± .01 .XXX ± .005	TOLERANCES	FRACTIONS ± 1/64 ANGLES ± 0° 30'	ELEC. DATA MECH. DATA	DATE SHEET REV. LTR.
			LD-1103	A

LD-1106 A

REVISIONS

SYM	DESCRIPTION	DATE	E.M.N. NO.	DRAFT	CHKD	APPD
A	ADDED CIRCLE NOTES, LETTERING WAS CENTERED ON HOLES	3-18-63	8545	R	W/S	



NOTICE TO PERSONS RECEIVING THIS DRAWING

THE TECHNICAL MATERIEL CORPORATION claims proprietary right in the material disclosed hereon. This drawing is issued in confidence for engineering information only and may not be reproduced or used to manufacture anything shown hereon without permission from THE TECHNICAL MATERIEL CORPORATION to the user. This drawing is loaned for mutual assistance and is subject to recall at any time.

Property of:
THE TECHNICAL MATERIEL CORPORATION
 MAMARONECK, NEW YORK

- SMALL CIRCLES SHALL BE 1/8 DIA. (40 REQ)
- LARGE CIRCLES SHALL BE 3/16 DIA. (3 REQ)

~ UNLESS OTHERWISE SPECIFIED ~

1/16 HIGH BLACK LUSTERLESS, GOTHIC LETTERING.
 MARKING PROCESS: AS PER TMC SPECIFICATION S-727.
 ALL LETTERING TO BE CENTERED ON CIRCLE LETTERING
 ALL LINES TO BE SAME WIDTH AS LETTERING.

NOTES

1	HFS-1	3400
QTY./UNIT	MODEL USED ON	ASS'Y. NO.
SCALE	CODE	

THE CONTENTS OF THIS DRAWING ARE THE EXCLUSIVE PROPERTY OF THE TECHNICAL MATERIEL CORP. ITS UNAUTHORIZED USE OR REPRODUCTION IN WHOLE OR IN PART IS STRICTLY FORBIDDEN.

REF: MS-2994 (2).

REQ'D.	ITEM	PART NUMBER	DESCRIPTION	SYMBOL
J. STRUMMER LIST OF MATERIAL				
MATERIAL			THE TECHNICAL MATERIEL CORP. MAMARONECK, NEW YORK	
FINISH			TITLE LETTERING, PLATE, CAPACITOR DESIGNATION (3400 DECK)	
UNLESS OTHERWISE SPECIFIED DIMENSIONS ARE IN INCHES AND INCLUDE CHEMICALLY APPLIED OR PLATED FINISHES			DRAWN <i>J. Strummer</i>	DATE 6-1-62
DECIMALS .X ± .05 .XX ± .01 .XXX ± .005			CHECKED <i>J. Strummer</i>	DATE 8-17-62
FRACTIONS ± 1/64 ANGLES ± 0° 30'			ELECT. DES. <i>J. Strummer</i>	DATE 6-6-62
TOLERANCES			MECH. DES. <i>J. Strummer</i>	DATE 6-6-62
			FINAL APPROVAL <i>BP</i>	DATE
			LD-1106	
			SHEET	REV. LTR.

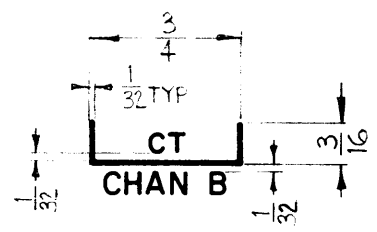
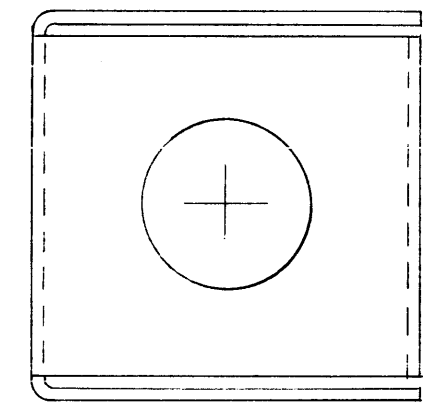
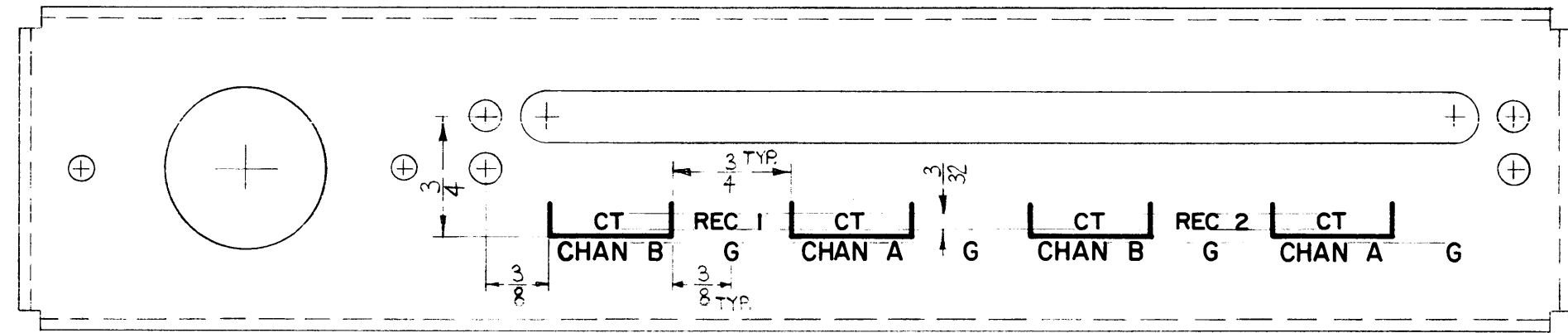
LD-1137

REVISIONS

SYM	DESCRIPTION	DATE	E.M.N. NO.	DRAFT	CHKD	APPD
-----	-------------	------	------------	-------	------	------

NOTICE TO PERSONS RECEIVING THIS DRAWING
 THE TECHNICAL MATERIEL CORPORATION claims proprietary right in the material disclosed hereon. This drawing is issued in confidence for engineering information only and may not be reproduced or used to manufacture anything shown hereon without permission from THE TECHNICAL MATERIEL CORPORATION to the user. This drawing is loaned for mutual assistance and is subject to recall at any time.

Property of:
 THE TECHNICAL MATERIEL CORPORATION
 MAMARONECK, NEW YORK



TYP DETAIL

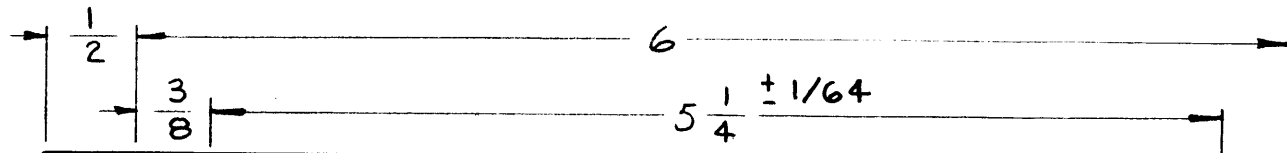
~UNLESS OTHERWISE SPECIFIED~
 1/8 HIGH BLACK LUSTERLESS GOTHIC LETTERING.
 (PHOTO WRINLAY PROCESS OR EQUIVALENT)

REF: MS-3004 (4).

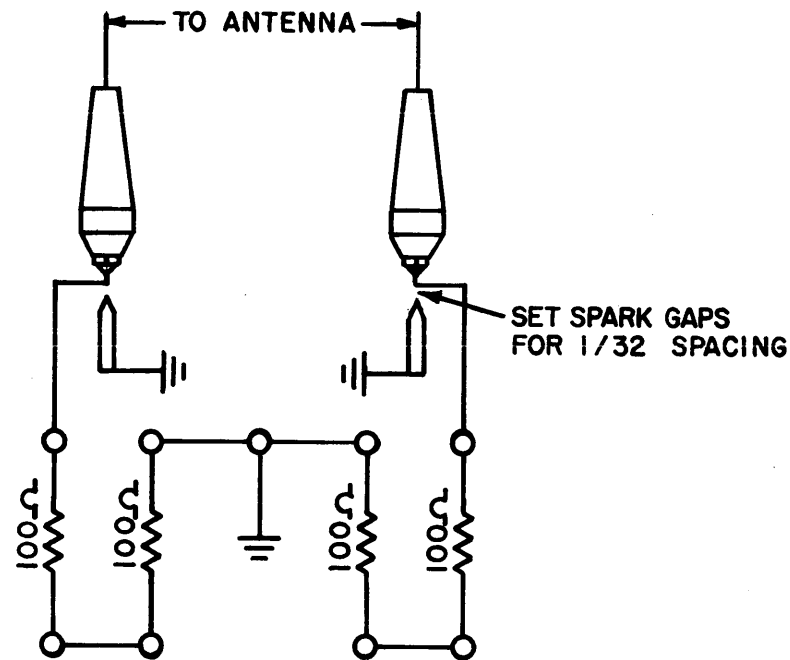
REQ'D.	ITEM	PART NUMBER	DESCRIPTION	SYMBOL
LIST OF MATERIAL				
		R. KOHN		
MATERIAL		THE TECHNICAL MATERIEL CORP. MAMARONECK, NEW YORK		
FINISH		TITLE LETTERING, AF OUTPUT & ANT. INPUT CHASSIS		
UNLESS OTHERWISE SPECIFIED DIMENSIONS ARE IN INCHES AND INCLUDE CHEMICALLY APPLIED OR PLATED FINISHES		DRAWN W. A. Franco	DATE 8-15-62	FINAL APPROVAL <i>BP</i>
		CHECKED <i>[Signature]</i>	DATE 8-16-62	
		ELECT. DES. R. KOHN	DATE 15 AUG 62	LD-1137
		MECH. DES.	DATE	
		DECIMALS .X ± .05 .XX ± .01 .XXX ± .005	TOLERANCES	FRAC TIONS ± 1/64 ANGLES ± 0° 30'
			SHEET	REV. LTR.

NOTES

1	RAK-21B-1	
Q'TY./UNIT	MODEL USED ON	ASS'Y. NO.
SCALE	CODE	
THE CONTENTS OF THIS DRAWING ARE THE EXCLUSIVE PROPERTY OF THE TECHNICAL MATERIEL CORP. ITS UNAUTHORIZED USE OR REPRODUCTION IN WHOLE OR IN PART IS STRICTLY FORBIDDEN.		



THE TECHNICAL MATERIEL CORPORATION
 MAMARONECK NEW YORK
 RHOMBIC TERMINAL UNIT MODEL RTB -13



NOTE
 CHANGE DEHYDRATING AGENT
 AT LEAST EVERY SIX MONTHS OR
 SOONER IF REQUIRED.

LD-1138-B

LD-1138 B

ALL HOLES 1/8 DIA - 4 REQ.

NOTICE TO PERSONS RECEIVING THIS DRAWING

THE TECHNICAL MATERIEL CORPORATION claims proprietary right in the material disclosed hereon. This drawing is issued in confidence for engineering information only and may not be reproduced or used to manufacture anything shown hereon without permission from THE TECHNICAL MATERIEL CORPORATION to the user. This drawing is loaned for mutual assistance and is subject to recall at any time.

Property of:

THE TECHNICAL MATERIEL CORPORATION
 MAMARONECK, NEW YORK

SPECIFICATIONS:-

- 1- DIAGRAM TO BE PRINTED IN BLACK ON .015
- 2- MATERIAL: POLISHED WHITE OPAQUE VINYL PLASTIC.

REQ'D.	ITEM	PART NUMBER	DESCRIPTION	SYMBOL
I, JOHNSON LIST OF MATERIAL				
MATERIAL		THE TECHNICAL MATERIEL CORP. MAMARONECK, NEW YORK		
FINISH		TITLE SCHEMATIC DIAGRAM RTB-13		
UNLESS OTHERWISE SPECIFIED DIMENSIONS ARE IN INCHES AND INCLUDE CHEMICALLY APPLIED OR PLATED FINISHES				
DRAWN VRR.		DATE 7-26-62	FINAL APPROVAL BP	
CHECKED J. De		DATE 7-26-62	DATE 7-27-62	
ELECT. DES. J. De		DATE 7-26-62	LD-1138 B	
MECH. DES. J. De		DATE 7-26-62	SHEET	
DECIMALS .X ± .05 .XX ± .01 .XXX ± .005		FRACTIONS ± 1/64 ANGLES ± 0° 30'		REV. LTR.

1	RTB-13	A-2513
QTY./UNIT	MODEL USED ON	ASSY. NO.
SCALE	CODE	

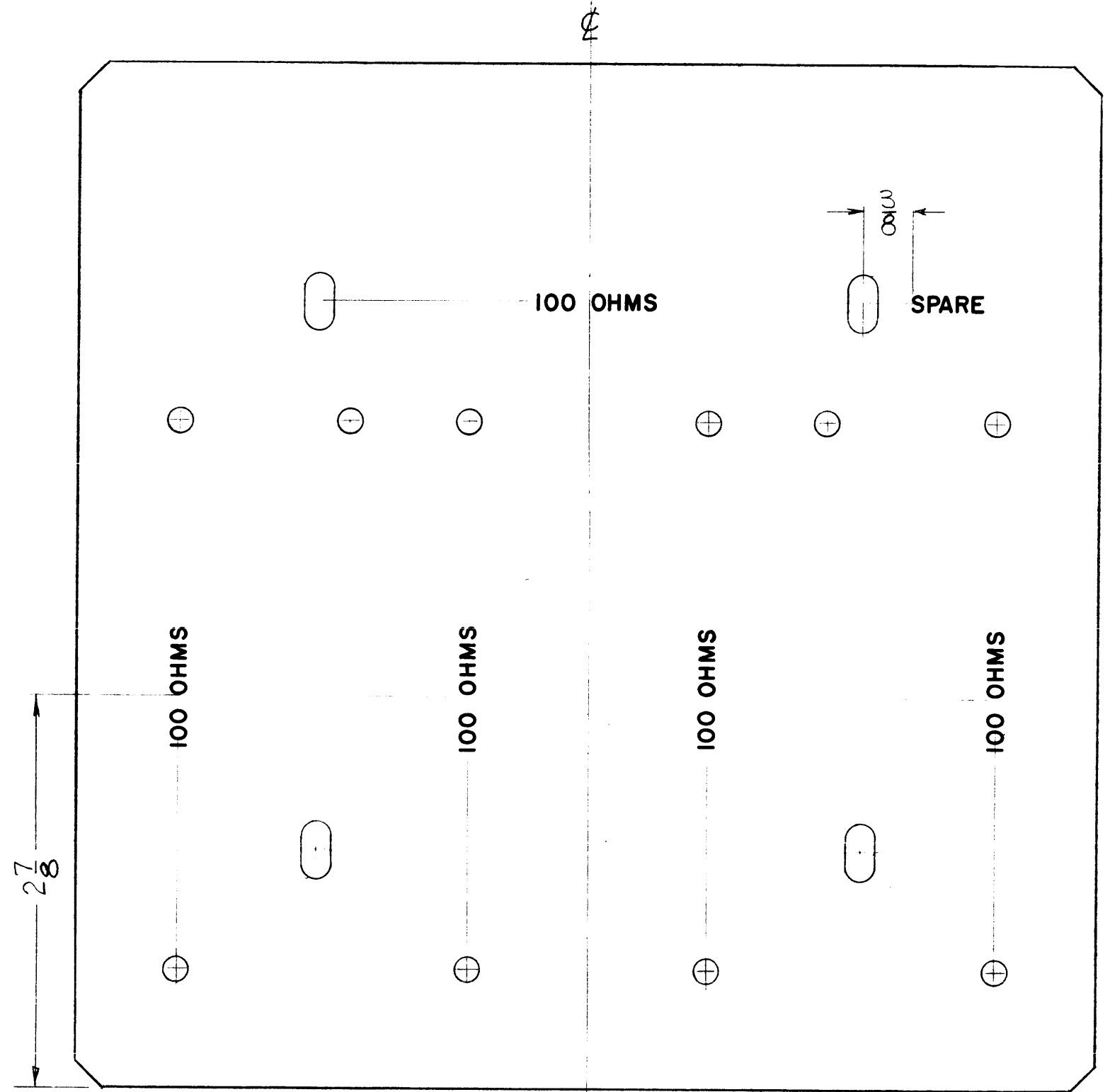
THE CONTENTS OF THIS DRAWING ARE THE EXCLUSIVE PROPERTY OF THE TECHNICAL MATERIEL CORP. ITS UNAUTHORIZED USE OR REPRODUCTION IN WHOLE OR IN PART IS STRICTLY FORBIDDEN.

NOTES

A
LD-1139

REVISIONS

SYM	DESCRIPTION	DATE	E.M.N. NO.	DRAFT	CHKD	APPD
A	RTB-13 WAS RTB-10	8/20/62	7096	J De	File	16



NOTE:-
ALL LETTERING TO BE 1/8 HIGH BLACK LUSTERLESS, GOTHIC.
(PHOTO WRINLAY PROCESS OR EQUIVALENT)

NOTICE TO PERSONS RECEIVING THIS DRAWING

THE TECHNICAL MATERIEL CORPORATION claims proprietary right in the material disclosed hereon. This drawing is issued in confidence for engineering information only and may not be reproduced or used to manufacture anything shown hereon without permission from THE TECHNICAL MATERIEL CORPORATION to the user. This drawing is loaned for mutual assistance and is subject to recall at any time.

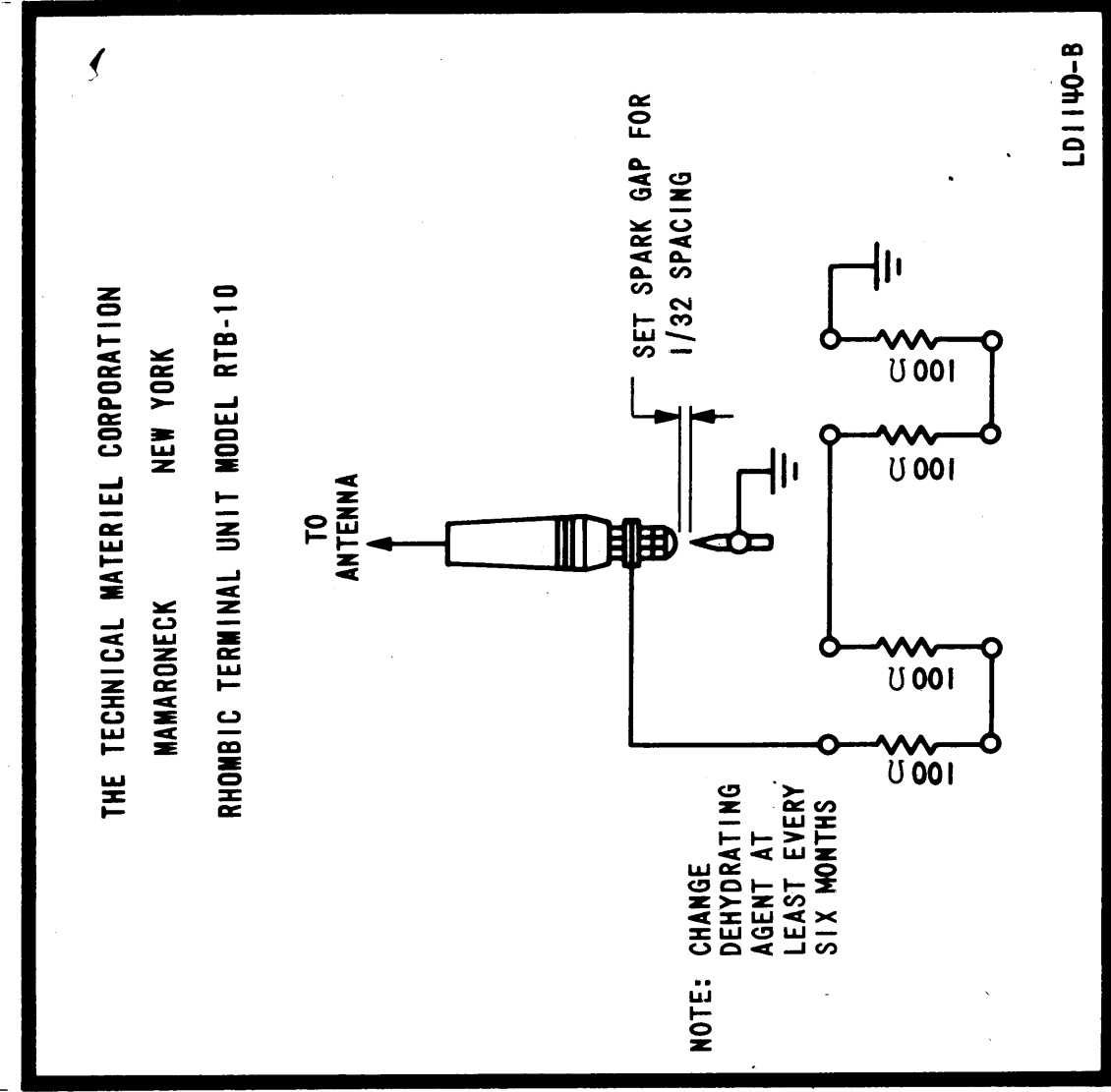
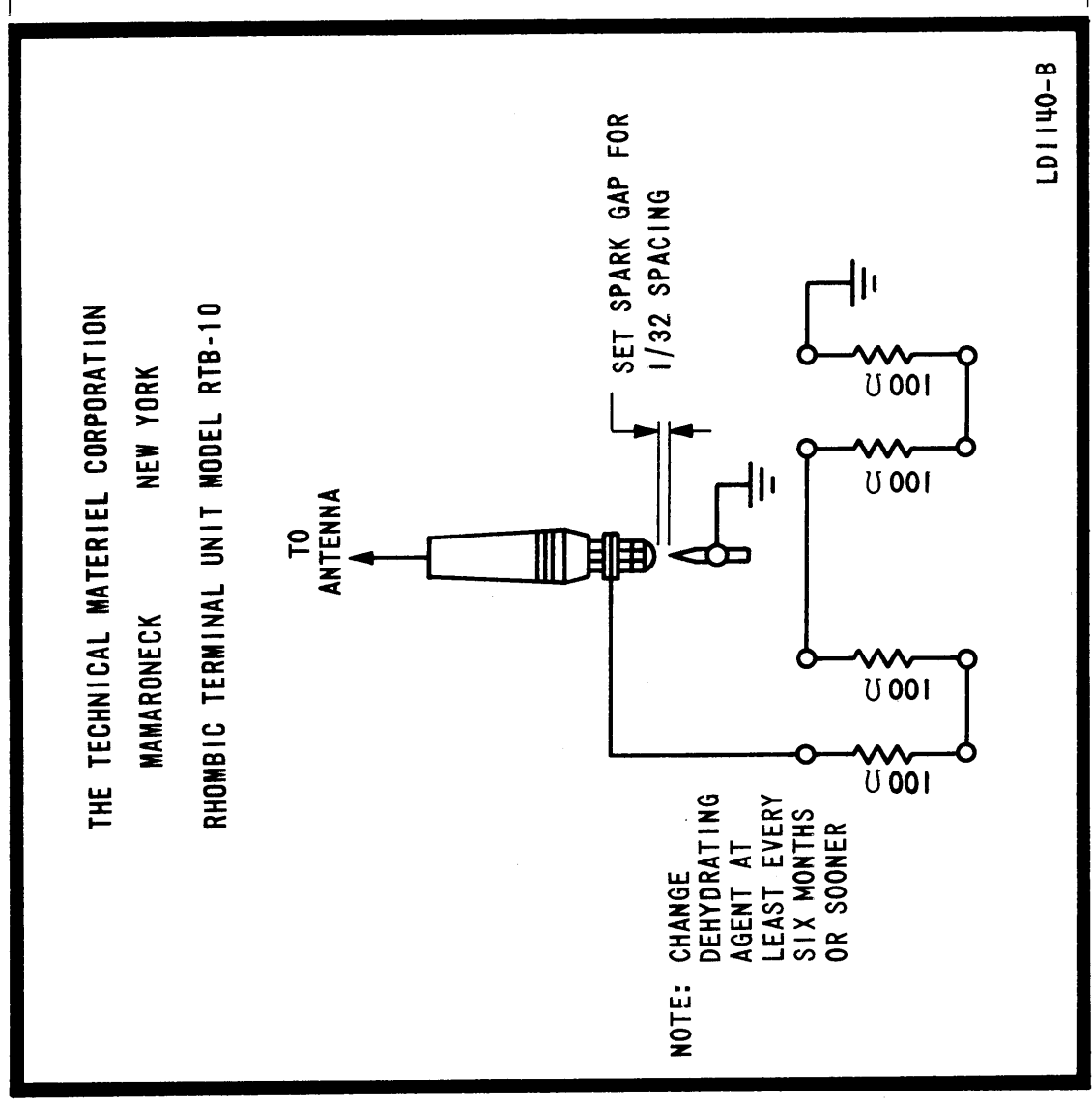
Property of:
THE TECHNICAL MATERIEL CORPORATION
MAMARONECK, NEW YORK

REF. MS-3006

1	RTB-13	A-2514
QTY./UNIT	MODEL USED ON	ASS'Y. NO.
SCALE	CODE	

REQ'D.	ITEM	PART NUMBER	DESCRIPTION	SYMBOL
I. JOHNSON LIST OF MATERIAL				
MATERIAL			THE TECHNICAL MATERIEL CORP. MAMARONECK, NEW YORK	
FINISH			TITLE STAMPING, MOUNTING PLATE	
UNLESS OTHERWISE SPECIFIED DIMENSIONS ARE IN INCHES AND INCLUDE CHEMICALLY APPLIED OR PLATED FINISHES				
DRAWN V.R.R.		DATE 7-27-62	FINAL APPROVAL BP	
CHECKED J De		DATE 7-27-62	DATE 7-27-62	
ELECT. DES. J De		DATE 7-27-62	LD-1139	
MECH. DES. J De		DATE 7-27-62	A	
DECIMALS .X ± .05 .XX ± .01 .XXX ± .005			FRACTIONS ± 1/64 ANGLES ± 0° 30'	
TOLERANCES			SHEET	
THE CONTENTS OF THIS DRAWING ARE THE EXCLUSIVE PROPERTY OF THE TECHNICAL MATERIEL CORP. ITS UNAUTHORIZED USE OR REPRODUCTION IN WHOLE OR IN PART IS STRICTLY FORBIDDEN.			REV. LTR.	

NOTES



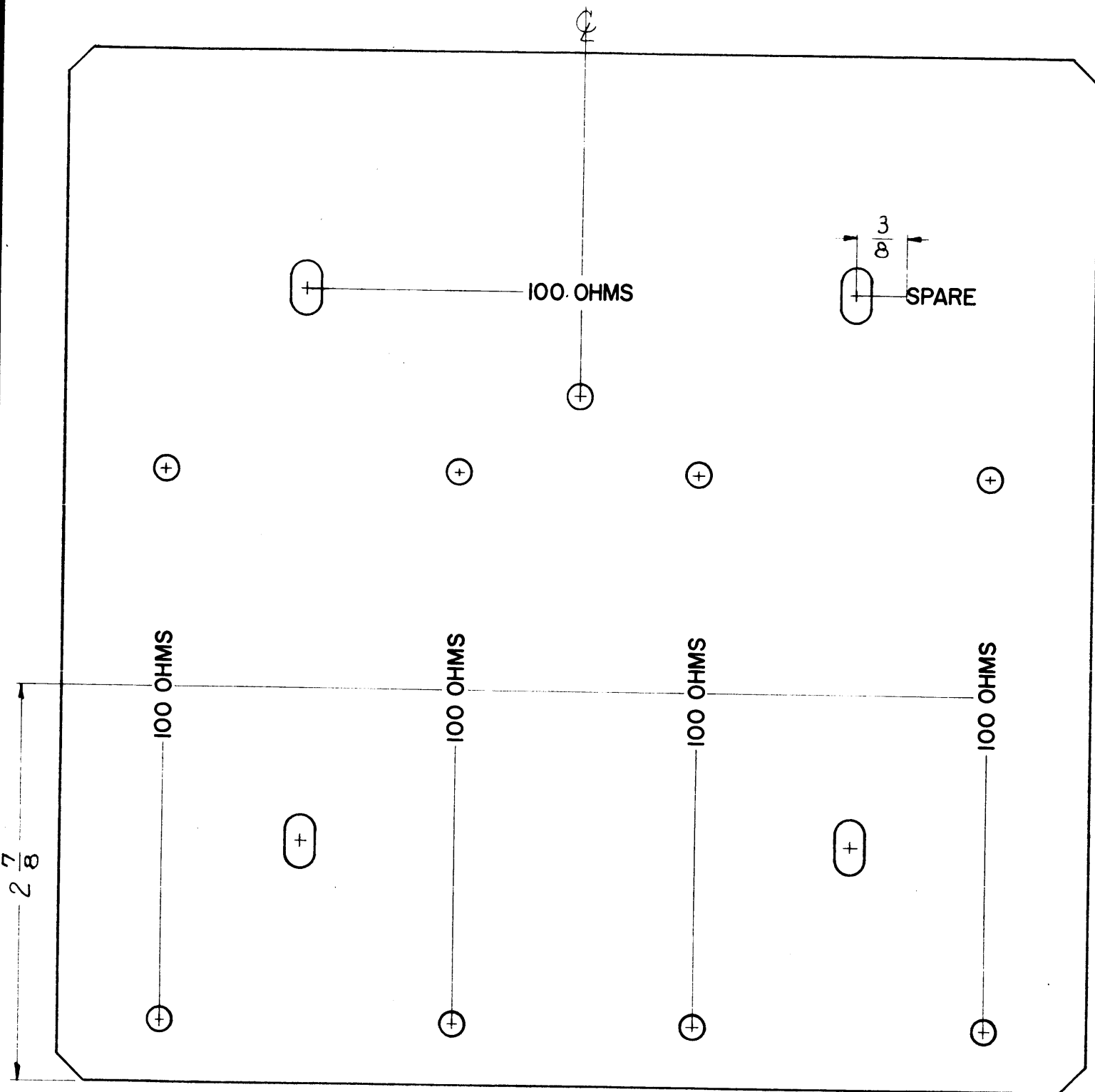
NOTE: 1. ALL LETTERING AND ARTWORK TO BE BLACK ON ALUMINUM BACKGROUND, WITH ADHESIVE BACKING.
2. REPRODUCTION METHOD: AS PER TMC SPEC S1222

REQ'D ITEM	PART NUMBER	DESCRIPTION	SYM.
LIST OF MATERIAL			
FINAL APPROVAL BP	DATE 8/27/62	THE TECHNICAL MATERIEL CORP. MAMARONECK, NEW YORK	
MECH. DES. 15J	DATE 8/20/62		
ELECT. DES.	DATE		
CHECKED JD	DATE 8/22/62		
DRAWN GIANFILIPPOTTI	DATE 8/20/62		
UNLESS OTHERWISE SPECIFIED DIMENSIONS ARE IN INCHES AND INCLUDE CHEMICALLY APPLIED OR PLATED FINISHES		SIZE CODE IDENT. NO. DWG NO. ISSUE	
DECIMALS .X ± .05 .XX ± .01 .XXX ± .005		B 82679 LD 1140 B	
FRACTIONS 1/64		SCALE SHEET OF	
TOLS. ANGLES 0°-30'			
MATERIAL SEE NOTE 2			
FINISH			

QTY / UNIT	MODEL USED ON	ASSY NO.
1	RTB-10	A3056
APPLICATION		
CODE		
<p>NOTICE TO PERSONS RECEIVING THIS DRAWING</p> <p>THE TECHNICAL MATERIEL CORPORATION claims proprietary right in the material disclosed hereon. This drawing is issued in confidence for engineering information only and may not be reproduced or used to manufacture anything shown hereon without permission from THE TECHNICAL MATERIEL CORPORATION to the user. This drawing is loaned for mutual assistance and is subject to recall at any time.</p>		

LD-1142 A

REVISIONS						
SYM	DESCRIPTION	DATE	E.M.N. NO.	DRAFT	CHKD	APPD
A	RTB-14 ADDED TO USED ON COLUMN	11/15/63	10381	ND	M/T	V/B



- UNLESS OTHERWISE SPECIFIED -
 1/8 HIGH BLACK LUSTERLESS, GOTHIC LETTERING.
 (PHOTO WRINLAY PROCESS OR EQUIVALENT)

NOTICE TO PERSONS RECEIVING THIS DRAWING

THE TECHNICAL MATERIEL CORPORATION claims proprietary right in the material disclosed hereon. This drawing is issued in confidence for engineering information only and may not be reproduced or used to manufacture anything shown hereon without permission from THE TECHNICAL MATERIEL CORPORATION to the user. This drawing is loaned for mutual assistance and is subject to recall at any time.

Property of:
 THE TECHNICAL MATERIEL CORPORATION
 MAMARONECK, NEW YORK

REF: MS-3009

REQ'D.	ITEM	PART NUMBER	DESCRIPTION	SYMBOL
LIST OF MATERIAL				
MATERIAL			THE TECHNICAL MATERIEL CORP. MAMARONECK, NEW YORK	
FINISH			TITLE LETTERING, MOUNTING PLATE	
UNLESS OTHERWISE SPECIFIED DIMENSIONS ARE IN INCHES AND INCLUDE CHEMICALLY APPLIED OR PLATED FINISHES			DRAWN <i>G. Sanchez</i> DATE 8-21-62 CHECKED <i>J. De</i> DATE 8-22-62 ELECT. DES. DATE MECH. DES. <i>J. De</i> DATE 8-27-62	FINAL APPROVAL <i>[Signature]</i> DATE 8-27-62 SHEET LD-1142 REV. LTR. A

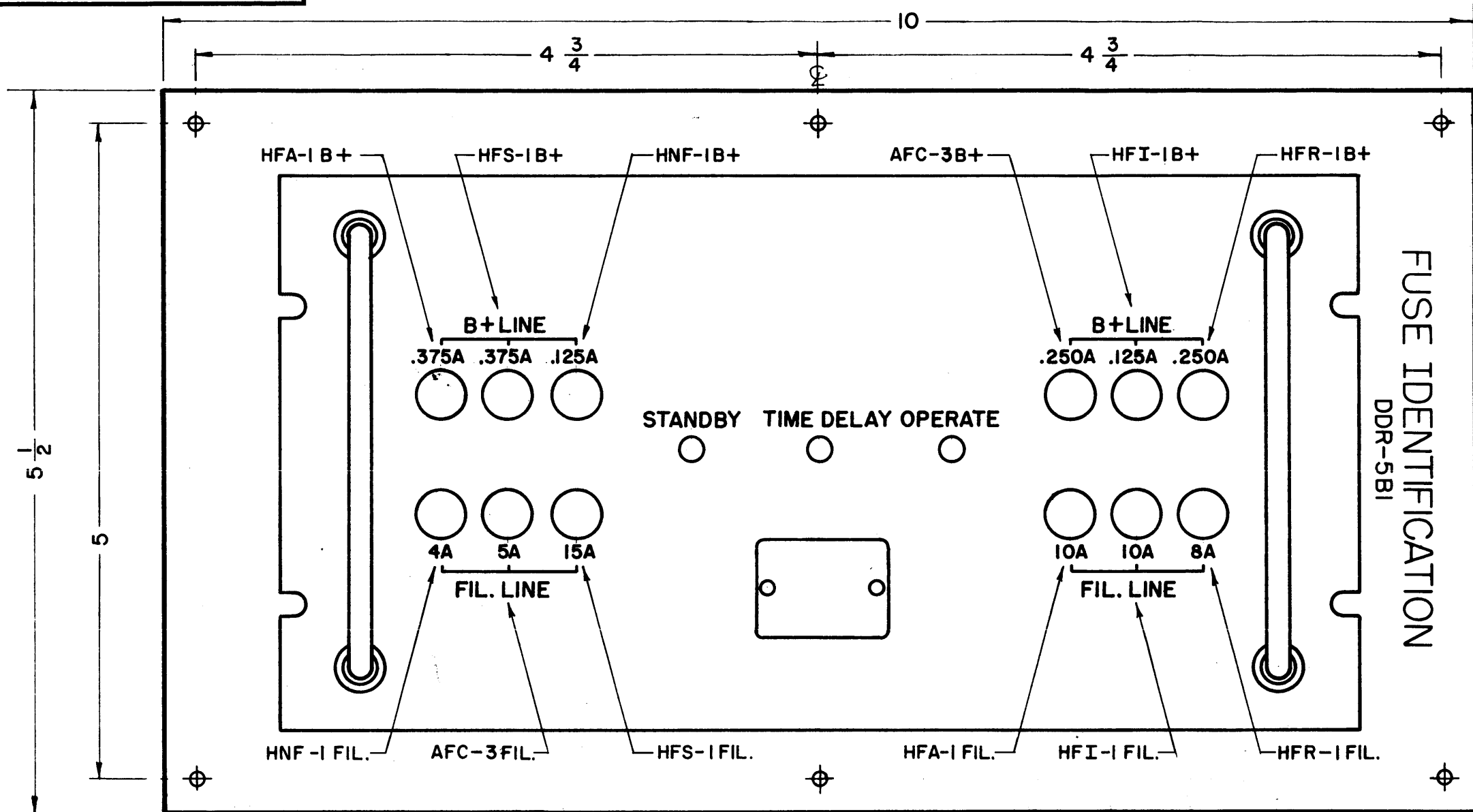
1	RTB-14	A-3306
1	RTB-10	A-3055
Q'TY./UNIT	MODEL USED ON	ASS'Y. NO.
SCALE	CODE	

NOTES

THE CONTENTS OF THIS DRAWING ARE THE EXCLUSIVE PROPERTY OF THE TECHNICAL MATERIEL CORP. ITS UNAUTHORIZED USE OR REPRODUCTION IN WHOLE OR IN PART IS STRICTLY FORBIDDEN.

LD-1144

THE CONTENTS OF THIS DRAWING ARE THE EXCLUSIVE PROPERTY OF THE TECHNICAL MATERIEL CORP. ITS UNAUTHORIZED USE OR REPRODUCTION IN WHOLE OR IN PART IS STRICTLY FORBIDDEN.



HOLES
3/32 DIA. (6-REQ.)

SPECIFICATIONS
TO BE PRINTED IN BLACK ON OPAQUE, WHITE VINYL PLASTIC .015 THK.

FINISH
POLISH FRONT AND REAR.

NOTE TO PERSONS RECEIVING THIS DRAWING

THE TECHNICAL MATERIEL CORPORATION claims proprietary right in the material disclosed hereon. This drawing is issued in confidence for engineering information only and may not be reproduced or used to manufacture anything shown hereon without permission from THE TECHNICAL MATERIEL CORPORATION to the user. This drawing is loaned for mutual assistance and is subject to recall at any time.

Property of:
THE TECHNICAL MATERIEL CORPORATION
MAMARONECK, NEW YORK

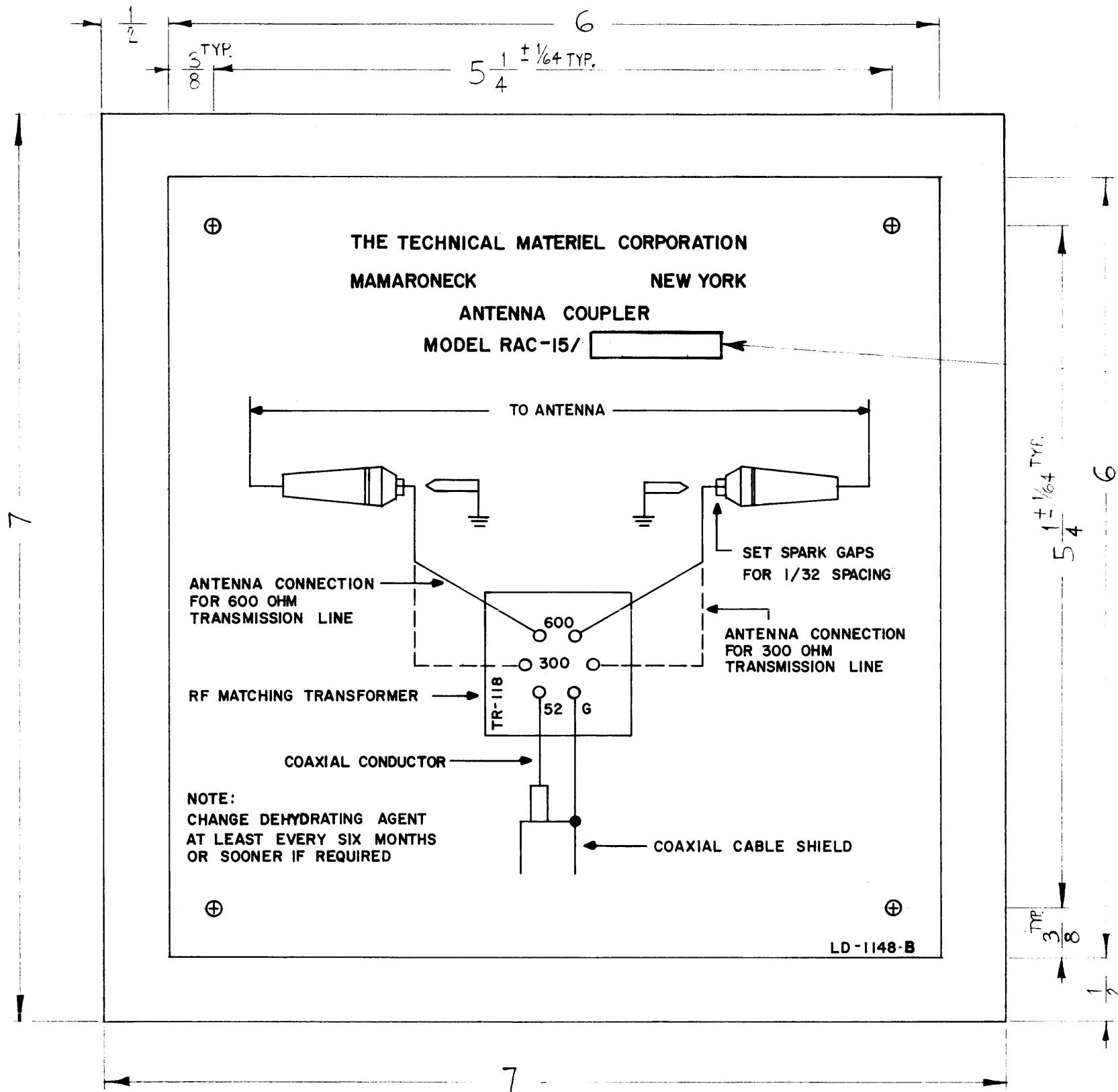
REQ.	ITEM	PART NO.	R. KOHN	DESCRIPTION	SYMBOL
SEE SPECIFICATIONS			THE TECHNICAL MATERIEL CORP. MAMARONECK, NEW YORK		
STOCK SIZE					
SEE SPECIFICATIONS			FUSE IDENTIFICATION		
MATERIAL			DDR-5B1		
TYPE & TEMPER		HEAT TREAT. SPEC.	9-13-62	AWO	BP
SEE FINISH NOTE		RKOHN	R.KOHN	LD-1144	
FINISH & SPEC. NO.		ELEC. DES. APP.	MECH. DES. APP.		

SYM	DESCRIPTION	DATE	CH. NO.	DRAFTS	CHECKER	ENG. APP.
UNLESS OTHERWISE SPECIFIED:		SCALE:				
DIMENSIONS ARE IN INCHES		MAXIMUM ALLOWABLE TOLERANCES HAVE BEEN DETERMINED AND ANY DEVIATIONS WILL BE CAUSE FOR REJECTION.				
TOLERANCES ON		REMOVE ALL BURRS AND SHARP EDGES				
FRACTIONS ± 1/64		DECIMALS ± .005		ANGLES ± 1/2°		

REQ. PER UNIT	MODEL	SECTION	ASS'Y. NO.	DATE
1	DDR-5B1			9-13-62
USED ON				

LD-1148 B

REVISIONS					
SYM	DESCRIPTION	DATE	E.M.N. NO.	DRAFT	CHKD
A	FINISH DELETED, MATERIAL CLARIFIED	2-1-63	8168	<i>[Signature]</i>	<i>[Signature]</i>
B	MODEL * WAS RAC-15/AX-□ UNPOLISHED AREA WAS 3/16 X 1/2	7-31-64	11821	WJB	<i>[Signature]</i>



NOTES:
 1- MOUNTING HOLES 7/64 DIA. 4 REQ.
 2- PRINTED DIRECTLY ON FACE OF PLASTIC

3/16 X 1/2 AREA TO BE UNPOLISHED

NOTICE TO PERSONS RECEIVING THIS DRAWING
 THE TECHNICAL MATERIEL CORPORATION claims proprietary right in the material disclosed hereon. This drawing is issued in confidence for engineering information only and may not be reproduced or used to manufacture anything shown hereon without permission from THE TECHNICAL MATERIEL CORPORATION to the user. This drawing is loaned for mutual assistance and is subject to recall at any time.
 Property of:
 THE TECHNICAL MATERIEL CORPORATION
 MAMARONECK, NEW YORK

NOTE:
 CHANGE DEHYDRATING AGENT AT LEAST EVERY SIX MONTHS OR SOONER IF REQUIRED

LD-1148-B

REQ'D.	ITEM	PART NUMBER	DESCRIPTION	SYMBOL
I. JOHNSON LIST OF MATERIAL				
MATERIAL	.015 POLISHED WHITE OPAL E VINYL PLASTIC	THE TECHNICAL MATERIEL CORP. MAMARONECK, NEW YORK		
FINISH	TITLE SCHEMATIC DIAGRAM MODEL RAC-15			
UNLESS OTHERWISE SPECIFIED DIMENSIONS ARE IN INCHES AND INCLUDE CHEMICALLY APPLIED OR PLATED FINISHES		DRAWN W.A. FRANCO	DATE 10-5-62	FINAL APPROVAL <i>[Signature]</i>
		CHECKED <i>[Signature]</i>	DATE 10-5-62	
		ELEC. <i>[Signature]</i>	DATE 10-11-62	LD-1148
		MECH. <i>[Signature]</i>	DATE 10-11-62	B
				REV. LTR.

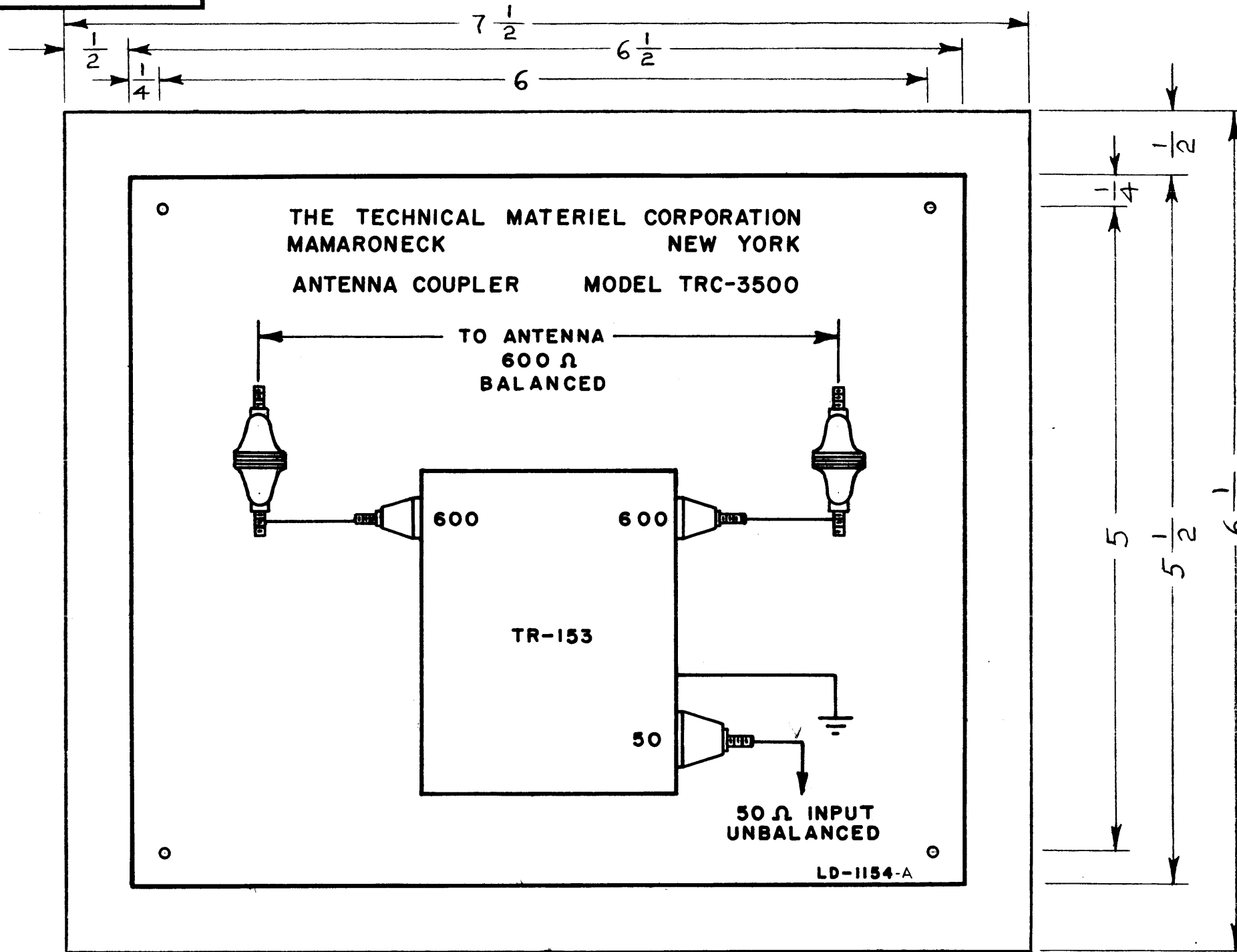
Q'TY./UNIT	MODEL USED ON	ASS'Y. NO.
1	RAC-15	
SCALE	CODE	

THE CONTENTS OF THIS DRAWING ARE THE EXCLUSIVE PROPERTY OF THE TECHNICAL MATERIEL CORP. ITS UNAUTHORIZED USE OR REPRODUCTION IN WHOLE OR IN PART IS STRICTLY FORBIDDEN.

NOTES

LD-1154 B

THE CONTENTS OF THIS DRAWING ARE THE EXCLUSIVE PROPERTY OF THE TECHNICAL MATERIEL CORP. ITS UNAUTHORIZED USE OR REPRODUCTION IN WHOLE OR IN PART IS STRICTLY FORBIDDEN.



NOTICE TO PERSONS RECEIVING THIS DRAWING

THE TECHNICAL MATERIEL CORPORATION claims proprietary right in the material disclosed hereon. This drawing is issued in confidence for engineering information only and may not be reproduced or used to manufacture anything shown hereon without permission from THE TECHNICAL MATERIEL CORPORATION to the user. This drawing is loaned for mutual assistance and is subject to recall at any time.

Property of:
THE TECHNICAL MATERIEL CORPORATION
MAMARONECK, NEW YORK

NOTES:

- 1) PRINTED DIRECTLY ON FACE OF PLASTIC.
- 2) 7/64 (.109) DIA HOLES 4 REQUIRED.
- 3) MATERIAL: POLISHED WHITE OPAQUE VINYL PLASTIC.

SYM	DESCRIPTION	DATE	CH. NO.	DRAFTS	CHECKER	ENG. APP.
B	DIRECTLY REPLACED BY LD-623	3-25-63	8640	<i>[Signature]</i>	<i>[Signature]</i>	<i>[Signature]</i>
A	FINISH DELETED MATERIAL CLARIFIED	2-1-63	8168	<i>[Signature]</i>	<i>[Signature]</i>	<i>[Signature]</i>

UNLESS OTHERWISE SPECIFIED:
DIMENSIONS ARE IN INCHES
TOLERANCES N
FRACTIONS ± 1/64 DECIMALS ± .005 ANGLES ± 1/2°

SCALE: 1:1
MAXIMUM ALLOWABLE TOLERANCES HAVE BEEN DETERMINED AND ANY DEVIATIONS WILL BE CAUSE FOR REJECTION.
REMOVE ALL BURRS AND SHARP EDGES

SUPERSEDED

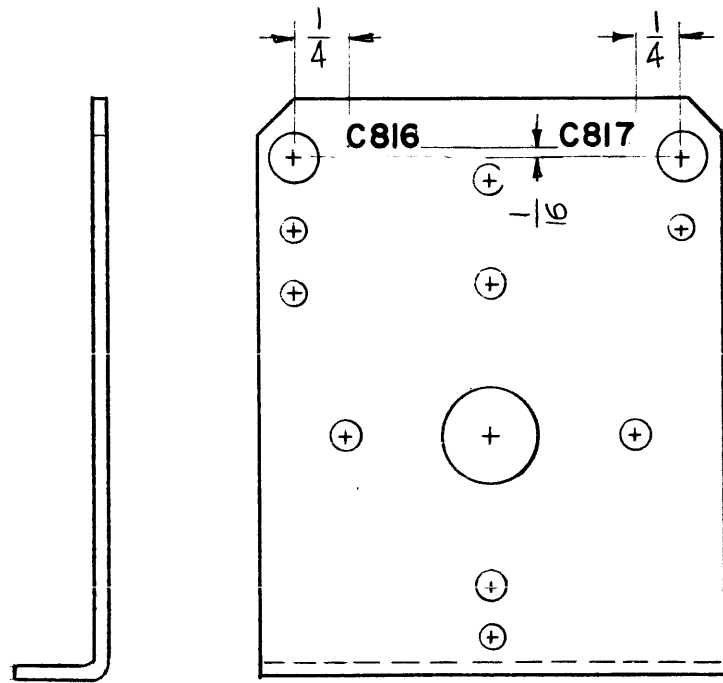
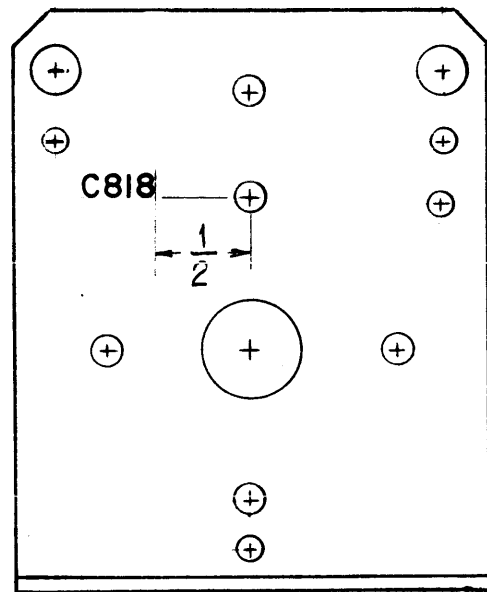
DIRECTLY REPLACED BY LD-623

3-25-63 *[Signature]*

REQ. PER UNIT	MODEL	SECTION	ASS'Y. NO.	DATE
1	TRC-3500/50			11-8-62
USED ON				

REQ. ITEM	PART NO.	DESCRIPTION		YMBOL
	.015 STOCK SIZE	THE TECHNICAL MATERIEL CORP. MAMARONECK, NEW YORK		
	SEE NOTE #3	SCHEMATIC DIAGRAM		
	MATERIAL	TR-153	TRC-3500	
		<i>[Signature]</i>	<i>[Signature]</i>	<i>[Signature]</i>
		DRAWN	CHECKED	FINAL APPROVAL
				LD-1154 B
		FINISH & SPEC. NO.	ELEC. DES. APP. MECH. DES. APP.	

LD-1161



REVISIONS

SYM	DESCRIPTION	DATE	E.M.N. NO.	DRAFT	CHKD	APPD
-----	-------------	------	------------	-------	------	------

1-MARKING PROCESS: AS PER TMC SPECIFICATION S-727
 2-LETTERING: 1/8 HIGH, BLACK GOTHIC, LOCATED AS SHOWN

NOTICE TO PERSONS RECEIVING THIS DRAWING

THE TECHNICAL MATERIEL CORPORATION claims proprietary right in the material disclosed hereon. This drawing is issued in confidence for engineering information only and may not be reproduced or used to manufacture anything shown hereon without permission from THE TECHNICAL MATERIEL CORPORATION to the user. This drawing is loaned for mutual assistance and is subject to recall at any time.

Property of:
 THE TECHNICAL MATERIEL CORPORATION
 MAMARONECK, NEW YORK

REF: MS-2223

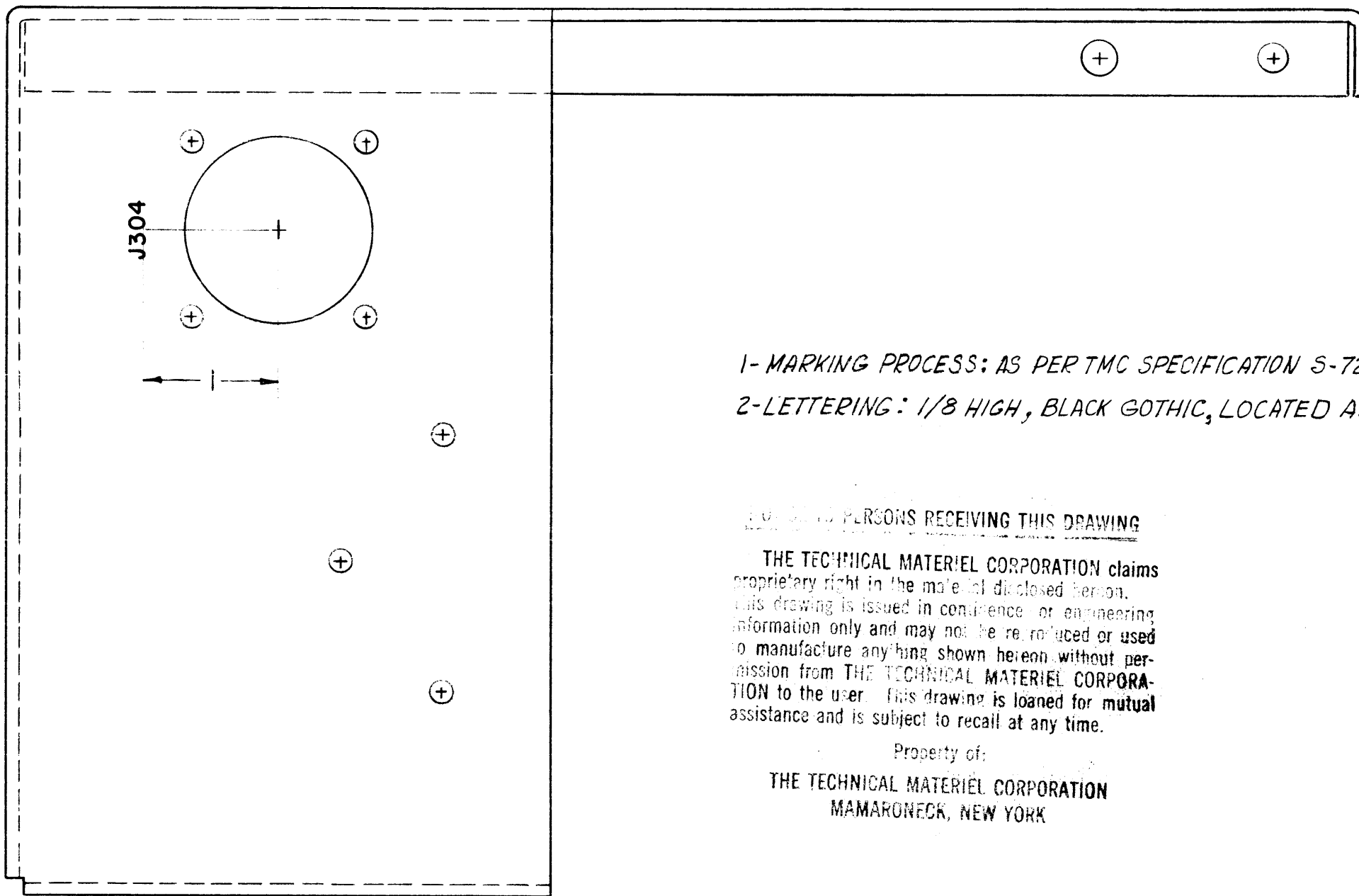
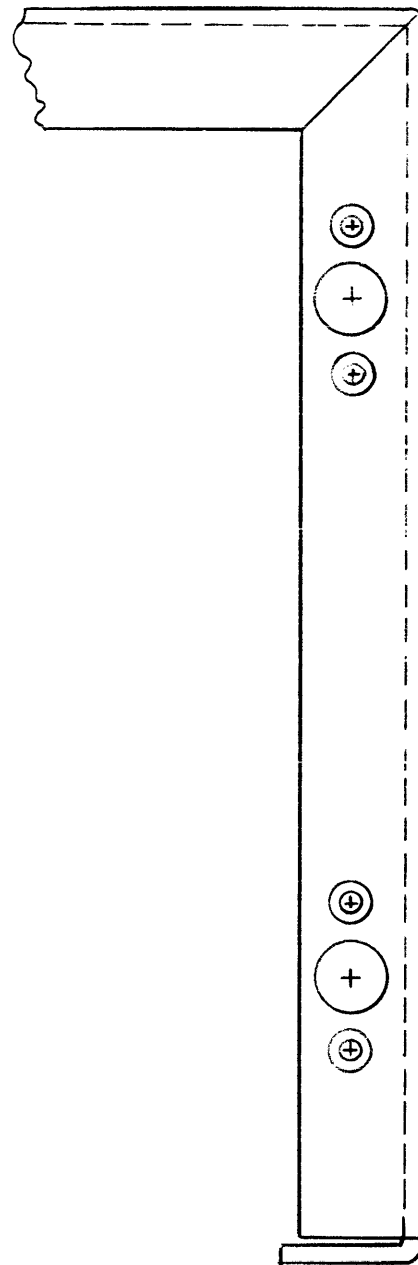
REQ'D.	ITEM	PART NUMBER	DESCRIPTION	SYMBOL
POSE LIST OF MATERIAL				
MATERIAL			THE TECHNICAL MATERIEL CORP. MAMARONECK, NEW YORK	
FINISH			TITLE <i>LETTERING, BRACKET MTG.</i>	
UNLESS OTHERWISE SPECIFIED DIMENSIONS ARE IN INCHES AND INCLUDE CHEMICALLY APPLIED OR PLATED FINISHES			DRAWN <i>G.D.L.</i>	DATE <i>11-8-62</i>
			CHECKED <i>J.D.</i>	DATE
			ELECT. DES.	DATE
			MECH. DES.	DATE
			<i>LD-1161</i>	
			SHEET	REV. LTR.

Q'TY./UNIT	MODEL USED ON	ASS'Y. NO.
1	<i>CLL-1</i>	
SCALE	CODE	
THE CONTENTS OF THIS DRAWING ARE THE EXCLUSIVE PROPERTY OF THE TECHNICAL MATERIEL CORP. ITS UNAUTHORIZED USE OR REPRODUCTION IN WHOLE OR IN PART IS STRICTLY FORBIDDEN.		

NOTES

THE CONTENTS OF THIS DRAWING ARE THE EXCLUSIVE PROPERTY OF THE TECHNICAL MATERIEL CORP. ITS UNAUTHORIZED USE OR REPRODUCTION IN WHOLE OR IN PART IS STRICTLY FORBIDDEN.

LD-1162



1- MARKING PROCESS: AS PER TMC SPECIFICATION S-727.
 2- LETTERING: 1/8 HIGH, BLACK GOTHIC, LOCATED AS SHOWN

NOTED PERSONS RECEIVING THIS DRAWING

THE TECHNICAL MATERIEL CORPORATION claims proprietary right in the material disclosed herein. This drawing is issued in confidence for engineering information only and may not be re-produced or used to manufacture anything shown hereon without permission from THE TECHNICAL MATERIEL CORPORATION to the user. This drawing is loaned for mutual assistance and is subject to recall at any time.

Property of:
 THE TECHNICAL MATERIEL CORPORATION
 MAMARONECK, NEW YORK

REF - MS-2134

REQ.	ITEM	PART NO.	DESCRIPTION	SYMBOL
			PRITCHARD	
			THE TECHNICAL MATERIEL CORP. MAMARONECK, NEW YORK	
			STOCK SIZE	
			LETTERING, LEFT SUPPORT PLATE	
			MATERIAL	
			G.D.L.	
			J.W.C.	
			R.P.	
			TYPE & TEMPER	
			HEAT TREAT. SPEC.	
			DRAWN	
			CHECKED	
			FINAL APPROVAL	
				LD-1162
			FINISH & SPEC. NO.	
			ELEC. DES. APP.	
			MECH. DES. APP.	

SYM	DESCRIPTION	DATE	CH. NO.	DRAFTS	CHECKER	ENG. APP.
	UNLESS OTHERWISE SPECIFIED:					
	DIMENSIONS ARE IN INCHES					
	TOLERANCES ON					
	FRACTIONS ± 1/64					
	DECIMALS ± .005					
	ANGLES ± 1/2°					
	REMOVE ALL BURRS AND SHARP EDGES					

REQ. PER UNIT	MODEL	SECTION	ASS'Y. NO.	DATE
1	CMD-1			11-8-62
1	CMD-2			11-8-62

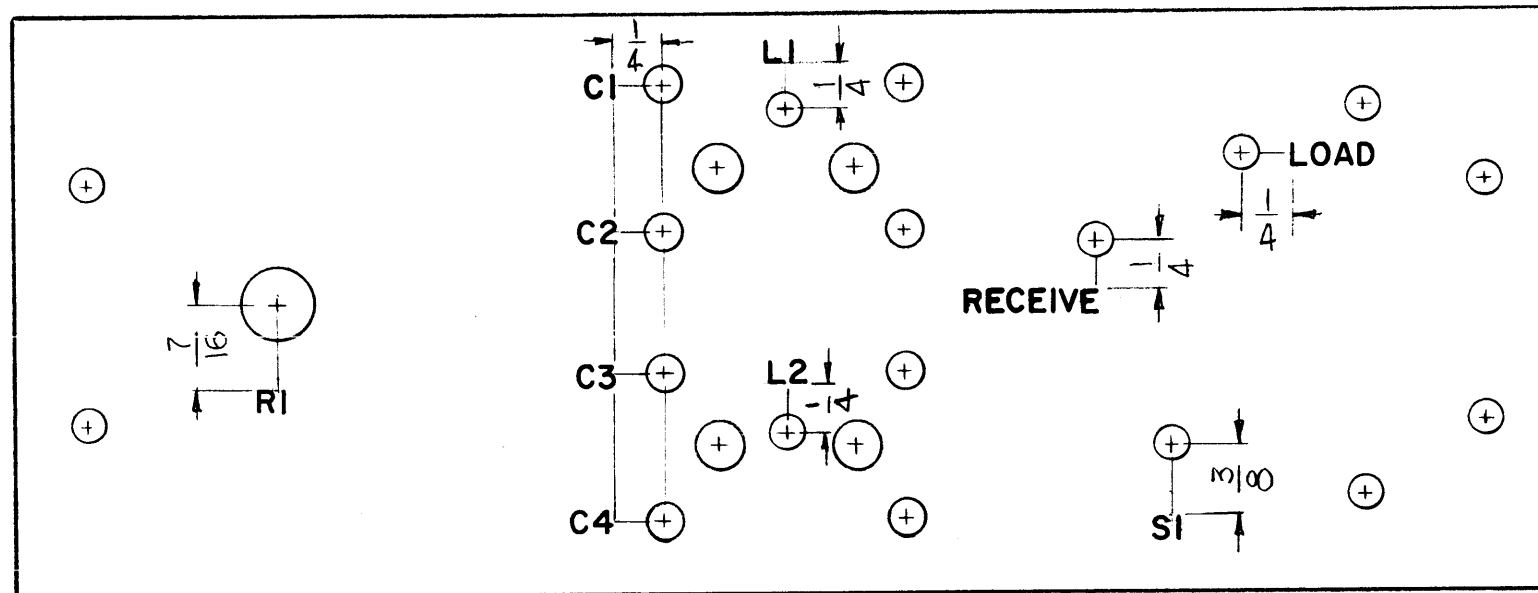
USED ON

LD-1163 A

THE CONTENTS OF THIS DRAWING ARE THE EXCLUSIVE PROPERTY OF THE TECHNICAL MATERIEL CORP. ITS UNAUTHORIZED USE OR REPRODUCTION IN WHOLE OR IN PART IS STRICTLY FORBIDDEN.

SUPERSEDED

DIRECTLY REPLACED BY A-115-2 EMN #7510
3-15-63



NOTICE TO PERSONS RECEIVING THIS DRAWING

THE TECHNICAL MATERIEL CORPORATION claims proprietary right in the material disclosed hereon. This drawing is issued in confidence for engineering information only and may not be reproduced or used to manufacture anything shown hereon without permission from THE TECHNICAL MATERIEL CORPORATION to the user. This drawing is loaned for mutual assistance and is subject to recall at any time.

Property of:
THE TECHNICAL MATERIEL CORPORATION
MAMARONECK, NEW YORK

- 1- MARKING PROCESS: As per TMC Specification S-727
- 2- LETTERING: 1/8 high, Black Gothic Located, as Shown.

REF: PX-103

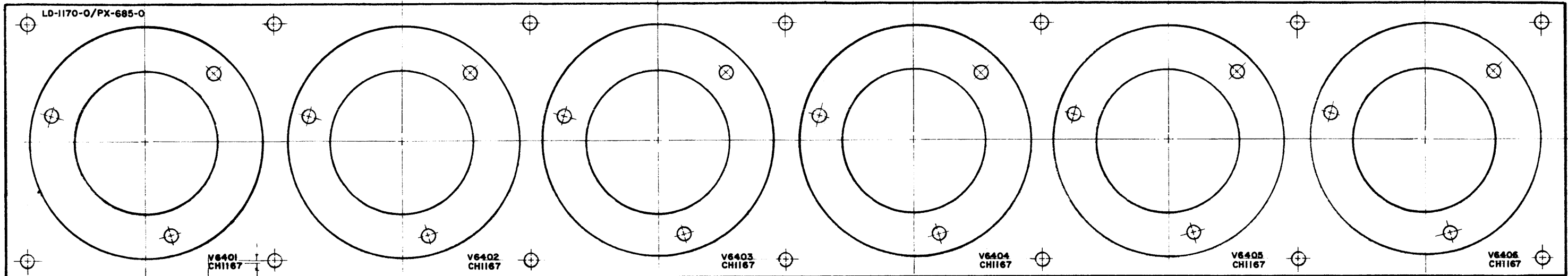
A	DIRECTLY REPLACED BY A-115-2	3-15-63	7510			
SYM	DESCRIPTION	DATE	CH. NO.	DRAFTS	CHECKER	ENG. APP.
UNLESS OTHERWISE SPECIFIED:		SCALE:				
DIMENSIONS ARE IN INCHES		MAXIMUM ALLOWABLE TOLERANCES HAVE BEEN DETERMINED AND ANY DEVIATIONS WILL BE CAUSE FOR REJECTION.				
TOLERANCES ON FRACTIONS ± 1/64 DECIMALS ± .05 ANGLES ± 1/2°		REMOVE ALL BURRS AND SHARP EDGES				

REQ. PER UNIT	1	BAC-2-S-20		A-114	11-8-62
		MODEL	SECTION	ASS'Y. NO.	DATE
USED ON					

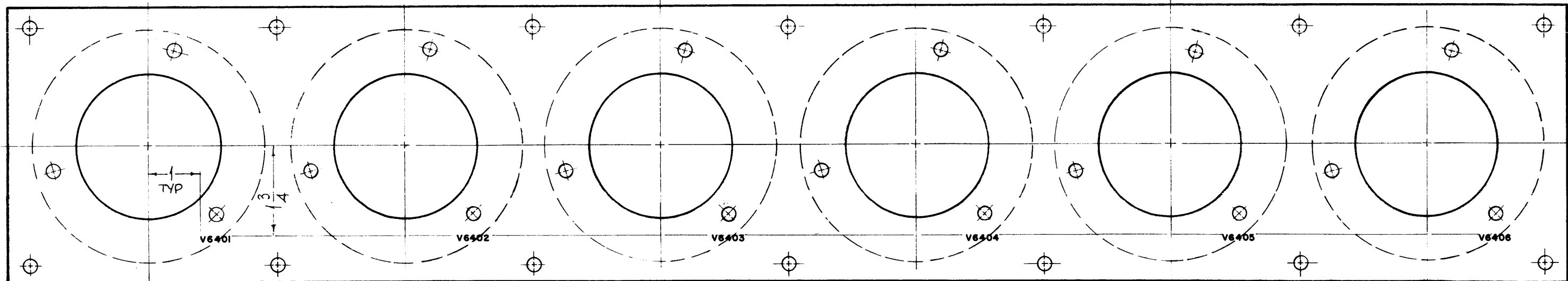
REQ.	ITEM	PART NO.	PRITCHARD DESCRIPTION			SYMBOL
			THE TECHNICAL MATERIEL CORP. MAMARONECK, NEW YORK			
STOCK SIZE			LETTERING, TERMINAL BOARD			
MATERIAL						
		G.D.L.	J.W.C.	B.P.		
		DRAWN	CHECKED	FINAL APPROVAL		
FINISH & SPEC. NO.			ELEC. DES. APP.	MECH. DES. APP.	LD-1163 A	

REVISIONS

SYM	DESCRIPTION	DATE	E.M.N. NO.	DRAFT	CHKD	APPD
0	ORIGINAL RELEASE FOR PRODUCTION	3-2-64		A.M.		



TOP VIEW



BOTTOM VIEW

MARKING PROCESS: AS PER TMC SPECIFICATION S-727.

LETTERING: 1/8 HIGH WHITE GOTHIC, LOCATED AS SHOWN.

NOTES

1	GPT-200K	AP-110
Q'TY./UNIT	MODEL USED ON	ASS'Y. NO.
SCALE	CODE	
	A	

THE CONTENTS OF THIS DRAWING ARE THE EXCLUSIVE PROPERTY OF THE TECHNICAL MATERIEL CORP. ITS UNAUTHORIZED USE OR REPRODUCTION IN WHOLE OR IN PART IS STRICTLY FORBIDDEN.

REQ'D.	ITEM	PART NUMBER	DESCRIPTION	SYMBOL
F. BUDETTI LIST OF MATERIAL				
MATERIAL			THE TECHNICAL MATERIEL CORP. MAMARONECK, NEW YORK	
FINISH			TITLE MARKING, BOARD, TUBE MOUNTING MARKING PROCESS: AS PER TMC SPECIFICATION S-727	
UNLESS OTHERWISE SPECIFIED DIMENSIONS ARE IN INCHES AND INCLUDE CHEMICALLY APPLIED OR PLATED FINISHES			DRAWN John C. Biale CHECKED GCS ELECT. DES. J.S.D. MECH. DES. J.S.D.	DATE 7-19-63 DATE 11/27/63 DATE 2/7/64 DATE 2/7/64
DECIMALS .X ± .05 .XX ± .01 .XXX ± .005			FRACTIONS ± 1/64 ANGLES ± 0° 30'	FINAL APPROVAL RAC LD-1170 SHEET 0 REV. LTR.

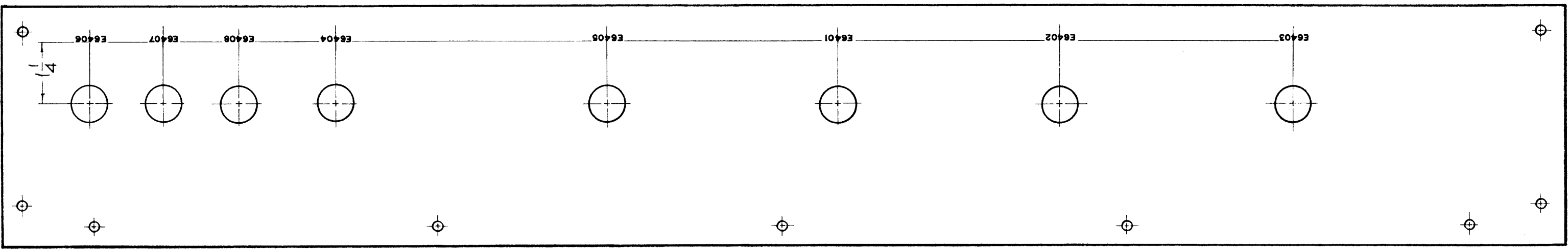
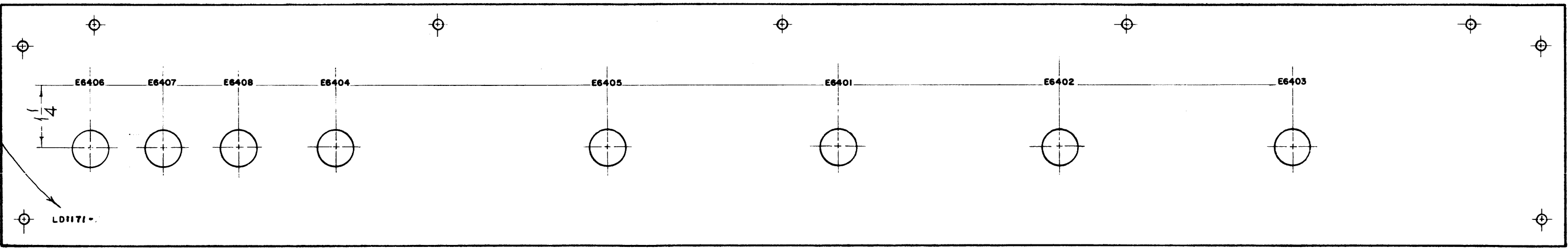
LD-1171 A

REVISIONS

SYM	DESCRIPTION	DATE	E.M.N. NO.	DRAFT	CHKD	APPD
0	ORIGINAL RELEASE FOR PRODUCTION	3-26-64		A.M.		
A	DELETED "/PX-687-0" FROM TMC Pt. No; Add "REF: PX 686"	1/17/66	15517	H.A.	JCB	AA

MARK TMC PART NO.
W/LATEST REV. LETTER.

REAR VIEW



FRONT VIEW

MARKING PROCESS: AS PER TMC SPECIFICATION S-727.
LETTERING: 1/8 HIGH WHITE GOTHIC,
LOCATED AS SHOWN.

NOTES

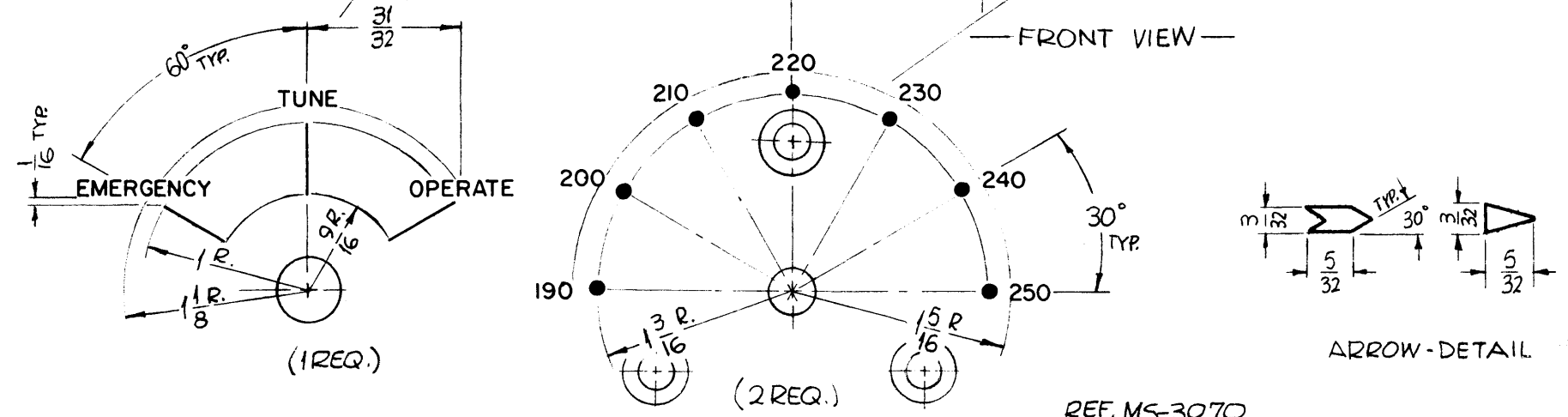
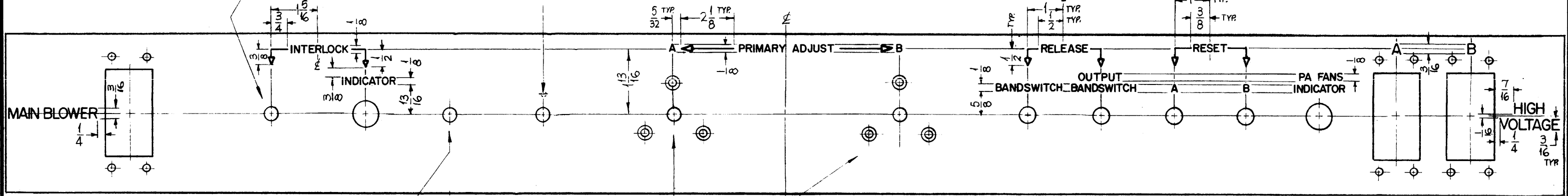
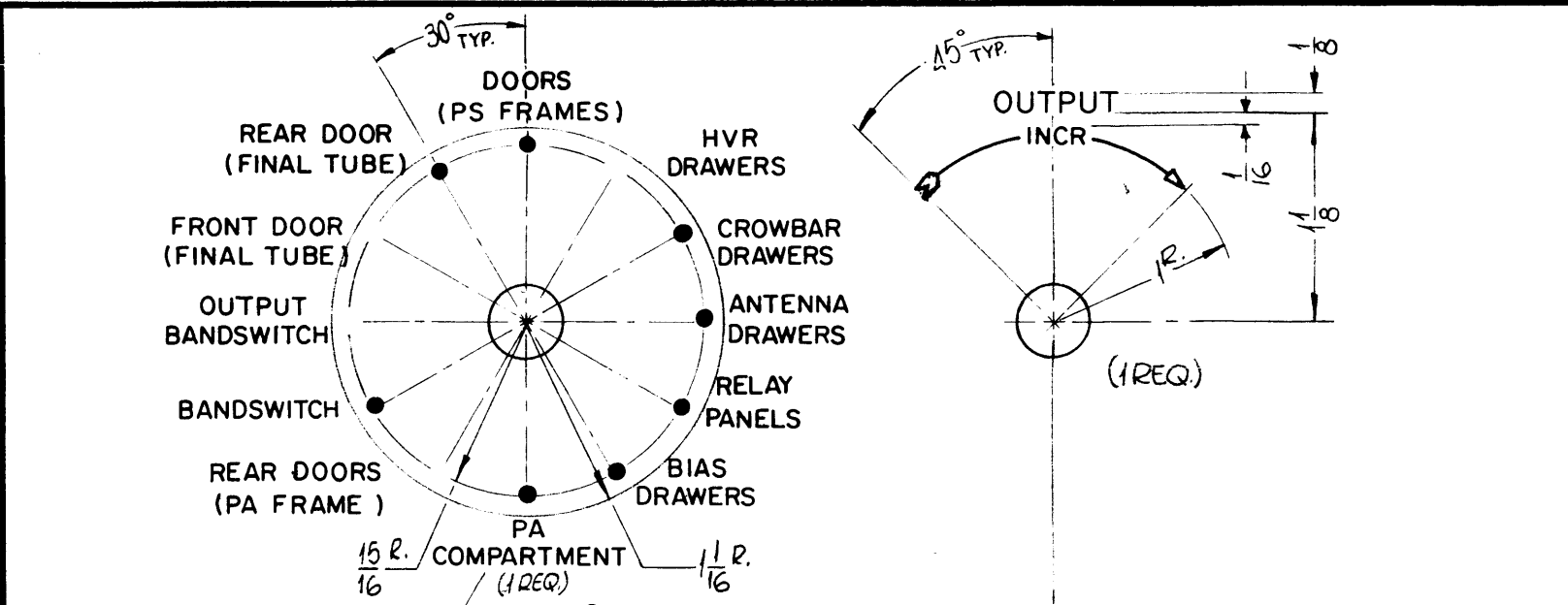
REF: PX 686

QTY./UNIT	MODEL USED ON	ASSY. NO.
1	GPT-200K	AP-110
SCALE	CODE	
	A	

THE CONTENTS OF THIS DRAWING ARE THE EXCLUSIVE PROPERTY OF THE TECHNICAL MATERIEL CORP. ITS UNAUTHORIZED USE OR REPRODUCTION IN WHOLE OR IN PART IS STRICTLY FORBIDDEN.

REQ'D.	ITEM	PART NUMBER	DESCRIPTION	SYMBOL
F. BUDETTI		LIST OF MATERIAL		
MATERIAL			THE TECHNICAL MATERIEL CORP. MAMARONECK, NEW YORK	
FINISH			TITLE MARKING, BOARD, MTG., H.V. CONTACTS MARKING PROCESS: AS PER TMC SPECIFICATION S-727	
UNLESS OTHERWISE SPECIFIED DIMENSIONS ARE IN INCHES AND INCLUDE CHEMICALLY APPLIED OR PLATED FINISHES			DRAWN John C Biele CHECKED JCB DATE 7-23-63 DATE 12/2/63 DATE 2/7/64 DATE 2/7/64	FINAL APPROVAL DATE LD-1171 SHEET
DECIMALS .X ± .05 .XX ± .01 .XXX ± .005	TOLERANCES ± 1/64 ANGLES ± 0° 30'		MECH. DES. J.S.	REV. LTR. A

LD-1179	REVISIONS						
	SYM	DESCRIPTION	DATE	E.M.N. NO.	DRAFT	CHKD	APPD
0	ORIGINAL RELEASE FOR PRODUCTION		3-2-64		A.M.		



LETTER HEIGHT	DEPTH OF STROKE	WIDTH OF STROKE
3/32	.010	.015
1/8	.010	.020
3/16	.010	.025
DOTS	.010	SEE NOTE 4
ARROWS	.010	.015
SOLID LINES	.010	.015

UNLESS OTHERWISE SPECIFIED

1~ ALL LETTERING 3/32

2~ ALL LETTER GROUPS TO BE CENTERED ON HOLES, CUTOUTS, OR INDICATING LINES AS THE CASE MAY APPLY.

3~ ENGRAVING TO BE GOTHIC, WHITE FILLED, SIZES SHOWN ON CHART.

4~ ALL DOTS TO BE 3/32 DIA. WHITE FILLED

5~ ALL ARROW HEADS 3/32 X 5/32, (DO NOT FILL)

6~ ALL LINES TO BE WHITE FILLED.

NOTES

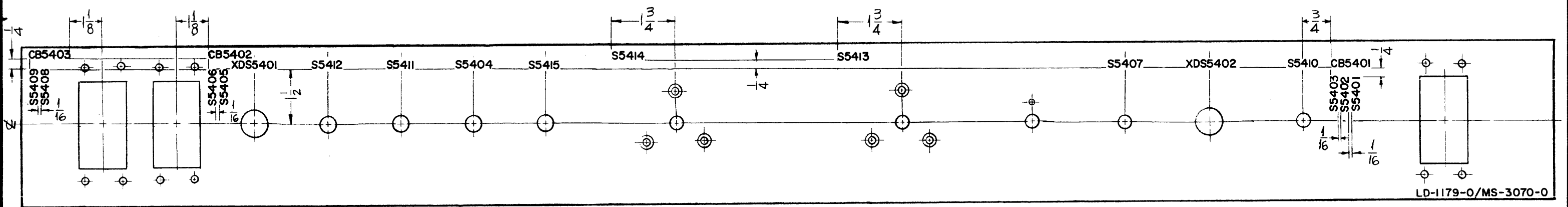
1	GPT-200K	AX-396
Q'TY./UNIT	MODEL USED ON	ASS'Y. NO.
SCALE	CODE	
DO NOT SCALE (3/8=1")	A	
THE CONTENTS OF THIS DRAWING ARE THE EXCLUSIVE PROPERTY OF THE TECHNICAL MATERIEL CORP. ITS UNAUTHORIZED USE OR REPRODUCTION IN WHOLE OR IN PART IS STRICTLY FORBIDDEN.		

REQ'D.	ITEM	PART NUMBER	DESCRIPTION	SYMBOL
F. BUDETTI LIST OF MATERIAL				
MATERIAL			THE TECHNICAL MATERIEL CORP. MAMARONECK, NEW YORK	
FINISH			TITLE MARKING, FRONT PANEL MARKING PROCESS: ENGRAVING	
UNLESS OTHERWISE SPECIFIED DIMENSIONS ARE IN INCHES AND INCLUDE CHEMICALLY APPLIED OR PLATED FINISHES			DRAWN SRG	DATE 1-3-64
DECIMALS .X ± .05 .XX ± .01 .XXX ± .005			CHECKED [Signature]	DATE 2/11/64
FRACTIONS ± 1/64 ANGLES ± 0° 30'			ELECT. DES. [Signature]	DATE 2/11/64
			MECH. DES. [Signature]	DATE 2/11/64
			FINAL APPROVAL [Signature]	
			LD-1179	
			SHEET 1 OF 2	
			REV. LTR.	

LD-1179-0

REVISIONS

SYM	DESCRIPTION	DATE	E.M.N. NO.	DRAFT	CHKD	APPD
0	ORIGINAL RELEASE FOR PRODUCTION	3-2-64		A.M.		



LD-1179-0/MS-3070-0

— REAR VIEW —

MARKING PROCESS: AS PER TMC SPECIFICATION S-727.

LETTERING: 1/8 HIGH BLACK GOTHIC, LOCATED AS SHOWN.

REF: MS-3070

REQ'D.	ITEM	PART NUMBER	DESCRIPTION	SYMBOL
F. BUDETTI LIST OF MATERIAL				
MATERIAL			THE TECHNICAL MATERIEL CORP. MAMARONECK, NEW YORK	
FINISH			TITLE MARKING FRONT PANEL MARKING PROCESS AS PER TMC SPECS. S-727	
UNLESS OTHERWISE SPECIFIED DIMENSIONS ARE IN INCHES AND INCLUDE CHEMICALLY APPLIED OR PLATED FINISHES			DRAWN SRG DATE 1-2-64	FINAL APPROVAL DATE
DECIMALS .X ± .05 .XX ± .01 .XXX ± .005			CHECKED GJB DATE 2/12/64	LD-1179
FRACTIONS ± 1/64 ANGLES ± 0° 30'			ELECT. DES. F.B.H. DATE 2-12-64	0
TOLERANCES			MECH. DES. S.D.	REV. LTR.
			DATE 2-12-64	SHEET 2 OF 2

1	GPT-200K	AX-396
Q'TY./UNIT	MODEL USED ON	ASS'Y. NO.
SCALE 3/8 = 1"	CODE A	

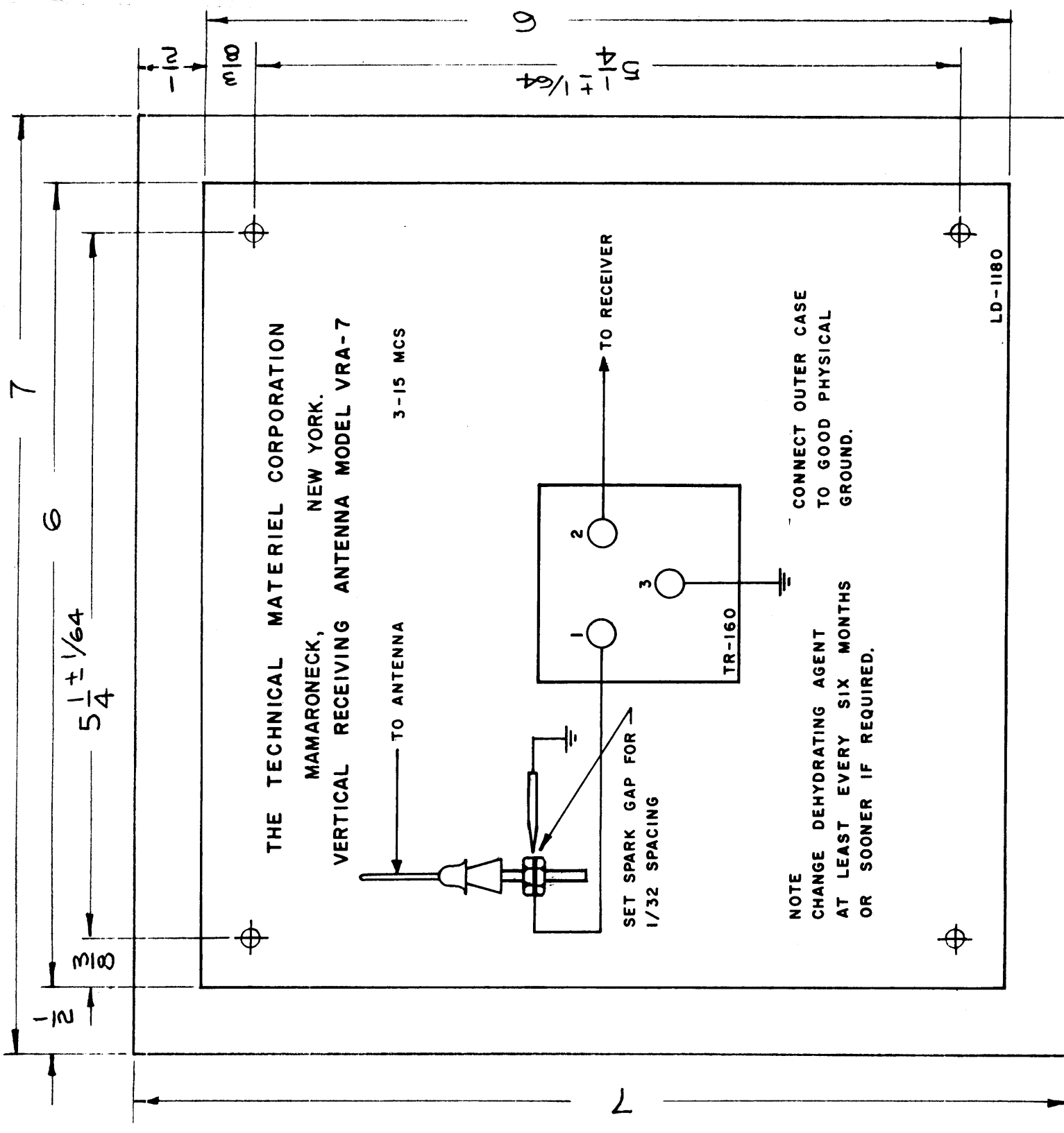
THE CONTENTS OF THIS DRAWING ARE THE EXCLUSIVE PROPERTY OF THE TECHNICAL MATERIEL CORP. ITS UNAUTHORIZED USE OR REPRODUCTION IN WHOLE OR IN PART IS STRICTLY FORBIDDEN.

NOTES

LD 1180

SYM	DESCRIPTION	DATE	E.M.N. NO.	DRAFT	CHKD	APPD
A	NOTE OBSOLETE ADD	6-27-63		BDL		

LD-1180



ALL HOLES $\frac{7}{64}$ (.109) DIA

NOTICE TO PERSONS RECEIVING THIS DRAWING

THE TECHNICAL MATERIEL CORPORATION claims proprietary right in the material disclosed hereon. This drawing is issued in confidence for engineering information only and may not be reproduced or used to manufacture anything shown hereon without permission from THE TECHNICAL MATERIEL CORPORATION to the user. This drawing is loaned for mutual assistance and is subject to recall at any time.

Property of:
THE TECHNICAL MATERIEL CORPORATION
 MAMARONECK, NEW YORK

- NOTES:**
1. PRINTED DIRECTLY ON FACE OF PLASTIC.
 2. MATERIAL: WHITE OPAQUE VINYL PLASTIC, POLISHED.

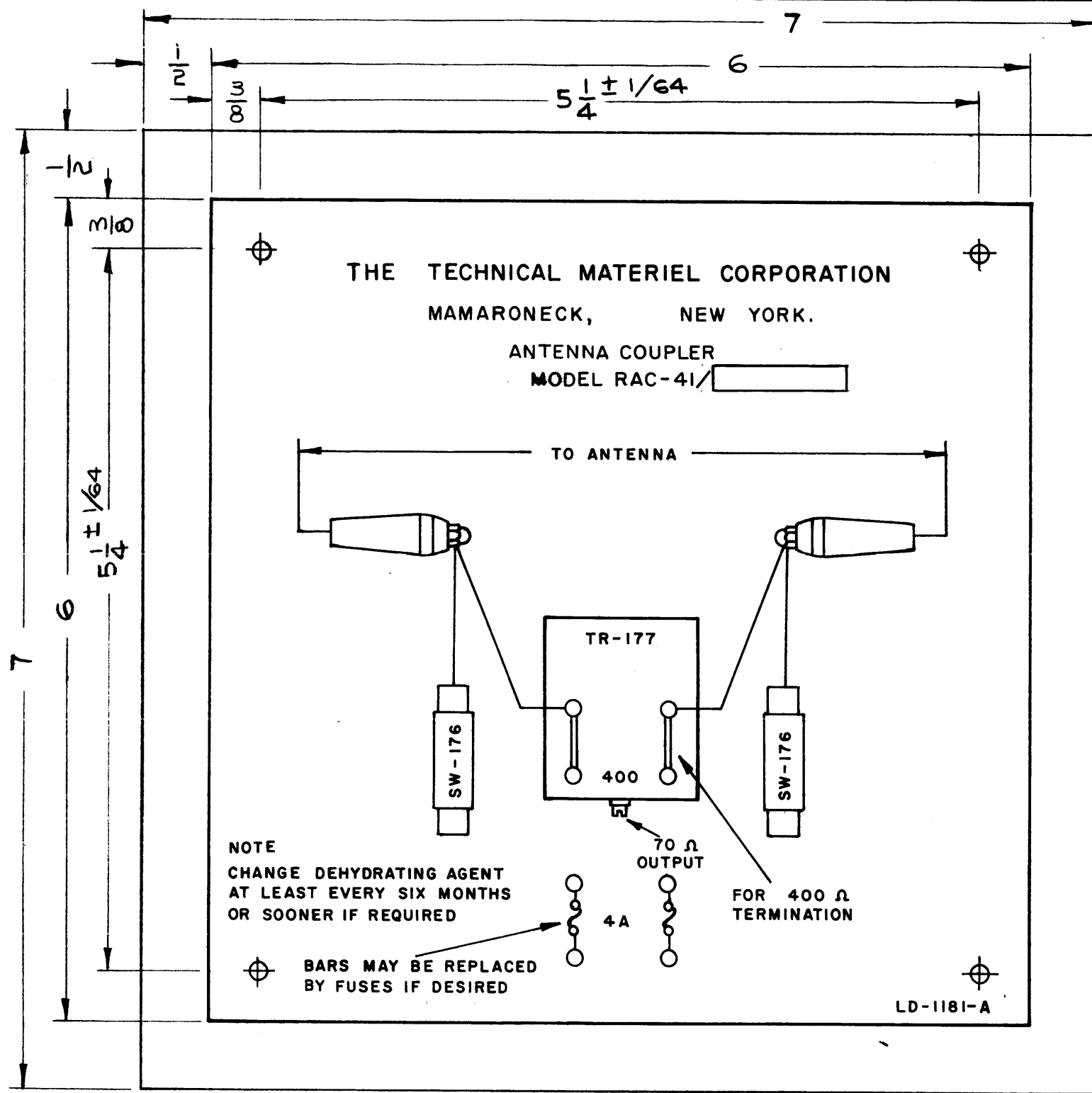
OBSOLETE —
 USE LD 2340-A

NOTES

THE CONTENTS OF THIS DRAWING ARE THE EXCLUSIVE PROPERTY OF THE TECHNICAL MATERIEL CORP. ITS UNAUTHORIZED USE OR REPRODUCTION IN WHOLE OR IN PART IS STRICTLY FORBIDDEN.

REQ'D.	ITEM	PART NUMBER	DESCRIPTION	SYMBOL
	STRUMER		LIST OF MATERIAL	
	SEE NOTE 2		THE TECHNICAL MATERIEL CORP. MAMARONECK, NEW YORK	
	FINISH		TITLE SCHEMATIC DIAGRAM	
			DRAWN <i>MB</i>	DATE 1-22-63
			CHECKED <i>File</i>	DATE 1-23-63
			ELECT <i>File</i>	DATE 1-23-63
			MECH <i>Thumme</i>	DATE 1-23-63
			FINAL APPROVAL <i>BP</i>	DATE
			LD-1180	SHEET
				REV. LTR. A

QTY./UNIT	SCALE	MODEL USED ON	ASSY. NO.
1		VRA-7	



LD-1181 A

REVISIONS					
SYM	DESCRIPTION	DATE	E.M.N. NO.	DRAFT	CHKD APPD
A	MODEL # WAS RAC-41/AX- NOTES UPDATED	7.31.64	11821	WB	<i>[Signature]</i>

NOTICE TO PERSONS RECEIVING THIS DRAWING

THE TECHNICAL MATERIEL CORPORATION claims proprietary right in the material disclosed hereon. This drawing is issued in confidence for engineering information only and may not be reproduced or used to manufacture anything shown hereon without permission from THE TECHNICAL MATERIEL CORPORATION to the user. This drawing is loaned for mutual assistance and is subject to recall at any time.

- NOTE:**
1. PRINTED DIRECTLY ON FACE OF PLASTIC.
 2. MATERIAL: POLISHED WHITE OPAQUE VINYL PLASTIC .015 THK.
 3. 3/16 X 1 BLOCK, AREA TO BE UNPOLISHED.
 4. MTG HOLES 7/64 (.109) DIA. 4 REQ.

Property of:
THE TECHNICAL MATERIEL CORPORATION
MAMARONECK, NEW YORK

NOTE
CHANGE DEHYDRATING AGENT
AT LEAST EVERY SIX MONTHS
OR SOONER IF REQUIRED

BARS MAY BE REPLACED
BY FUSES IF DESIRED

LD-1181-A

REQ'D.	ITEM	PART NUMBER	DESCRIPTION	SYMBOL
LIST OF MATERIAL				
MATERIAL		THE TECHNICAL MATERIEL CORP. MAMARONECK, NEW YORK		
SEE NOTE 2		TITLE SCHEMATIC DIAGRAM		
FINISH		DRAWN <i>[Signature]</i> DATE 1-24-63		
UNLESS OTHERWISE SPECIFIED DIMENSIONS ARE IN INCHES AND INCLUDE CHEMICALLY APPLIED OR PLATED FINISHES		CHECKED <i>[Signature]</i> DATE 1-28-63		FINAL APPROVAL <i>[Signature]</i> DATE
DECIMALS .X ± .05 .XX ± .01 .XXX ± .005		FRACTIONS ± 1/64 ANGLES ± 0° 30'		ELECT. DES. DATE
TOLERANCES		MECH. DES. DATE		LD-1181 A
THE CONTENTS OF THIS DRAWING ARE THE EXCLUSIVE PROPERTY OF THE TECHNICAL MATERIEL CORP. ITS UNAUTHORIZED USE OR REPRODUCTION IN WHOLE OR IN PART IS STRICTLY FORBIDDEN.				REV. LTR.

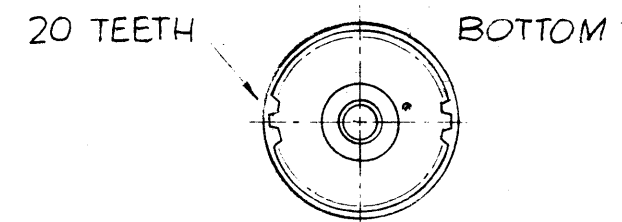
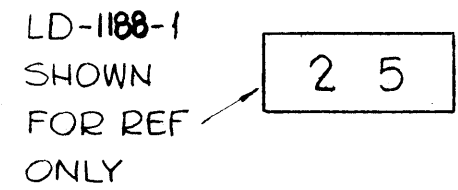
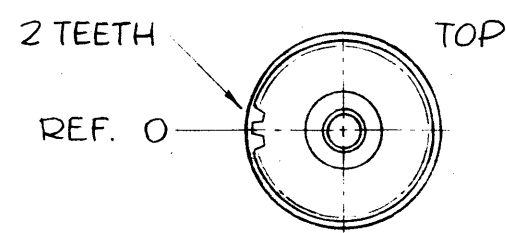
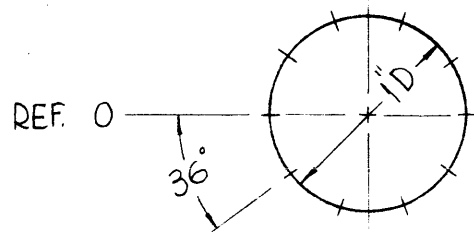
1	RAC-41	
Q'TY./UNIT	MODEL USED ON	ASSY. NO.
SCALE	CODE	

NOTES

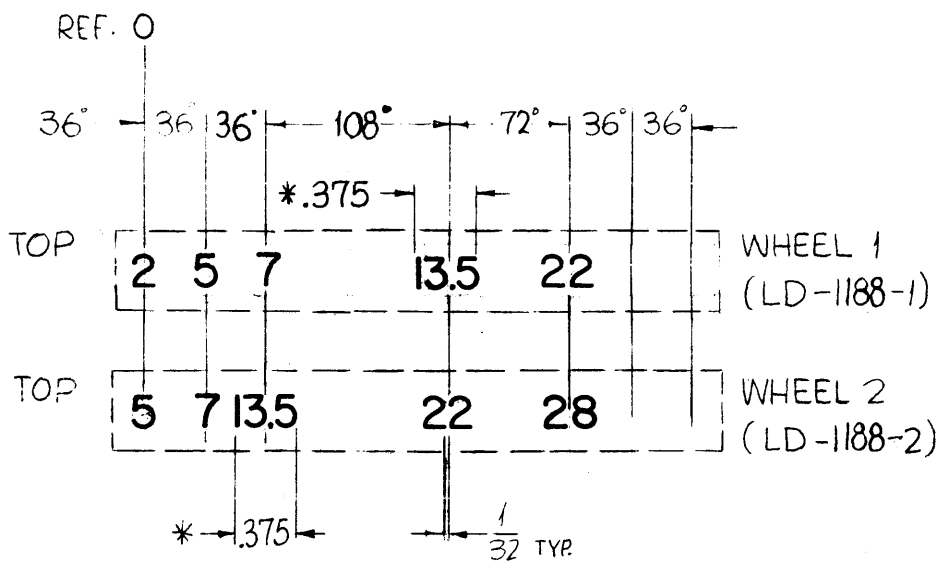
LD-1188 0

REVISIONS

SYM	DESCRIPTION	DATE	E.M.N. NO.	DRAFT	CHKD	APPD
0	ORIGINAL RELEASE FOR PRODUCTION	5-18-64		SRG		



WHEEL DETAIL



WHEEL LETTERING DETAILS

NOTES~

- 1~ FIGURES ~ 18 POINT ALTERNATE BLACK GOTHIC NO 2
- 2~ BACKGROUND ~ WHITE
- 3~ SPACING ~ DOUBLE FIGURES 1/32 APART
SINGLE FIGURES CENTERED ON 36°
- 4~ USE DWG. LD-617 FOR 3RD WHEEL.
- 5~ FIGURES 13.5 SHOULD BE AS EQUALLY SPACED AS POSSIBLE WITHIN A (.375) SPACING.

FOR TMC USE~

USE BLANK WHEEL OF CY-106 AFTER DISASSEMBLING AS PER STEPS 1 & 2 OF TMC DWG A-1820 (4)

* SEE NOTE - 5

NOTES

	GPT-200K	AX-395
Q'TY./UNIT	MODEL USED ON	ASS'Y. NO.
SCALE	CODE	8A-3116-1

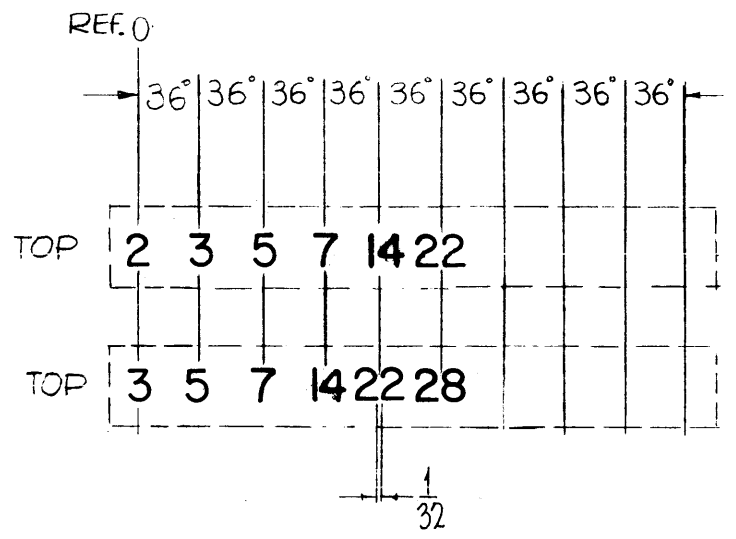
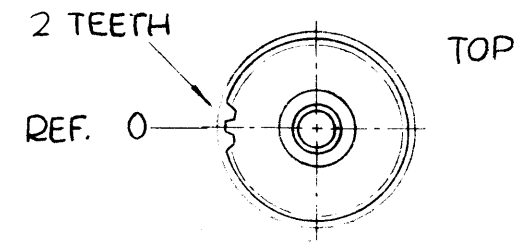
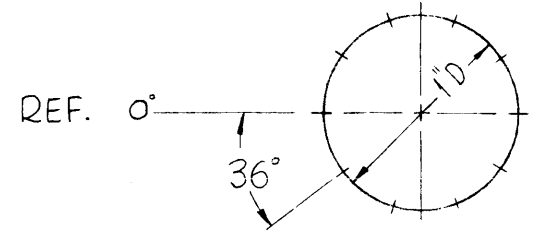
THE CONTENTS OF THIS DRAWING ARE THE EXCLUSIVE PROPERTY OF THE TECHNICAL MATERIEL CORP. ITS UNAUTHORIZED USE OR REPRODUCTION IN WHOLE OR IN PART IS STRICTLY FORBIDDEN.

REQ'D.	ITEM	PART NUMBER	DESCRIPTION	SYMBOL
F. BUDETTI LIST OF MATERIAL				
MATERIAL			THE TECHNICAL MATERIEL CORP. MAMARONECK, NEW YORK	
FINISH			TITLE TT-1, LETTERING WHEELS, AC-173 ASS'Y	
UNLESS OTHERWISE SPECIFIED DIMENSIONS ARE IN INCHES AND INCLUDE CHEMICALLY APPLIED OR PLATED FINISHES			DRAWN SRG	DATE 2-9-63
			CHECKED	DATE
			ELECT. DES. SRG	DATE 3/19/64
			MECH. DES. SRG	DATE 3/10/64
FINAL APPROVAL KAC				DATE
LD-1188				0
SHEET				REV. LTR.

LD-1189
0

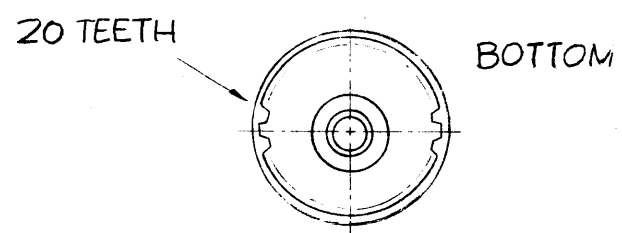
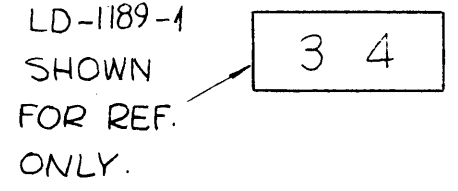
REVISIONS

SYM	DESCRIPTION	DATE	E.M.N. NO.	DRAFT	CHKD	APPD
X2	WHEEL LETTERING WAS 2-3, 3-4, 4-7, 7-11, 11-19, 19-28	11-21-63				
X3	ON LD-1189-1, #13 WAS 11, ON LD-1189-2, #13 WAS 11	11-12-63				
X4	ON LD-1189-1 #14 WAS #13, ON LD-1189-2 #14 WAS #13	11-26-63				
X5	ON LD-1189-1 #15 WAS #14, #22 WAS #19, ON LD-1189-2 #15 WAS #14, #22 WAS #19	12-16-63				
X6	14 WAS 15 ON BOTH WHEELS	2-17-64			SRG	
0	ORIGINAL RELEASE FOR PRODUCTION	5-18-64			SRG	



WHEEL 1
(LD-1189-1)

WHEEL 2
(LD-1189-2)



WHEEL DETAIL

WHEEL LETTERING DETAILS

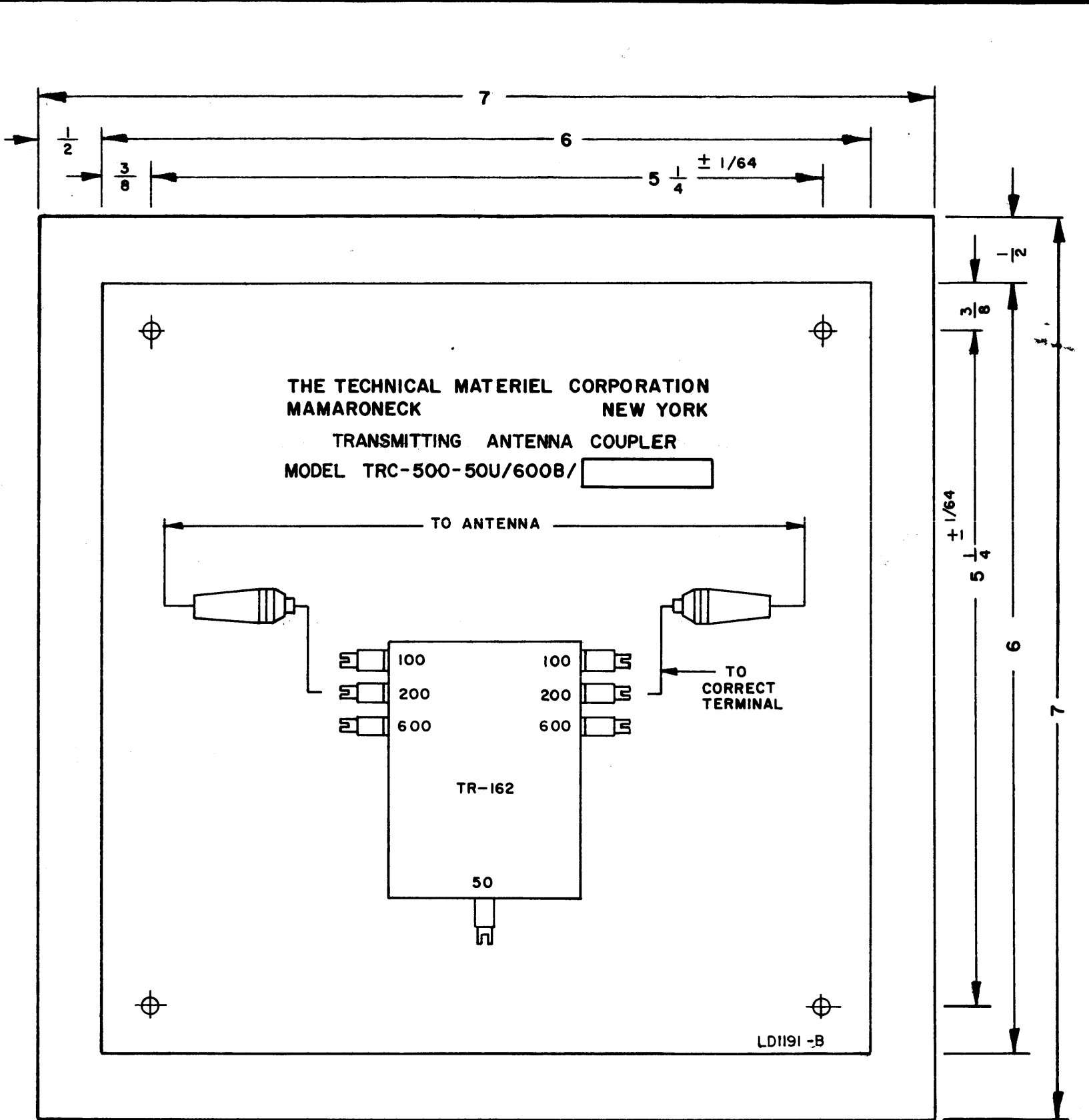
NOTES

- 1~ FIGURES ~ 18 POINT ALTERNATE BLACK GOTHIC NO. 2
- 2~ BACKGROUND ~ WHITE
- 3~ SPACING ~ DOUBLE FIGURES 1/32 APART, SINGLE FIGURES CENTERED ON 36°
- 4~ USE DWG. LD-617 FOR 3RD WHEEL.

FOR TMC USE ~

USE BLANK WHEEL OF CY-106 AFTER DISASSEMBLING AS PER STEPS 1 & 2 OF TMC DWG. A-1820 (4)

REQ'D.	ITEM	PART NUMBER	DESCRIPTION	SYMBOL										
F. BUDETTI LIST OF MATERIAL														
MATERIAL			THE TECHNICAL MATERIEL CORP. MAMARONECK, NEW YORK											
FINISH			TITLE #2, LETTERING WHEELS, AC-174 ASSY											
UNLESS OTHERWISE SPECIFIED DIMENSIONS ARE IN INCHES AND INCLUDE CHEMICALLY APPLIED OR PLATED FINISHES			DRAWN SRG	DATE 2-9-63										
			CHECKED aa	DATE										
			ELECT. DES. OB	DATE 3/19/64										
			MECH. DES. Rae	DATE 3/18/64										
<table border="1" style="width: 100%;"> <tr> <td>Q'TY./UNIT</td> <td>MODEL USED ON</td> <td>ASS'Y. NO.</td> </tr> <tr> <td>SCALE</td> <td>CODE</td> <td>8A-3116-2</td> </tr> </table>				Q'TY./UNIT	MODEL USED ON	ASS'Y. NO.	SCALE	CODE	8A-3116-2	<table border="1" style="width: 100%;"> <tr> <td>FINAL APPROVAL Rae</td> <td>DATE</td> </tr> <tr> <td>LD-1189</td> <td>0</td> </tr> </table>	FINAL APPROVAL Rae	DATE	LD-1189	0
Q'TY./UNIT	MODEL USED ON	ASS'Y. NO.												
SCALE	CODE	8A-3116-2												
FINAL APPROVAL Rae	DATE													
LD-1189	0													
<p>THE CONTENTS OF THIS DRAWING ARE THE EXCLUSIVE PROPERTY OF THE TECHNICAL MATERIEL CORP. ITS UNAUTHORIZED USE OR REPRODUCTION IN WHOLE OR IN PART IS STRICTLY FORBIDDEN.</p>			<p>DECIMALS .X ± .05 .XX ± .01 .XXX ± .005</p>	<p>FRACTIONS ± 1/64 ANGLES ± 0 30'</p>										
NOTES														



LD 1191 -B

REVISIONS						
SYM	DESCRIPTION	DATE	E.M.N. NO.	DRAFT	CHKD	APPD
A	LETTERING & MODEL # CLARIFIED	8-29-63	9817	AK	SK	WSE
B	ADD. STEP 4. ADD "TRANSMITTING" & RELOC. LETTERING	11/10/66	17229	RME	CA	OSB
C	ADD OBSOLETE NOTE	4/7/73	21058	GE	BJ	CP

SUPERSEDED
 DIRECTLY REPLACED BY
LD 2451

- NOTES:
1. PRINT DIRECTLY ON FACE OF PLASTIC
 2. MAT'L: POLISHED WHITE OPAQUE VINYL, .015 TH'K.
 3. 4 HOLES 7/64 (.109) DIA. REQ'D.
 4. 3/16 x 1 BLOCK AREA TO BE UNPOLISHED.

~~SUPERSEDED~~
~~DIRECTLY REPLACED BY~~
~~LD 2451~~
OBSOLETE

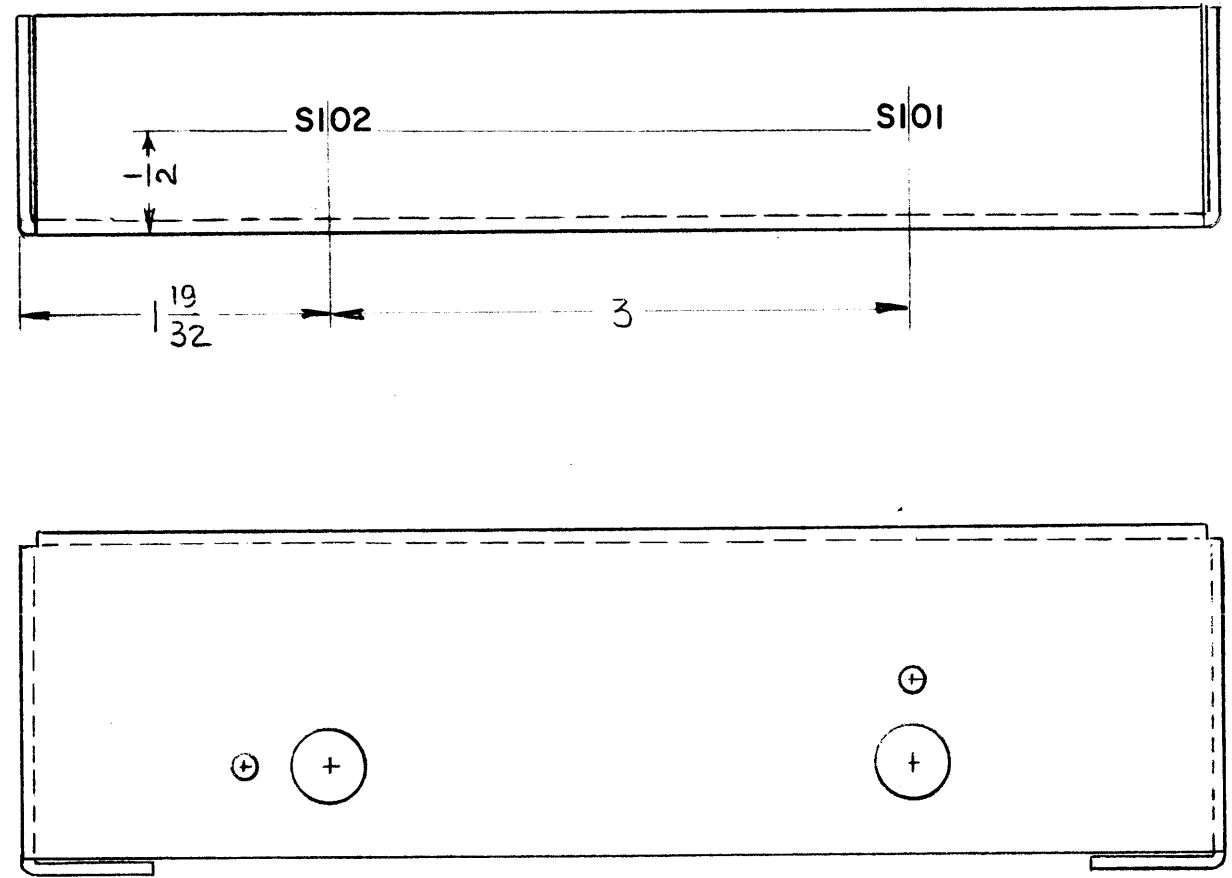
1	TRC-500-50U/600B	
Q'TY./UNIT	MODEL USED ON	ASS'Y. NO.
SCALE	CODE	
THE CONTENTS OF THIS DRAWING ARE THE EXCLUSIVE PROPERTY OF THE TECHNICAL MATERIEL CORP. ITS UNAUTHORIZED USE OR REPRODUCTION IN WHOLE OR IN PART IS STRICTLY FORBIDDEN.		

REQ'D.	ITEM	PART NUMBER	DESCRIPTION	SYMBOL
PRITCHARD LIST OF MATERIAL				
MATERIAL SEE NOTE 2			THE TECHNICAL MATERIEL CORP. MAMARONECK, NEW YORK	
FINISH SEE NOTE 2			TITLE SCHEMATIC DIAGRAM MODEL TRC-500-50U/600B	
UNLESS OTHERWISE SPECIFIED DIMENSIONS ARE IN INCHES AND INCLUDE CHEMICALLY APPLIED OR PLATED FINISHES			DRAWN L.Z.	DATE 2-27-63
			CHECKED J.D.	DATE 2-27-63
			ELECT. DES.	DATE
			MECH. DES.	DATE
			FINAL APPROVAL BP LD 1191	
			DATE	
			SHEET	
			REV. LTR. C	

NOTES

LD-1192

THE CONTENTS OF THIS DRAWING ARE THE EXCLUSIVE PROPERTY OF THE TECHNICAL MATERIEL CORP. ITS UNAUTHORIZED USE OR REPRODUCTION IN WHOLE OR IN PART IS STRICTLY FORBIDDEN.



- UNLESS OTHERWISE SPECIFIED -
 MARKING PROCESS : AS PER TMC SPECIFICATION S-727
 LETTERING : 1/8 HIGH, STROKE .020 WIDTH, BLACK LUSTERLESS GOTHIC.

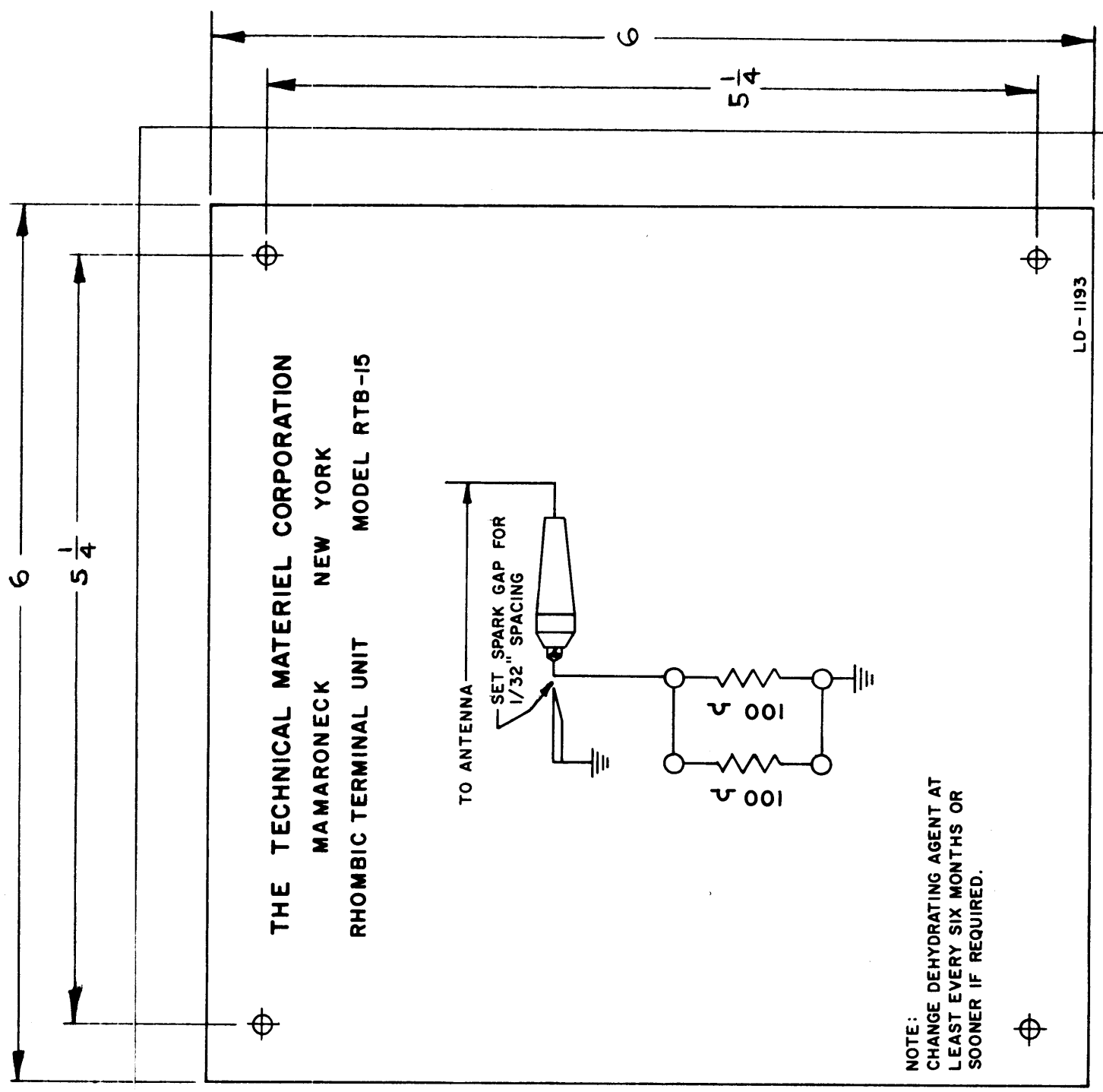
REF: DWG. MS-2937

REQ.	ITEM	PART NO.	STRUMER	DESCRIPTION	SYMBOL
		THE TECHNICAL MATERIEL CORP. MAMARONECK, NEW YORK			
		LETTERING, BRACKET SUPPORT SWITCH			
		G.D.L. <i>3/12/63</i>			
		TYPE & TEMPER		HEAT TREAT. SPEC.	
		DRAWN		CHECKED	
		<i>JMA</i>		<i>D. [unclear]</i>	
		FINISH & SPEC. NO.		ELEC. DES. APP. MECH. DES. APP.	
				LD-1192	

SYM	DESCRIPTION	DATE	CH. NO.	DRAFTS	CHECKER	ENG. APP.
UNLESS OTHERWISE SPECIFIED:						
DIMENSIONS ARE IN INCHES						
TOLERANCES ON						
FRACTIONS ± 1/64 DECIMALS ± .005 ANGLES ± 1/2°						
SCALE:						
MAXIMUM ALLOWABLE TOLERANCES HAVE BEEN DETERMINED AND ANY DEVIATIONS WILL BE CAUSE FOR REJECTION.						
REMOVE ALL BURRS AND SHARP EDGES						

REQ. PER UNIT	MODEL	SECTION	ASS'Y. NO.	DATE
	TRX-1			2-27-63
USED ON				

LD-1193



THE TECHNICAL MATERIEL CORPORATION
MAMARONECK NEW YORK
RHOMBIC TERMINAL UNIT MODEL RTB-15

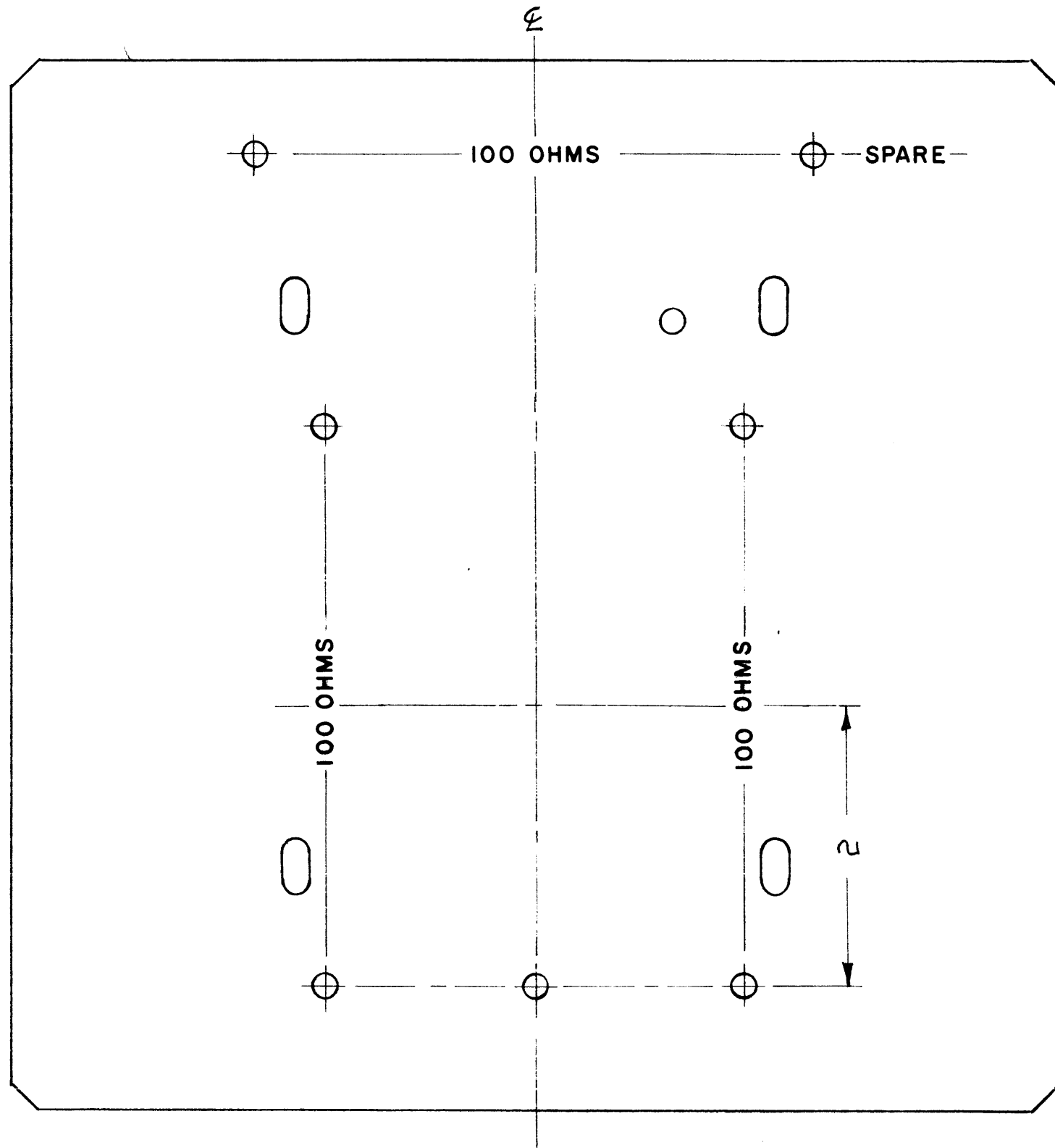
- NOTES:
1. PRINT DIRECTLY ON FACE OF PLASTIC.
 2. MATERIAL: .015 TH'K. POLISHED WHITE OPAQUE VINYL.
 3. 4 HOLES, 1/8 (.125) DIA. REQ'D.

REQ'D.	ITEM	PART NUMBER	DESCRIPTION	SYMBOL
	FRITCHARD		LIST OF MATERIAL	
	SEE NOTE 2		THE TECHNICAL MATERIEL CORP. MAMARONECK, NEW YORK	
	#		SCHEMATIC DIAGRAM MODEL RTB-15	
			DRAWN <i>L.H.</i>	DATE 2-28-63
			CHECKED <i>F.D.</i>	DATE 3-4-63
			ELECT. DES.	DATE
			MECH. DES.	DATE
			FINAL APPROVAL <i>BP</i>	DATE
			LD-1193	SHEET

QTY./UNIT	MODEL USED ON	ASBY. NO.
1	RTB-15	A-313A
SCALE	CODE	
FULL		

THE CONTENTS OF THIS DRAWING ARE THE EXCLUSIVE PROPERTY OF THE TECHNICAL MATERIEL CORP. ITS UNAUTHORIZED USE OR REPRODUCTION IN WHOLE OR IN PART IS STRICTLY FORBIDDEN.

NOTES



LD-1194

NOTE:
ALL LETTERING 1/8 HIGH BLACK, GOTHIC
PER TMC SPEC S-727 LOCATED AS SHOWN.

REF: MS-3117

REQ'D.	ITEM	PART NUMBER	DESCRIPTION	SYMBOL
STEIN LIST OF MATERIAL				
MATERIAL			THE TECHNICAL MATERIEL CORP. MAMARONECK, NEW YORK	
FINISH			TITLE LETTERING RESISTOR & MOUNTING PLATE	
UNLESS OTHERWISE SPECIFIED DIMENSIONS ARE IN INCHES AND INCLUDE CHEMICALLY APPLIED OR PLATED FINISHES			DRAWN <i>JW</i> CHECKED <i>Jde</i> ELECT. DES. MECH. DES. <i>KMH</i>	DATE 5-14-63 DATE 5-14-63 DATE DATE 5/17/63
DECIMALS .X ± .05 .XX ± .01 .XXX ± .005			FRACTIONS ± 1/64 ANGLES ± 0° 30'	FINAL APPROVAL <i>YFH</i> DATE 5-16-63 LD-1194 SHEET REV. LTR.

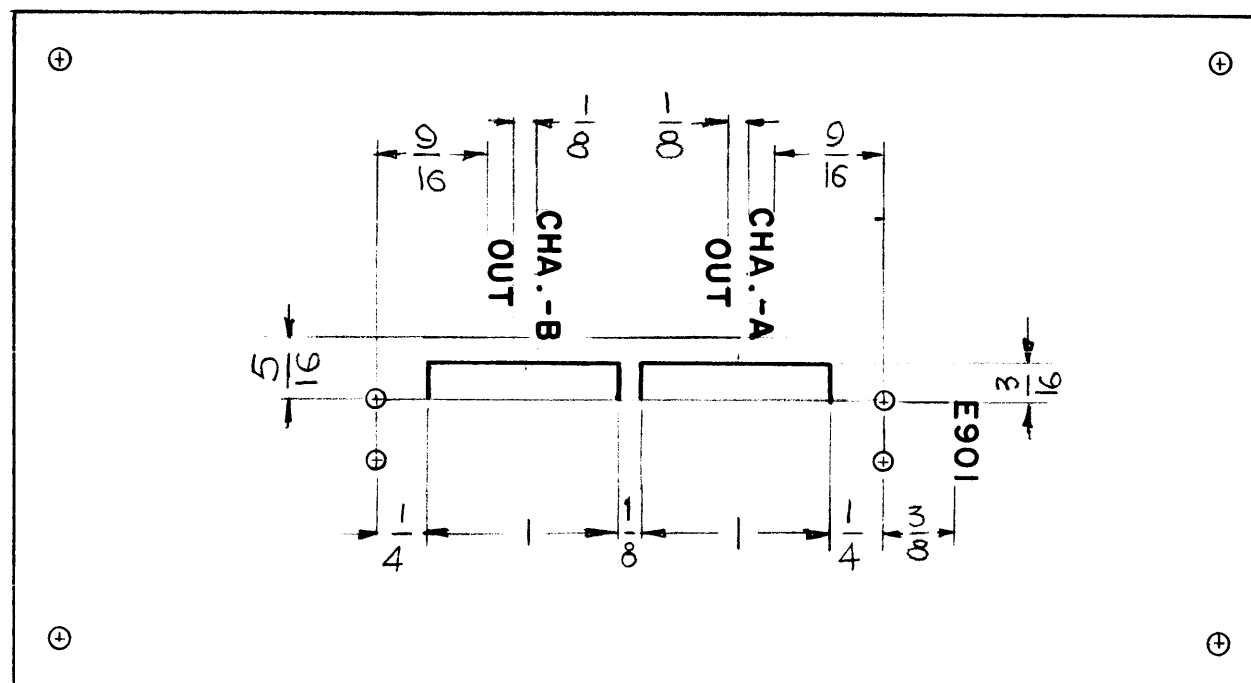
1	RTB-15	
Q'TY./UNIT	MODEL USED ON	ASS'Y. NO.
SCALE	CODE	
THE CONTENTS OF THIS DRAWING ARE THE EXCLUSIVE PROPERTY OF THE TECHNICAL MATERIEL CORP. ITS UNAUTHORIZED USE OR REPRODUCTION IN WHOLE OR IN PART IS STRICTLY FORBIDDEN.		

NOTES

LD-1195

THE CONTENTS OF THIS DRAWING ARE THE EXCLUSIVE PROPERTY OF THE TECHNICAL MATERIEL CORP. ITS UNAUTHORIZED USE OR REPRODUCTION IN WHOLE OR IN PART IS STRICTLY FORBIDDEN.

- UNLESS OTHERWISE SPECIFIED -
 MARKING PROCESS: AS PER TMC SPECIFICATION S-727
 LETTERING: 1/8 HIGH, WHITE GOTHIC LINES
 LINES : WIDTH .015, WHITE



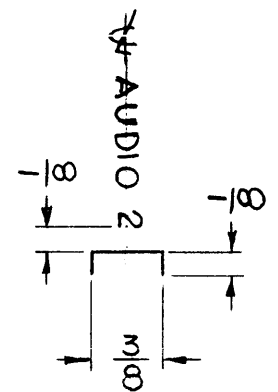
REF: PX-705

REQ.	ITEM	PART NO.	STRUMER DESCRIPTION	SYMBOL
			THE TECHNICAL MATERIEL CORP. MAMARONECK, NEW YORK	
			LETTERING BARRIER STRIP MTG BLK	
			G.D.L. <i>JA</i> 3/1/63	<i>13P</i>
			TYPE & TEMPER	CHECKED
			HEAT TREAT. SPEC.	FINAL APPROVAL
			FINISH & SPEC. NO.	LD-1195
			ELEC. DES. APP.	MECH. DES. APP.

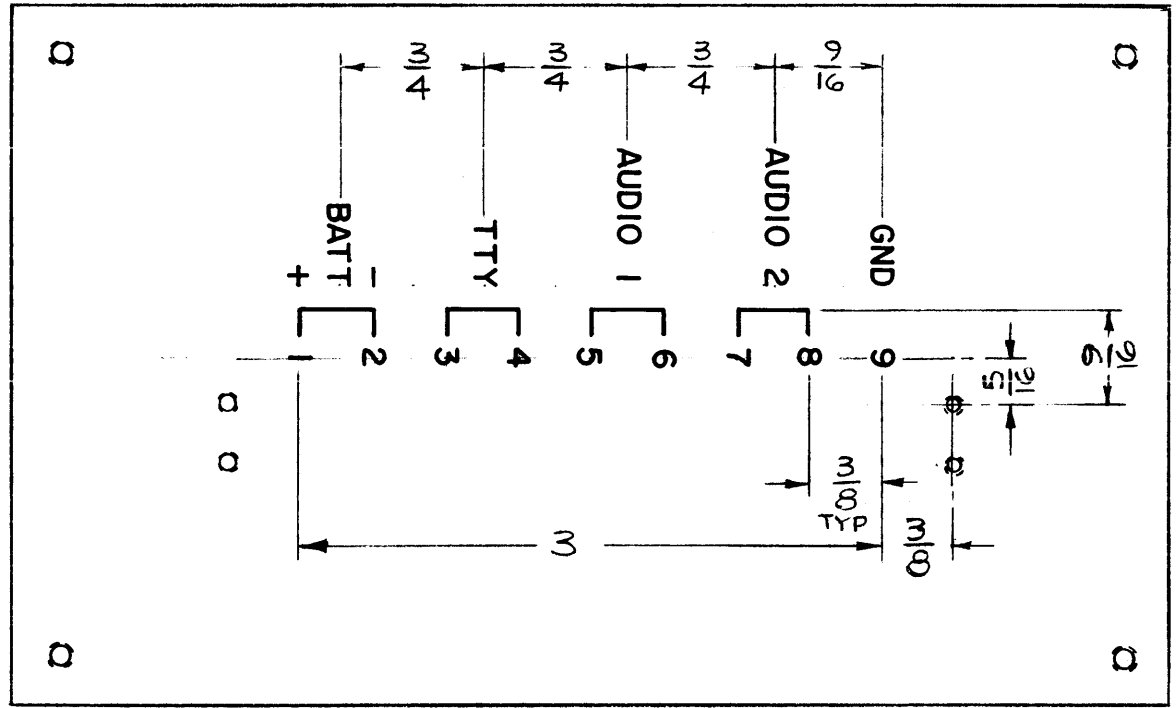
SYM	DESCRIPTION	DATE	CH. NO.	DRAFTS	CHECKER	ENG. APP.
	UNLESS OTHERWISE SPECIFIED:					
	DIMENSIONS ARE IN INCHES					
	TOLERANCES ON					
	FRACTIONS ± 1/64					
	DECIMALS ± .005					
	ANGLES ± 1/2°					
	SCALE:					
	MAXIMUM ALLOWABLE TOLERANCES HAVE BEEN DETERMINED AND ANY DEVIATIONS WILL BE CAUSE FOR REJECTION.					
	REMOVE ALL BURRS AND SHARP EDGES					
	REQ. PER UNIT					
	1					
	RAK-30A					
	MODEL					
	SECTION					
	ASS'Y. NO.					
	DATE					
	3-1-63					
	USED ON					

REVISION					
SYM	DESCRIPTION	DATE	E.M.N. NO.	DRAFT	CHKD APPD

LD-1199



TYPICAL DETAIL



NOTES:

1. LETTERING: 1/8 HIGH WHITE GOTHIC
2. MARKING PROCESS AS PER TMC SPEC. S-727.
3. ALL LETTERS CENTERED AS SHOWN.
4. ALL DIMENSIONAL TOLERANCES ARE TO BE NON-ACCUMULATIVE.

REF: PX-691

REQ'D.	ITEM	PART NUMBER	DESCRIPTION	SYMBOL
LIST OF MATERIAL				
MATERIAL			THE TECHNICAL MATERIEL CORP. MAMARONECK, NEW YORK	
FINISH			TITLE LETTERING, TERM. STRIP MTG. BLOCK	
UNLESS OTHERWISE SPECIFIED DIMENSIONS ARE IN INCHES AND INCLUDE CHEMICALLY APPLIED OR PLATED FINISHES			DRAWN T. RAMIREZ	DATE 3/14/63
			CHECKED JL	DATE 3-14-63
DECIMALS .X ± .05 .XX ± .01 .XXX ± .005			FINAL APPROVAL BP	
			DATE 3-14-63	
TOLERANCES FRACTIONS ± 1/64 ANGLES ± 0° 30'			DATE 3-14-63	
			DATE 3-14-63	
THE CONTENTS OF THIS DRAWING ARE THE EXCLUSIVE PROPERTY OF THE TECHNICAL MATERIEL CORP. ITS UNAUTHORIZED USE OR REPRODUCTION IN WHOLE OR IN PART IS STRICTLY FORBIDDEN.			LD-1199	
			SHEET	
			REV. LTR.	

NOTES