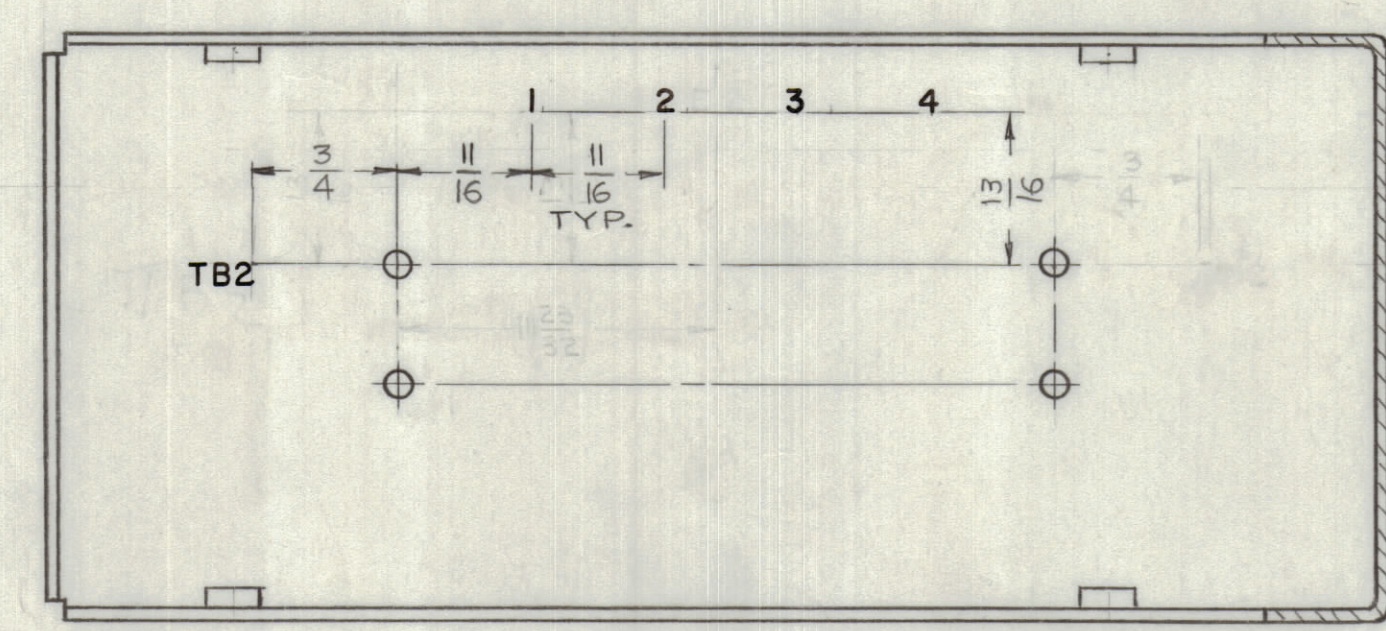
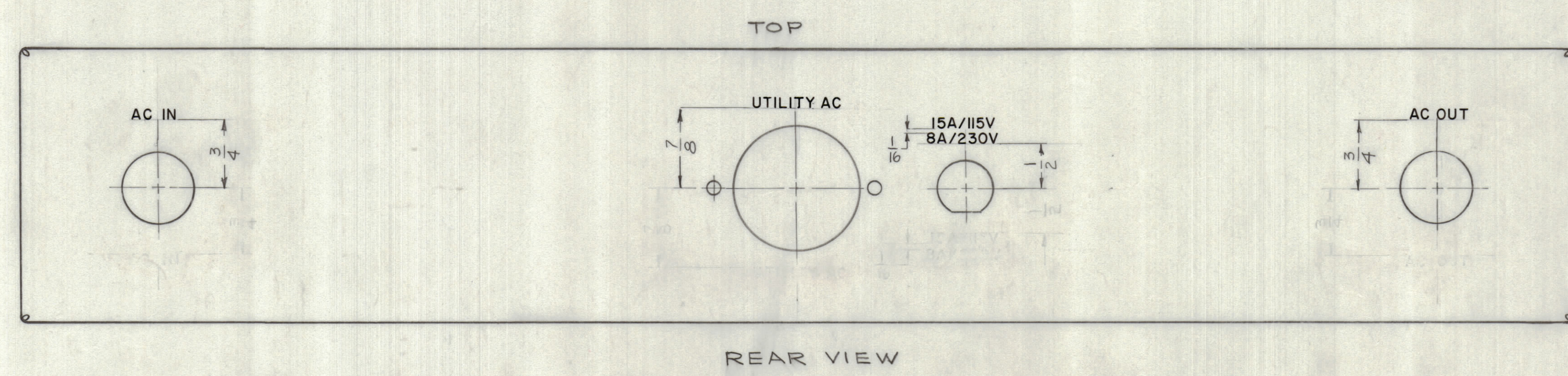
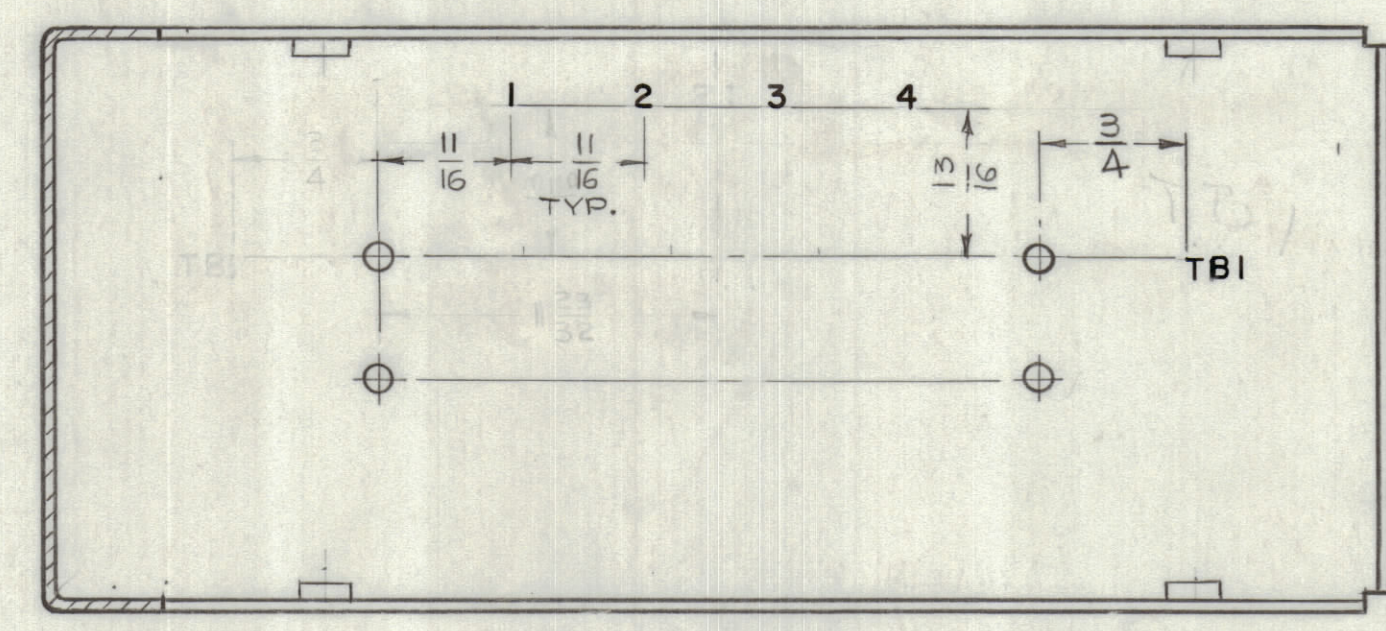
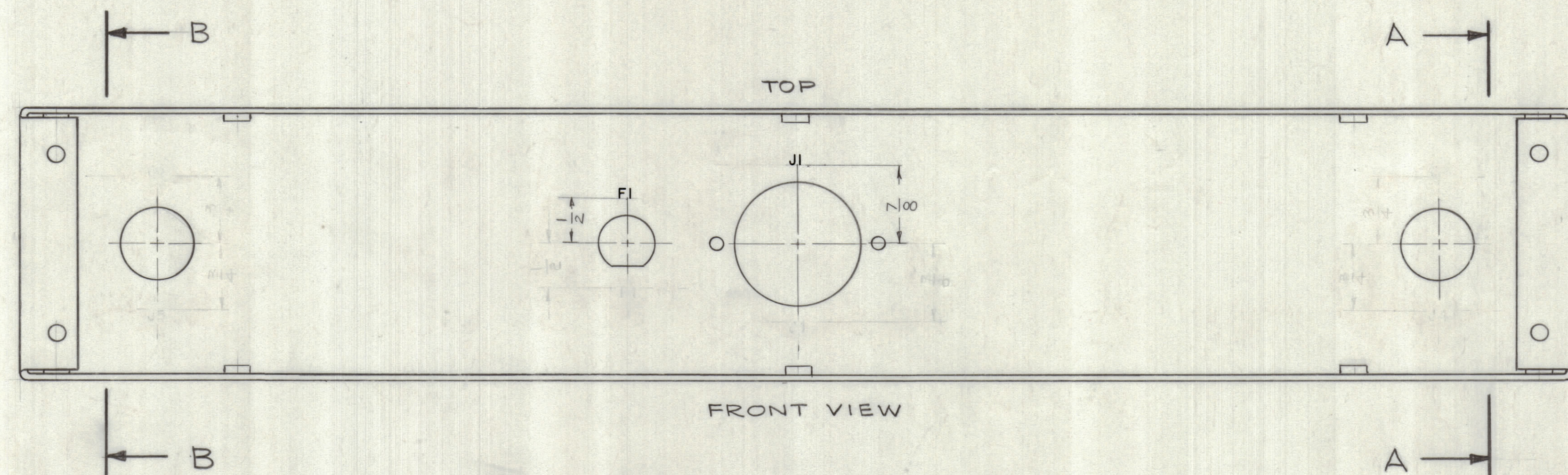


REVISIONS							
ZONE	SYM	DESCRIPTION	DATE	E.M.N. NO.	DRAFT	CHKD	APPD
		DELE MARKING FOR J1 & J5	2/24/63	20064	GE	CL	()



MARKING PROCESS: AS PER TMC SPECIFICATION S-727
 LETTERING: 1/8 HIGH BLACK, GOTHIC
 LOCATED AS SHOWN.

NOTES

1	DCP-2	
QTY/UNIT	MODEL USED ON	ASSY. NO.
SCALE	CODE	
FULL		

REF: MS-3089

REQ'D.	ITEM	PART NUMBER	DESCRIPTION	SYMBOL
STRUMER LIST OF MATERIAL				
MATERIAL				
FINISH				
THE TECHNICAL MATERIEL CORP. MAMARONECK, NEW YORK				
LETTERING MAIN CHASSIS				
UNLESS OTHERWISE SPECIFIED DIMENSIONS ARE IN INCHES AND INCLUDE CHEMICALLY APPLIED OR PLATED FINISHES	DRAWN WJ	DATE 2-13-63	FINAL APPROVAL BP	DATE
DECIMALS XX ± .05 XXX ± .01 XXX ± .005	CHECKED WJ	DATE 3-13-63	ELECT. DES. WJ	DATE
FRACTIONS ± 1/64 ANGLES ± 0° 30'	MECH. DES. WJ	DATE 3-13-63	DATE	DATE
				LD-1186 A
				REV. LTR.

LD-1186