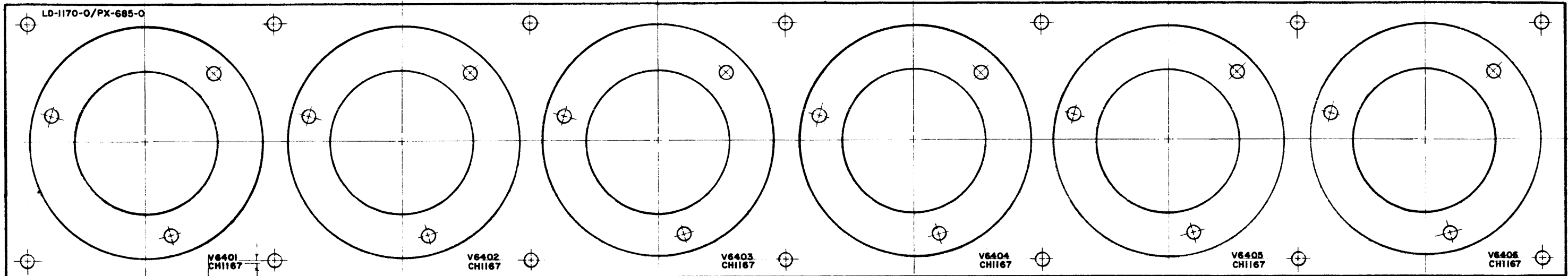
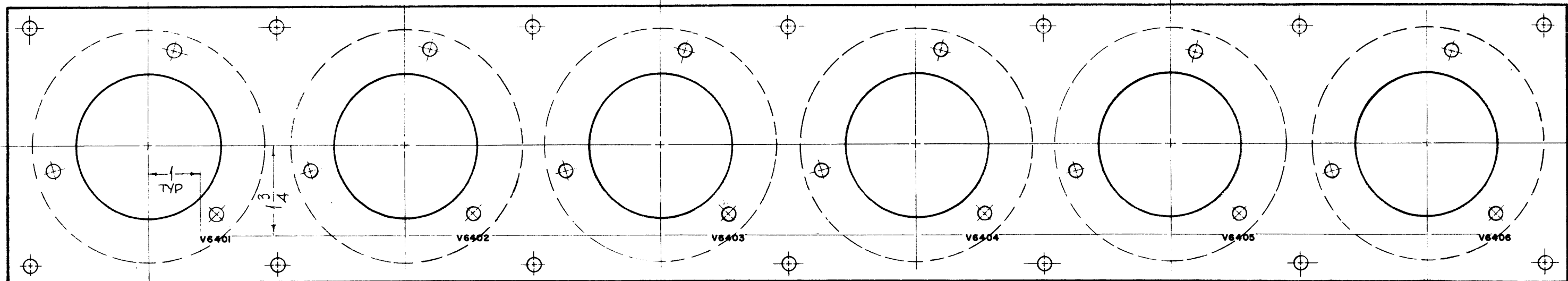


REVISIONS

SYM	DESCRIPTION	DATE	E.M.N. NO.	DRAFT	CHKD	APPD
0	ORIGINAL RELEASE FOR PRODUCTION	3-2-64		A.M.		



TOP VIEW



BOTTOM VIEW

MARKING PROCESS: AS PER TMC SPECIFICATION S-727.

LETTERING: 1/8 HIGH WHITE GOTHIC, LOCATED AS SHOWN.

NOTES

1	GPT-200K	AP-110
Q'TY./UNIT	MODEL USED ON	ASS'Y. NO.
SCALE	CODE	
	A	

THE CONTENTS OF THIS DRAWING ARE THE EXCLUSIVE PROPERTY OF THE TECHNICAL MATERIEL CORP. ITS UNAUTHORIZED USE OR REPRODUCTION IN WHOLE OR IN PART IS STRICTLY FORBIDDEN.

REQ'D.	ITEM	PART NUMBER	DESCRIPTION	SYMBOL
F. BUDETTI LIST OF MATERIAL				
MATERIAL			THE TECHNICAL MATERIEL CORP. MAMARONECK, NEW YORK	
FINISH			TITLE MARKING, BOARD, TUBE MOUNTING MARKING PROCESS: AS PER TMC SPECIFICATION S-727	
UNLESS OTHERWISE SPECIFIED DIMENSIONS ARE IN INCHES AND INCLUDE CHEMICALLY APPLIED OR PLATED FINISHES			DRAWN John C. Biale CHECKED GCS ELECT. DES. J.S.D. MECH. DES. J.S.D.	DATE 7-19-63 DATE 11/27/63 DATE 2/7/64 DATE 2/7/64
DECIMALS .X ± .05 .XX ± .01 .XXX ± .005			FRACTIONS ± 1/64 ANGLES ± 0° 30'	FINAL APPROVAL RAC LD-1170 SHEET 0 REV. LTR.