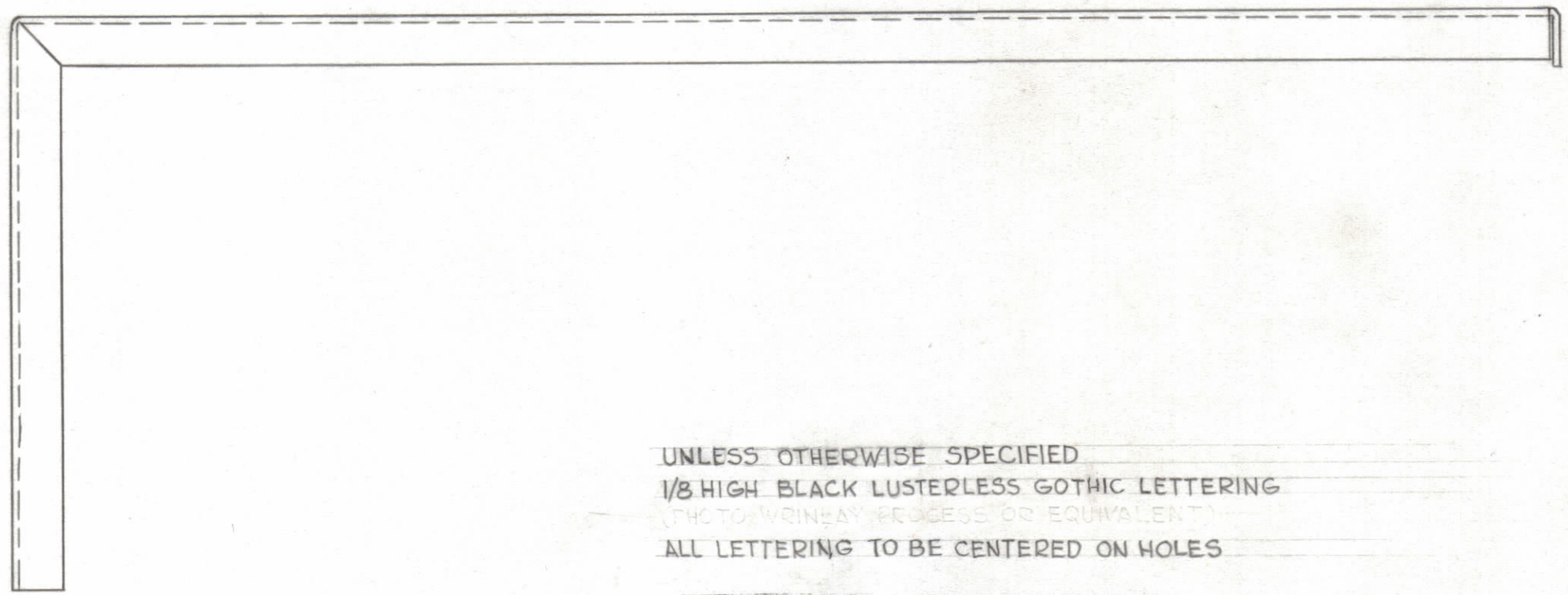
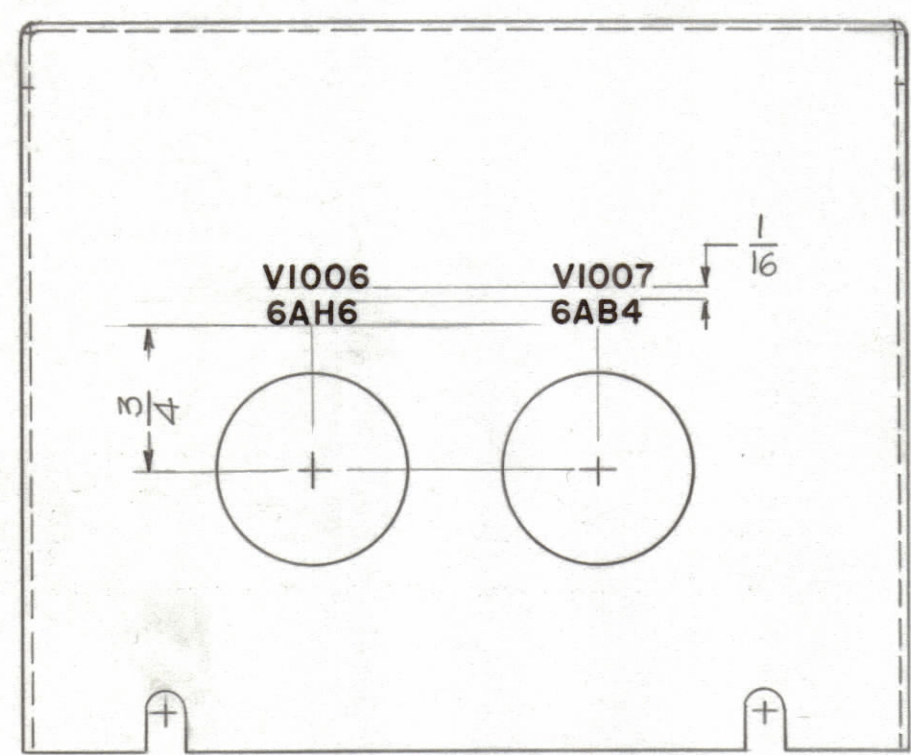
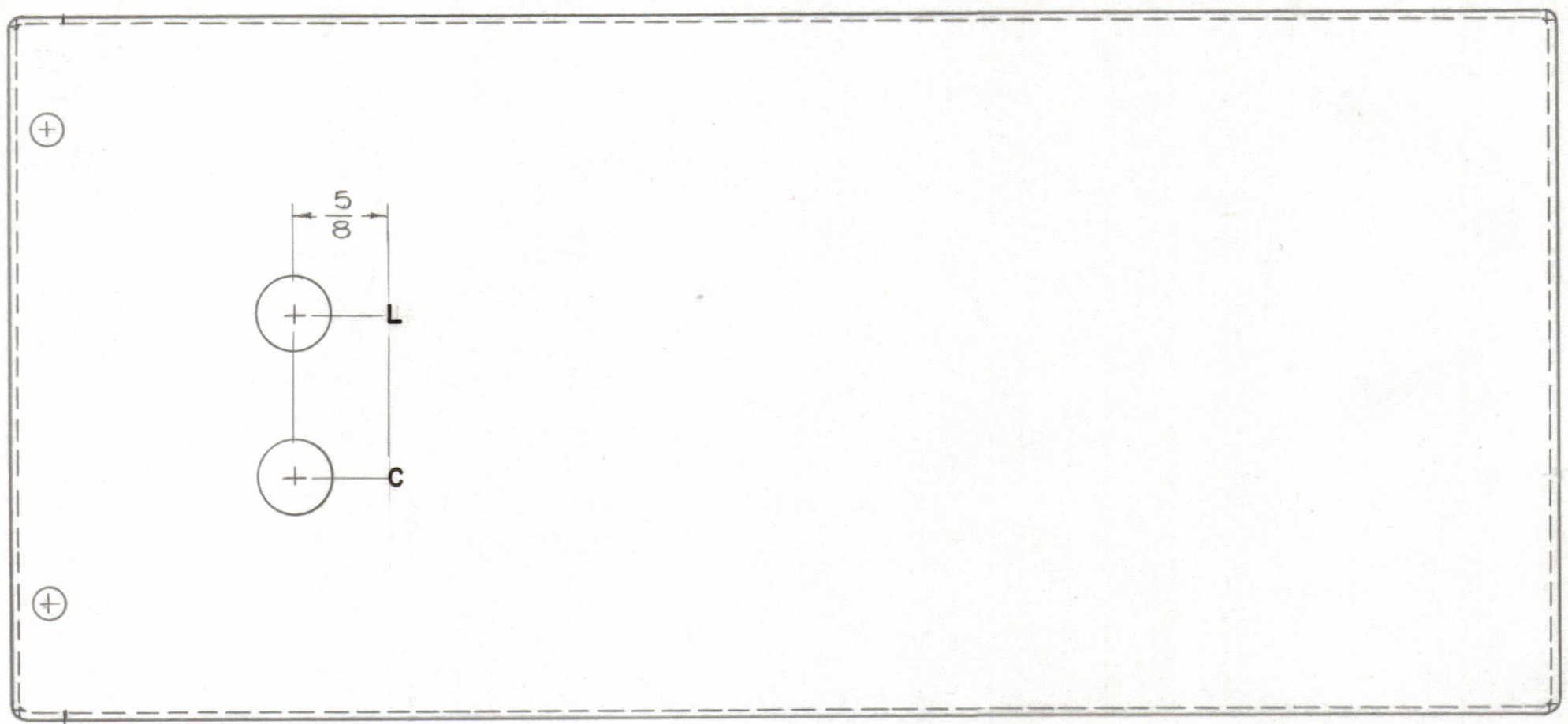


REVISIONS						
ZONE	SYM	DESCRIPTION	DATE	E.M.N. NO.	DRAFT	CHKD APPD



UNLESS OTHERWISE SPECIFIED
 1/8 HIGH BLACK LUSTERLESS GOTHIC LETTERING
 (PHOTO-MACHINE PROCESS OR EQUIVALENT)
 ALL LETTERING TO BE CENTERED ON HOLES
 MARKING PROCESS: AS PER T.M.C SPECIFICATION S-727

LD-1146

NOTICE TO PERSONS RECEIVING THIS DRAWING
 THE TECHNICAL MATERIEL CORPORATION claims proprietary right in the material disclosed hereon. This drawing is issued in confidence for engineering information only and may not be reproduced or used to manufacture anything shown hereon without permission from THE TECHNICAL MATERIEL CORPORATION to the user. This drawing is loaned for mutual assistance and is subject to recall at any time.

Property of:
 THE TECHNICAL MATERIEL CORPORATION
 MAMARONECK, NEW YORK

NOTES

Q'TY./UNIT	MODEL USED ON	ASS'Y. NO.
	HER-1/T	A-2532
SCALE	CODE	
DO NOT SCALE		
THE CONTENTS OF THIS DRAWING ARE THE EXCLUSIVE PROPERTY OF THE TECHNICAL MATERIEL CORP. ITS UNAUTHORIZED USE OR REPRODUCTION IN WHOLE OR IN PART IS STRICTLY FORBIDDEN.		

REF.: MS-2873 (4)

REQ'D.	ITEM	PART NUMBER	DESCRIPTION	SYMBOL
LIST OF MATERIAL				
MATERIAL		THE TECHNICAL MATERIEL CORP. MAMARONECK, NEW YORK		
FINISH		TITLE LETTERING, COVER, OUTSIDE TOP, OVEN		
DRAWN		G.D.L.	DATE	9-11-62
CHECKED		J.P.	DATE	9-13-62
ELECT. DES.		J. ANGER	DATE	9/13/62
MECH. DES.			DATE	
TOLERANCES			DECIMALS	FRACTIONS
			.X ± .05	± 1/64
			.XX ± .01	ANGLES
			.XXX ± .005	± 0° 30'
FINAL APPROVAL			DATE	
[Signature]				
SHEET			LD-1146	REV. LTR.