

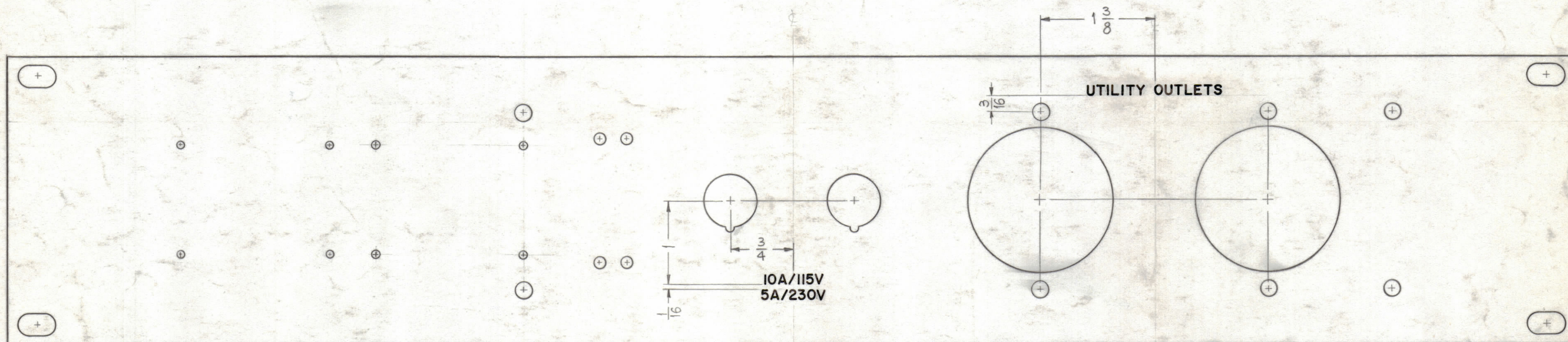
NOTICE TO PERSONS RECEIVING THIS DRAWING

THE TECHNICAL MATERIEL CORPORATION claims proprietary right in the material disclosed hereon. This drawing is issued in confidence for engineering information only and may not be reproduced or used to manufacture anything shown hereon without permission from THE TECHNICAL MATERIEL CORPORATION to the user. This drawing is loaned for mutual assistance and is subject to recall at any time.

Property of:

THE TECHNICAL MATERIEL CORPORATION
MAMARONECK, NEW YORK

REVISIONS						
ZONE	SYM	DESCRIPTION	DATE	E.M.N. NO.	DRAFT	CHKD
-	A	MARKED DRAWING SHEET 1 OF 2	3-10-64	10999	A.M	<i>[Signature]</i>
-	B	CLERICAL CHANGE	9-4-64	-	WB	<i>[Signature]</i>



NOTE:

ENGRAVING TO BE $\frac{1}{8}$ HIGH, WHITE FILLED GOTHIC. LOCATED AS SHOWN

HEIGHT OF LETTERS	DEPTH OF STROKE	WIDTH OF STROKE
$\frac{1}{8}$.010	.020

REF. TMC DWG MS-3001

REQ'D.	ITEM	PART NUMBER	DESCRIPTION	SYMBOL
LIST OF MATERIAL				
MATERIAL		THE TECHNICAL MATERIEL CORP. MAMARONECK, NEW YORK		
FINISH		TITLE MARKING FRONT PANEL MARKING METHOD: ENGRAVING		
DRAWN <i>[Signature]</i>		DATE 3-24-64	FINAL APPROVAL <i>[Signature]</i>	
CHECKED <i>[Signature]</i>		DATE 3/31/64		
ELECT. DES. <i>[Signature]</i>		DATE 10/16/62	LD-1136	
MECH. DES. <i>[Signature]</i>		DATE 10/16/62	SHEET 1 OF 2	

HPP-1		
Q'TY./UNIT	MODEL USED ON	ASS'Y. NO.
SCALE	CODE	

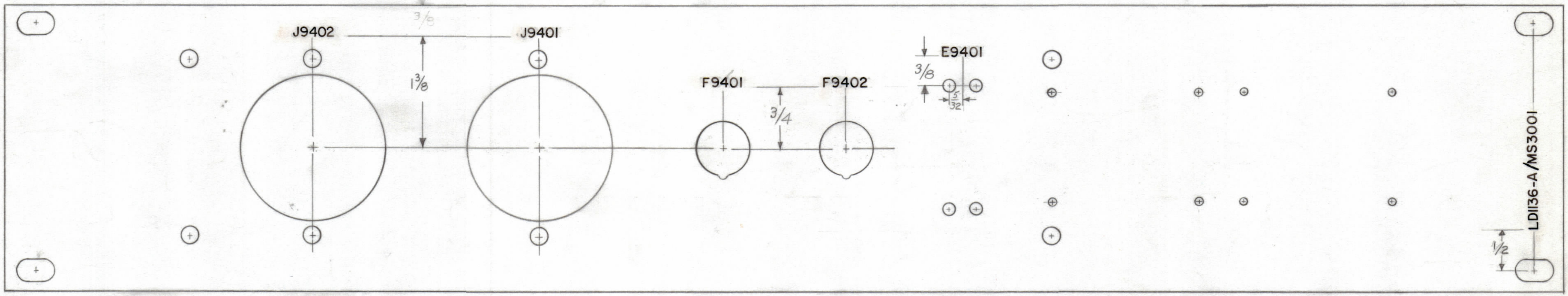
THE CONTENTS OF THIS DRAWING ARE THE EXCLUSIVE PROPERTY OF THE TECHNICAL MATERIEL CORP. ITS UNAUTHORIZED USE OR REPRODUCTION IN WHOLE OR IN PART IS STRICTLY FORBIDDEN.

DECIMALS	TOLERANCES	FRACTIONS	ANGLES
.X ± .05		± 1/64	
.XX ± .01			± 0° 30'
.XXX ± .005			

NOTES

LD-1136 B

REVISIONS							
ZONE	SYM	DESCRIPTION	DATE	E.M.N. NO.	DRAFT	CHKD	APPD
#	A	TO SHOW LD. ON REAR OF PANEL	3-10-64	10999	A.M.	JLS	JLS
	B	CLERICAL CHANGE	9.4.64		hps	@	



REAR OF PANEL

LD1136 B

MARKING PROCESS: AS PER TMC SPECIFICATION S-727.
 LETTERING: 1/8 HIGH BLACK GOTHIC, LOCATED AS SHOWN

NOTES

THE CONTENTS OF THIS DRAWING ARE THE EXCLUSIVE PROPERTY OF THE TECHNICAL MATERIEL CORP. ITS UNAUTHORIZED USE OR REPRODUCTION IN WHOLE OR IN PART IS STRICTLY FORBIDDEN.

REF. MS 3001

REQ'D.	ITEM	PART NUMBER	DESCRIPTION	SYMBOL
LIST OF MATERIAL				
MATERIAL		THE TECHNICAL MATERIEL CORP. MAMARONECK, NEW YORK		
FINISH		TITLE MARKING FRONT PANEL MARKING METHOD: PER TMC S-727		
UNLESS OTHERWISE SPECIFIED DIMENSIONS ARE IN INCHES AND INCLUDE CHEMICALLY APPLIED OR PLATED FINISHES		DRAWN A. MARINO	DATE 3-10-64	FINAL APPROVAL <i>[Signature]</i>
DECIMALS .X ± .05 .XX ± .01 .XXX ± .005		ELECT. DES.		DATE
FRACTIONS ± 1/64 ANGLES ± 0° 30'		MECH. DES.		DATE
TOLERANCES		SHEET 2 OF 2		REV. LTR.

LD1136 B