

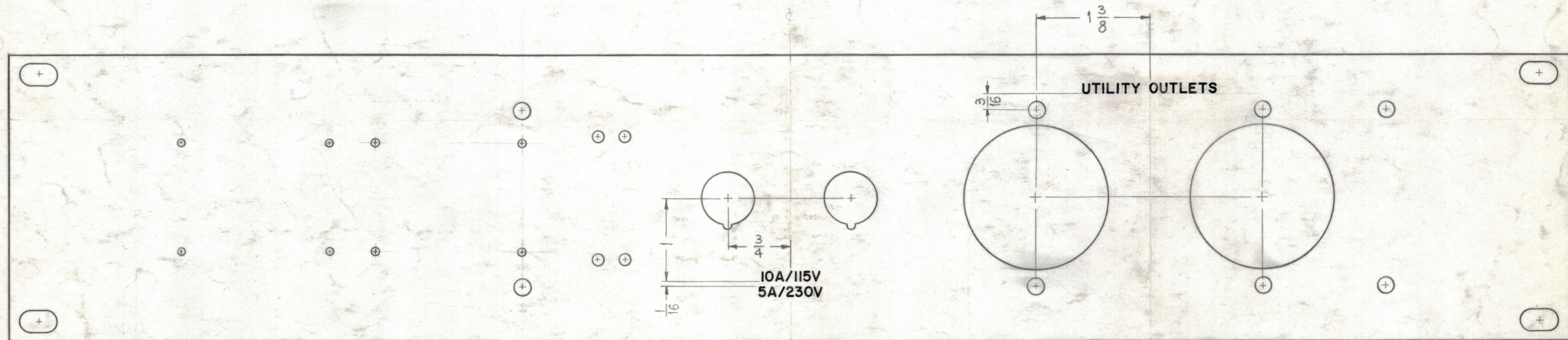
NOTICE TO PERSONS RECEIVING THIS DRAWING

THE TECHNICAL MATERIEL CORPORATION claims proprietary right in the material disclosed hereon. This drawing is issued in confidence for engineering information only and may not be reproduced or used to manufacture anything shown hereon without permission from THE TECHNICAL MATERIEL CORPORATION to the user. This drawing is loaned for mutual assistance and is subject to recall at any time.

Property of:

THE TECHNICAL MATERIEL CORPORATION
MAMARONECK, NEW YORK

REVISIONS						
ZONE	SYM	DESCRIPTION	DATE	E.M.N. NO.	DRAFT	CHKD
-	A	MARKED DRAWING SHEET 1 OF 2	3-10-64	10999	A.M	<i>[Signature]</i>
-	B	CLERICAL CHANGE	9-4-64	-	WB	<i>[Signature]</i>



NOTE:

ENGRAVING TO BE 1/8 HIGH, WHITE FILLED GOTHIC. LOCATED AS SHOWN

HEIGHT OF LETTERS	DEPTH OF STROKE	WIDTH OF STROKE
1/8	.010	.020

REF. TMC DWG MS-3001

REQ'D.	ITEM	PART NUMBER	DESCRIPTION	SYMBOL
LIST OF MATERIAL MATERIAL: THE TECHNICAL MATERIEL CORP. MAMARONECK, NEW YORK FINISH: TITLE: MARKING FRONT PANEL MARKING METHOD: ENGRAVING				
QTY./UNIT: HPP-1 SCALE:		MODEL USED ON: HPP-1 CODE:	ASS'Y. NO.: UNLESS OTHERWISE SPECIFIED DIMENSIONS ARE IN INCHES AND INCLUDE CHEMICALLY APPLIED OR PLATED FINISHES	DRAWN: <i>[Signature]</i> DATE: 3-24-64 CHECKED: <i>[Signature]</i> DATE: 3/31/64 ELECT. DES. R. KOHN DATE: 10/16/62 MECH. DES. R. KOHN DATE: 10/16/62
THE CONTENTS OF THIS DRAWING ARE THE EXCLUSIVE PROPERTY OF THE TECHNICAL MATERIEL CORP. ITS UNAUTHORIZED USE OR REPRODUCTION IN WHOLE OR IN PART IS STRICTLY FORBIDDEN.			DECIMALS: .X ± .05, .XX ± .01, .XXX ± .005 FRACTIONS: ± 1/64 ANGLES: ± 0° 30'	FINAL APPROVAL: <i>[Signature]</i> DATE: 3-24-64 SHEET: 1 OF 2 REV. LTR.: B

NOTES

LD-1136 B