

THE CONTENTS OF THIS DRAWING ARE THE EXCLUSIVE PROPERTY OF THE TECHNICAL MATERIEL CORP. ITS UNAUTHORIZED USE OR REPRODUCTION IN WHOLE OR IN PART IS STRICTLY FORBIDDEN.

REQ. PER UNIT

MODEL

USED ON

ASS'Y. NO.

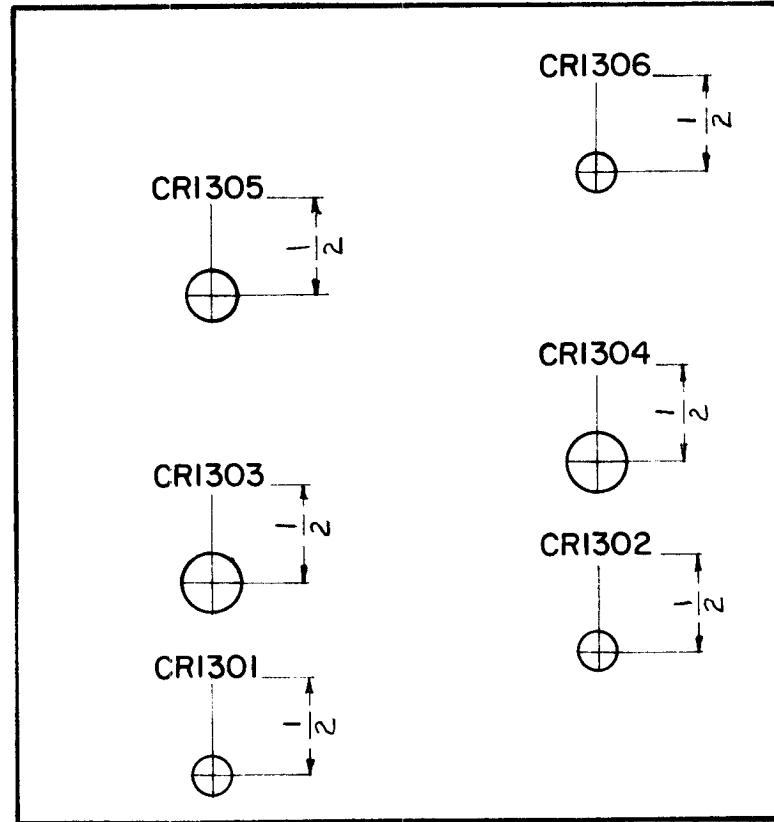
DATE

1

HFR-1/C

6-1-62

LD-1108



ALL LETTERING TO BE 1/8" HIGH, BLACK LUSTERLESS GOTHIC.

MARKING PROCESS: AS PER TMC SPECIFICATION S-727

REF: MS-2945(2)

							REQ.	ITEM	PART NO.	M. GELLMAN	DESCRIPTION	SYMBOL
										THE TECHNICAL MATERIEL CORP. MAMARONECK, NEW YORK		
										LETTERING, PLATE		
										HEAT CONDUCTOR		
SYM	DESCRIPTION	DATE	CH. NO.	DRAFTS	CHECKER	ENG. APP.				G.S.	<i>HO</i>	<i>BP</i>
UNLESS OTHERWISE SPECIFIED: DIMENSIONS ARE IN INCHES TOLERANCES ON FRAC. ± 1/64 DEC. ± .005 ANGLES ± 1/2°		SCALE: MAXIMUM ALLOWABLE TOLERANCES HAVE BEEN DETERMINED AND ANY DEVIATIONS WILL BE CAUSE FOR REJECTION. REMOVE ALL BURRS AND SHARP EDGES					TYPE & TEMPER		HEATTREAT. SPEC.	DRAWN	CHECKED	FINAL APPROVAL
							FINISH & SPEC. NO.		ELEC. DES. APP.	MECH. DES. APP.	LD-1108	