

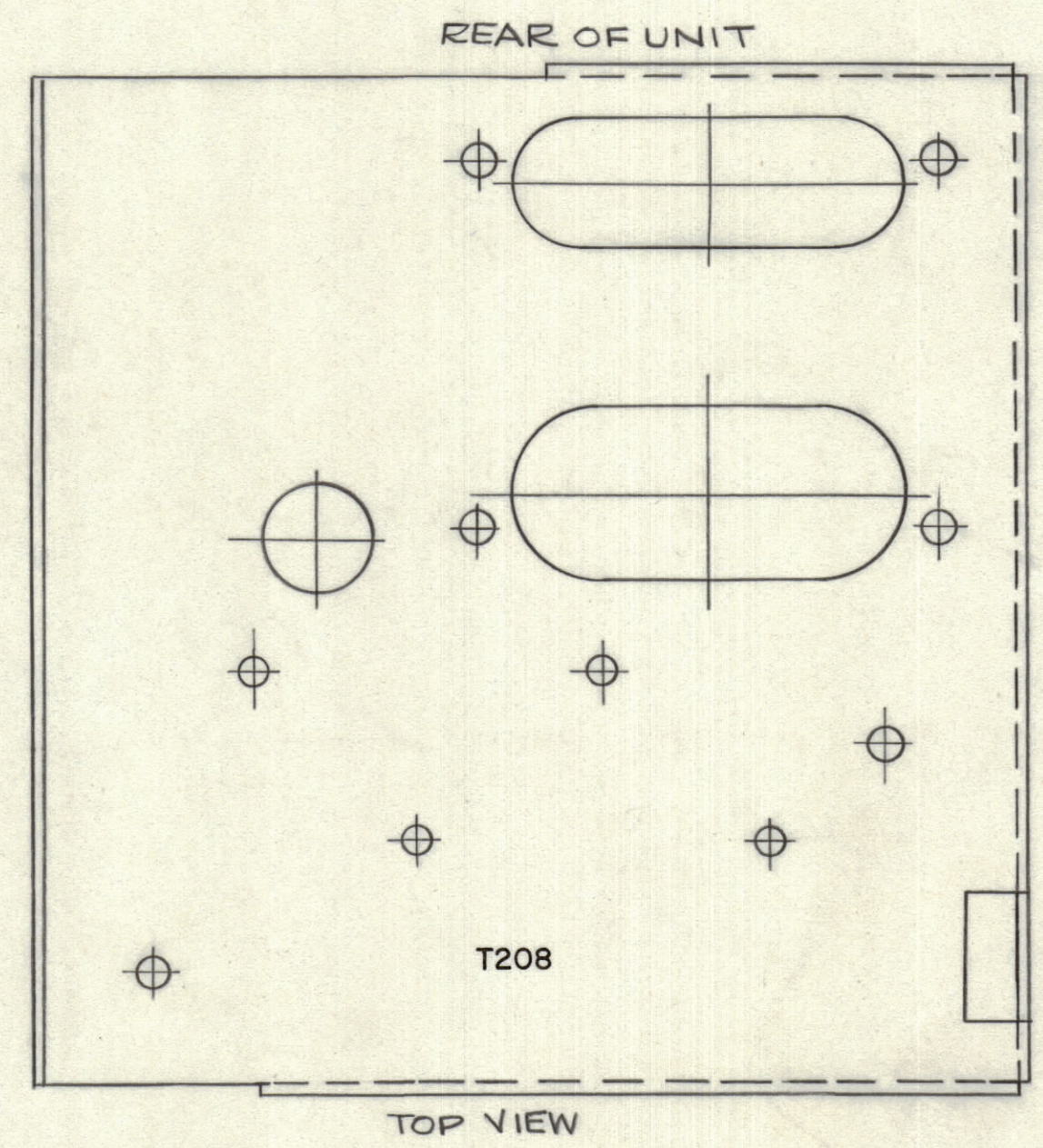
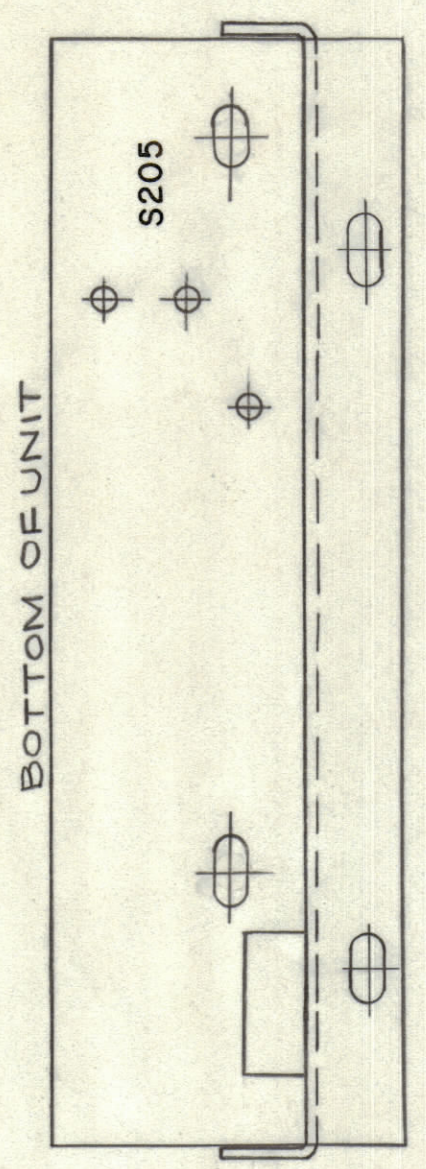
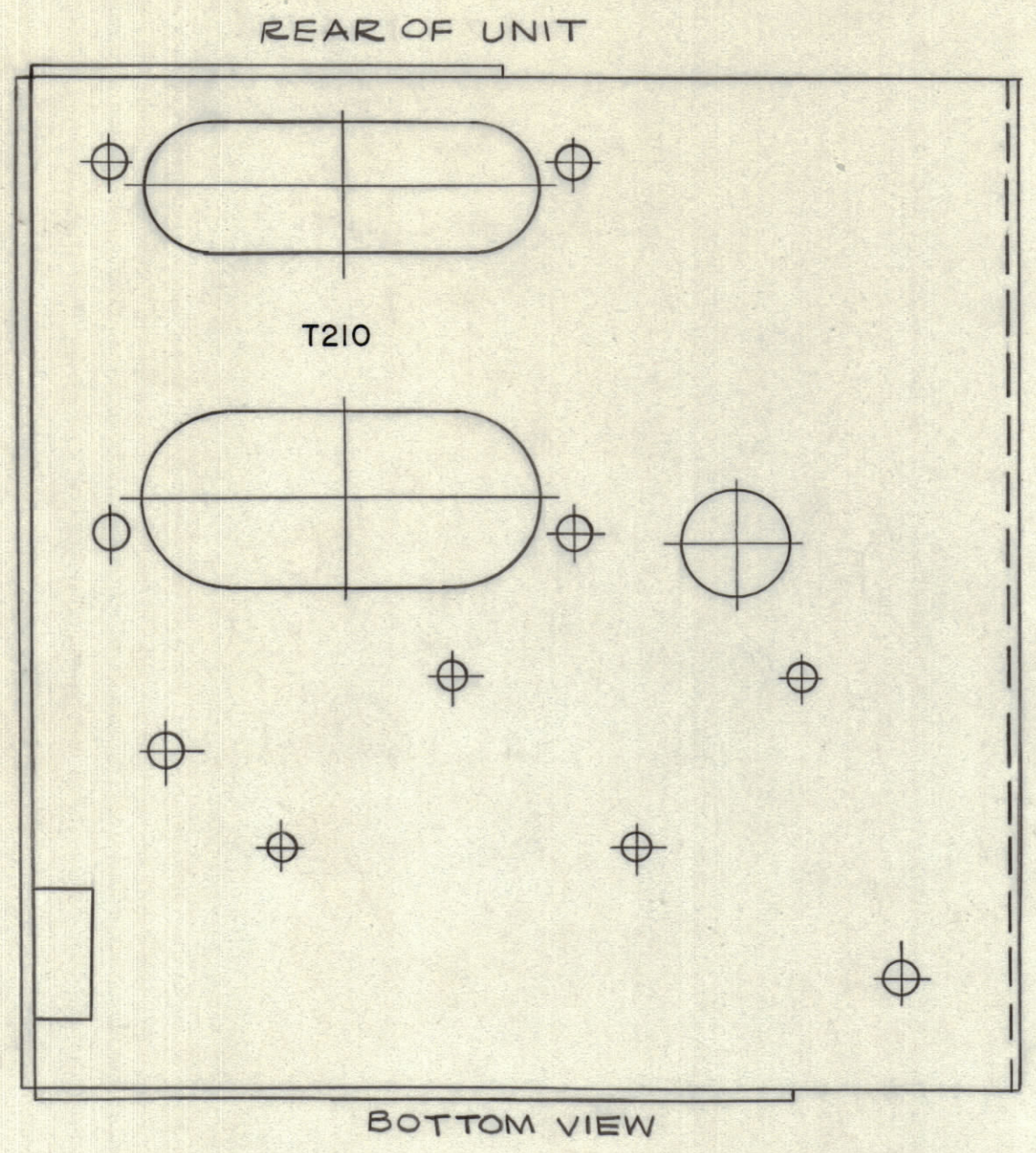
IF IT IS FOUND DESIRABLE TO CHANGE ANY TOLERANCE OR OTHER DETAIL SPECIFIED ON THIS DRAWING NOTIFY THE PURCHASER PROMPTLY.

MAXIMUM ALLOWABLE TOLERANCES HAVE BEEN DETERMINED AND DEVIATIONS WILL BE CAUSE FOR REJECTION. REMOVE ALL BURRS AND SHARP EDGES

**NOTICE TO PERSONS RECEIVING THIS DRAWING**

THE TECHNICAL MATERIEL CORPORATION claims proprietary right in the material disclosed hereon. This drawing is issued in confidence for engineering information only and may not be reproduced or used to manufacture anything shown hereon without permission from THE TECHNICAL MATERIEL CORPORATION to the user. This drawing is loaned for mutual assistance and is subject to recall at any time.

Property of:  
THE TECHNICAL MATERIEL CORPORATION  
MAMARONECK, NEW YORK



NOTE: STAMPING TO BE BLACK & 1/8 HIGH.

REF: MS10399B

A	LD10093A WAS LD421	NOV 29/60	JPC	415	KJA		
ISSUE	ITEM	CHANGED FROM	DATE	CN. NO.	DRAFTS	CHECKER	ENG. APP.
TOLERANCES		SCALE:					
ALL OTHERS	DEC. DIM. ± FRAC. DIM. ± ANGULAR DIM. ±		DRILL, PUNCH, COMMERCIAL STOCK SIZES AND MANUFACTURERS TOLERANCES ARE NOT INCLUDED.				

RFA-1			11/30/60
MODEL	PROJECT No.	ASS'Y. No.	DATE
USED ON			

REQ.	ITEM	PART No.	DESCRIPTION	SYMBOL
			<b>TMC (Canada) LIMITED</b> OTTAWA ONTARIO	
			LETTERING, FILAMENT	
			XFMR CHASSIS	
			JPC	KJA
			DRAWN	ELEC. DES. APP. MECH. DES. APP.
			CHECKED	FINAL APPROVAL
			LD10093 A	

LD10093 A