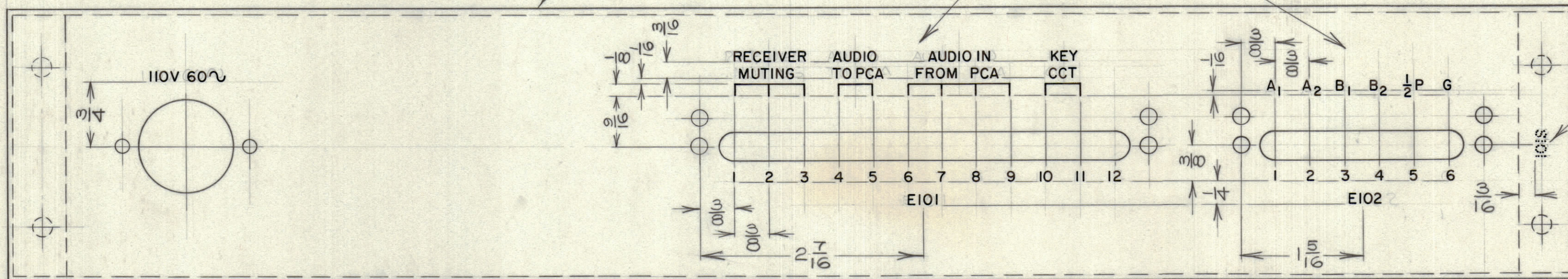


IF IT IS FOUND DESIRABLE TO CHANGE ANY TOLERANCE OR OTHER DETAIL SPECIFIED ON THIS DRAWING NOTIFY THE PURCHASER PROMPTLY.

MAXIMUM ALLOWABLE TOLERANCES HAVE BEEN DETERMINED AND DEVIATIONS WILL BE CAUSE FOR REJECTION. REMOVE ALL BURRS AND SHARP EDGES

CHASSIS-MS10357

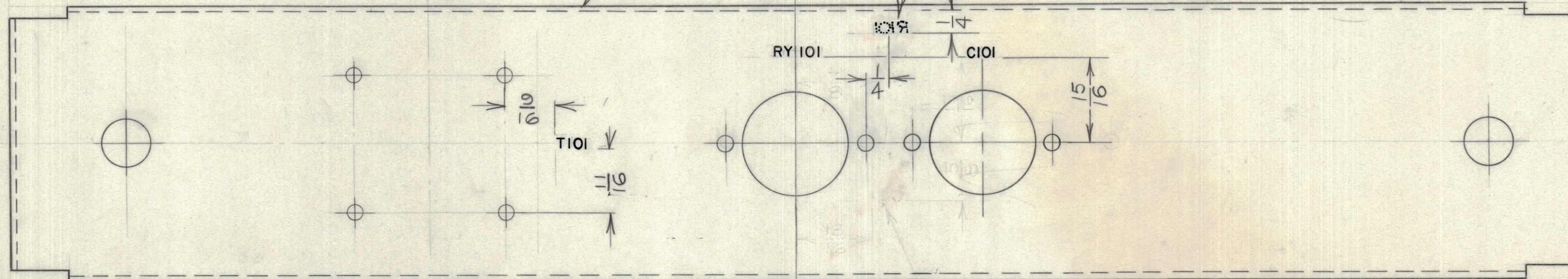
TERMINAL DESIGNATIONS EQUALLY SPACED ON 3/8" CENTERS AS SHOWN.



S101 STAMPED ON INSIDE OF FRONT FLANGE

BARRIER-MS10358

R101 ON BACK OF BARRIER



C101 ON BACK OF BARRIER

NOTE: LETTERING TO BE 1/8" HIGH - BLACK

NOTICE TO PERSONS RECEIVING THIS DRAWING

THE TECHNICAL MATERIEL CORPORATION claims proprietary right in the material disclosed hereon. This drawing is issued in confidence for engineering information only and may not be reproduced or used to manufacture anything shown hereon without permission from THE TECHNICAL MATERIEL CORPORATION to the user. This drawing is loaned for mutual assistance and is subject to recall at any time.

Property of:  
THE TECHNICAL MATERIEL CORPORATION  
MAMARONECK, NEW YORK

A	C101 WAS ON BACK	NOV. 10. 1959	JPC	LXC M.R.W.J.
ISSUE	ITEM	CHANGED FROM	DATE	CN. NO. DRAFTS CHECKER ENG. APP.
TOLERANCES		SCALE: 1:1		
ALL OTHERS	DEC. DIM. ± 1/64	DRILL, PUNCH, COMMERCIAL STOCK SIZES AND MANUFACTURERS TOLERANCES ARE NOT INCLUDED.		

CRCU-1	CE 5004-A	OCT 8/59
MODEL	PROJECT No.	ASS'Y. No.
USED ON		

REQ.	ITEM	PART No.	DESCRIPTION	SYMBOL
			<b>TMC (Canada) LIMITED</b> OTTAWA ONTARIO	
STOCK SIZE			<b>STAMPING DETAILS</b>	
MATERIAL			<b>CHASSIS &amp; BARRIER</b>	
TYPE & TEMPER			DCM DRAWN	R.W. Thomas ELEC. DES. APP.
HEAT TREAT. SPEC.				R.W. Thomas MECH. DES. APP.
FINISH & SPEC. No.			CHECKED	FINAL APPROVAL
				<b>LD10074 A</b>

LD10074 A