

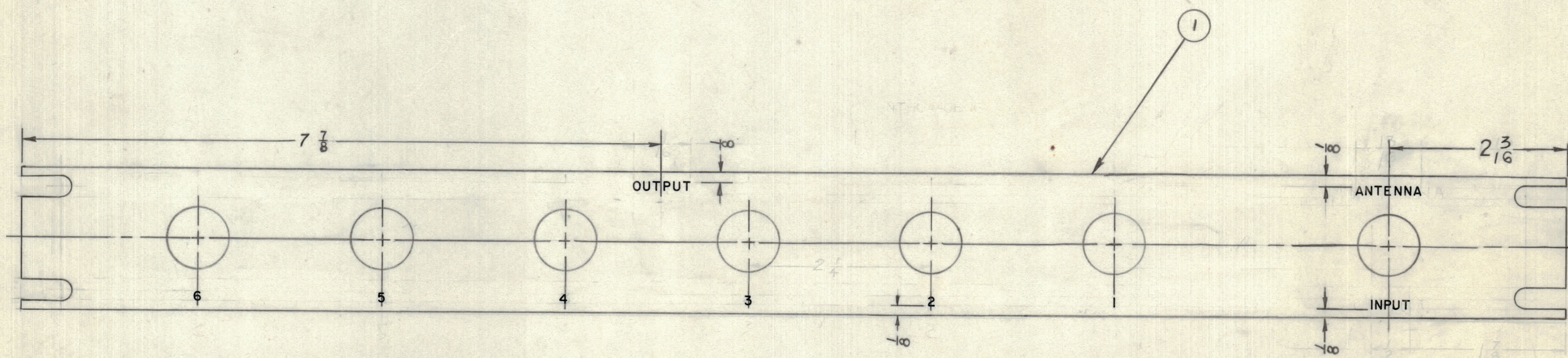
IF IT IS FOUND DESIRABLE TO CHANGE ANY TOLERANCE OR OTHER DETAIL SPECIFIED ON THIS DRAWING NOTIFY THE PURCHASER PROMPTLY.

MAXIMUM ALLOWABLE TOLERANCES HAVE BEEN DETERMINED AND DEVIATIONS WILL BE CAUSE FOR REJECTION. REMOVE ALL BURRS AND SHARP EDGES

NOTICE TO PERSONS RECEIVING THIS DRAWING

THE TECHNICAL MATERIEL CORPORATION claims proprietary right in the material disclosed hereon. This drawing is issued in confidence for engineering information only and may not be reproduced or used to manufacture anything shown hereon without permission from THE TECHNICAL MATERIEL CORPORATION to the user. This drawing is loaned for mutual assistance and is subject to recall at any time.

Property of:
THE TECHNICAL MATERIEL CORPORATION
MAMARONECK, NEW YORK



NOTE: LETTERING TO BE 1/8 HIGH GOTHIC - COLOUR WHITE.

LD10064

ISSUE	ITEM	CHANGED FROM	DATE	CN. NO.	DRAFTS	CHECKER	ENG. APP.
TOLERANCES							
ALL OTHERS			DEC. DIM. ± 1/64		FRAC. DIM. ± 1/64		
DRILL, PUNCH, COMMERCIAL STOCK SIZES AND MANUFACTURERS TOLERANCES ARE NOT INCLUDED.							

MODEL	PROJECT No.	ASS'Y. No.	DATE
	CE 5003		JULY 21/59
USED ON			

REQ.	ITEM	PART No.	DESCRIPTION	SYMBOL
		MS10345	PANEL	
TMC (Canada) LIMITED OTTAWA ONTARIO				
STAMPING DETAIL				
RCN AMC 6/5 PATCH PANEL				
MATERIAL		WEIGHT PER PC.		
TYPE & TEMPER				
DRAWN		ELEC. DES. APP.		MECH. DES. APP.
CHECKED		FINAL APPROVAL		
LD10064				