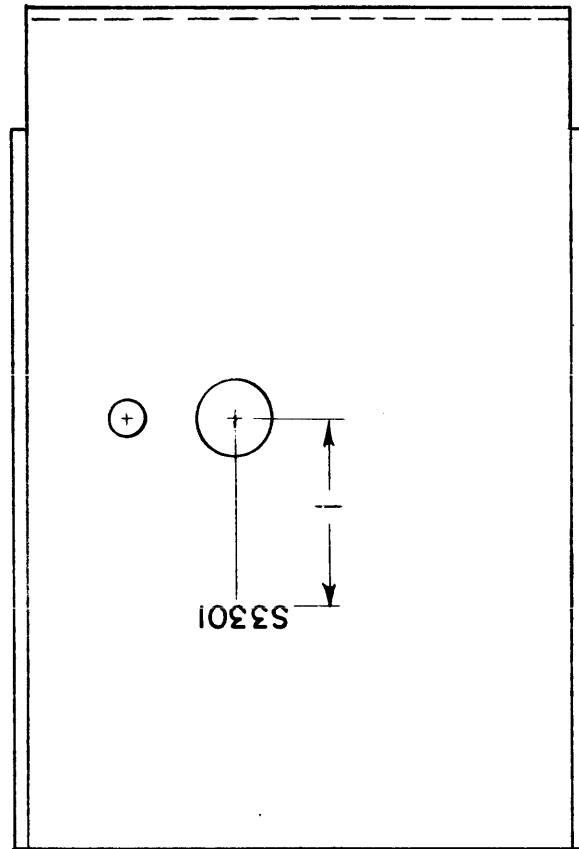
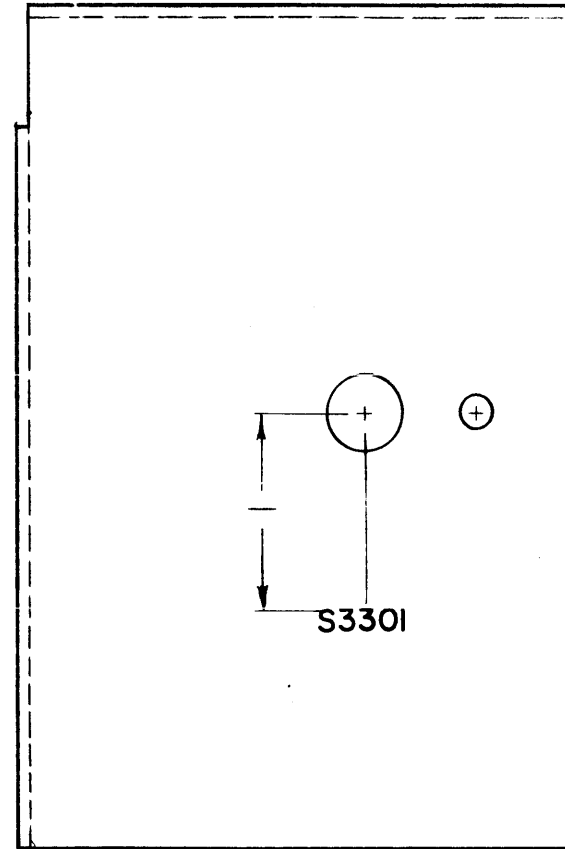
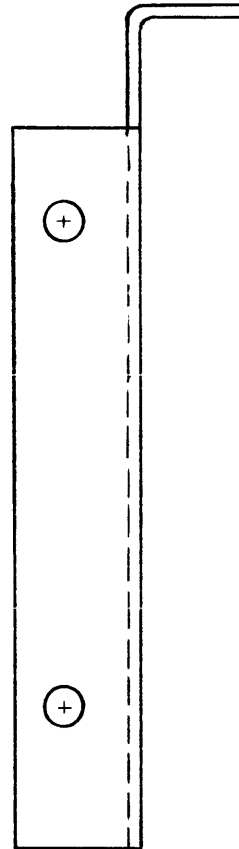


LD-1090

THE CONTENTS OF THIS DRAWING ARE THE EXCLUSIVE PROPERTY OF THE TECHNICAL MATERIEL CORP. ITS UNAUTHORIZED USE OR REPRODUCTION IN WHOLE OR IN PART IS STRICTLY FORBIDDEN.



REAR VIEW



FRONT VIEW

~UNLESS OTHERWISE SPECIFIED~
 1/8 HIGH BLACK LUSTERLESS, GOTHIC LETTERING.
 MARKING PROCESS: AS PER TMC SPECIFICATION S-727
 ALL LETTERING TO BE CENTERED ON HOLES

REF. MS-2883 (2)

SYM	DESCRIPTION	DATE	CH. NO.	DRAFTS	CHECKER	ENG. APP.
	UNLESS OTHERWISE SPECIFIED: DIMENSIONS ARE IN INCHES TOLERANCES ON FRACTIONS ± 1/64 DECIMALS ± .05 ANGLES ± 1/2°	SCALE: MAXIMUM ALLOWABLE TOLERANCES HAVE BEEN DETERMINED AND ANY DEVIATIONS WILL BE CAUSE FOR REJECTION. REMOVE ALL BURRS AND SHARP EDGES				

REQ. PER UNIT	MODEL	SECTION	ASS'Y. NO.	DATE
1	HFS-1	3300		8-17-62
USED ON				

REQ.	ITEM	PART NO.	DESCRIPTION	SYMBOL
			THE TECHNICAL MATERIEL CORP. MAMARONECK, NEW YORK	
STOCK SIZE			LETTERING, SWITCH MTG. PLATE (3300 DECK)	
MATERIAL			G.D.L. <i>[Signature]</i>	<i>[Signature]</i>
TYPE & TEMPER		HEAT TREAT. SPEC.	DRAWN <i>[Signature]</i>	CHECKED <i>[Signature]</i>
FINISH & SPEC. NO.		ELEC. DES. APP.	MECH. DES. APP.	LD-1090