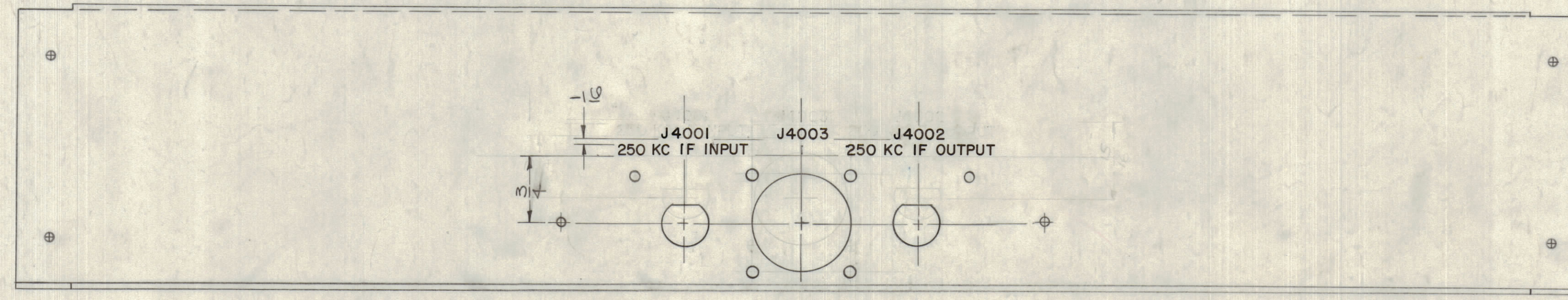
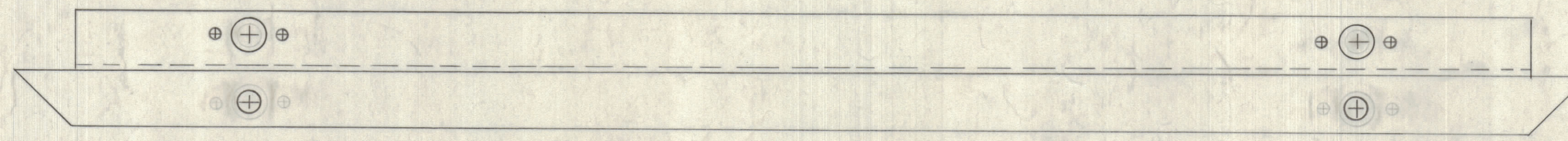
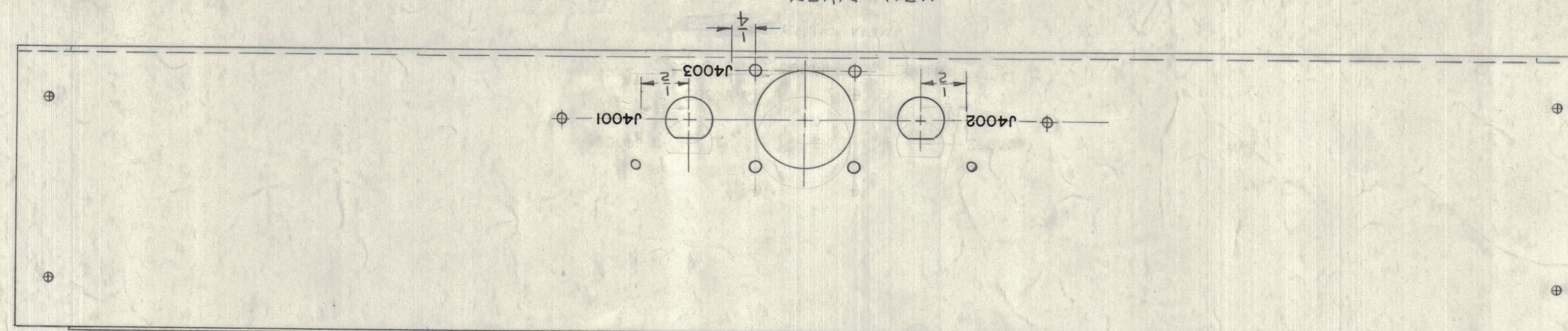


REAR VIEW



MARKING PROCESS: AS PER TMC SPECIFICATION S-727
 1/8 HIGH BLACK LUSTERLESS GOTHIC LETTERING
 ALL LETTER GROUPS TO BE CENTERED ON HOLES

REF: MS-2914(8)

LD-1065 B

SYM	ZONE	DESCRIPTION	DATE	CH. NO.	DRAFTS	CHECKER	ENG. APP.
B	F6	HOLES & LETTERING RELOCATED TO SCALE	3-2-62	3114			
A	F6	J4001, J4002 & J4003 RELOCATED (REAR VIEW)	3-4-62	2449			

UNLESS OTHERWISE SPECIFIED:
 DIMENSIONS ARE IN INCHES
 TOLERANCES ON
 FRACTIONS $\pm 1/64$ DECIMALS $\pm .005$ ANGLES $\pm 1/2^\circ$

SCALE
 MAXIMUM ALLOWABLE TOLERANCES HAVE BEEN DETERMINED AND ANY DEVIATIONS WILL BE CAUSE FOR REJECTION. REMOVE ALL BURRS & SHARP EDGES

REQ. PER UNIT	MODEL	SECTION	ASS'Y. NO.	DATE	TYPE & TEMPER	HEAT TREAT. SPEC.	FINISH & SPEC. NO.	DRWN	CHECKED	FINAL APPROVAL
1	HNF-1			7-26-62						
USED ON					SHEET		OF		LD-1065 B	

THE TECHNICAL MATERIEL CORP.
 MAMARONECK, NEW YORK
 LETTERING, REAR PANEL