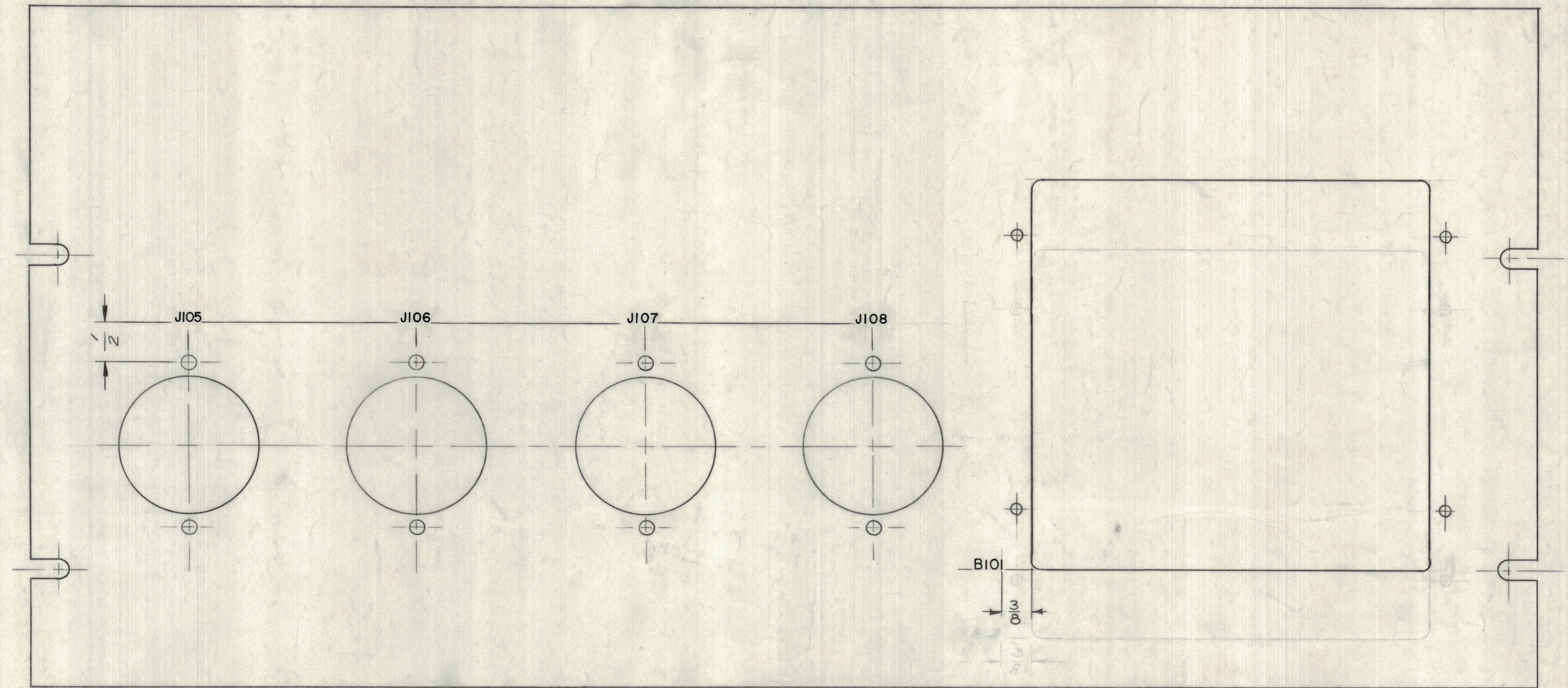


NOTICE TO PERSONS RECEIVING THIS DRAWING
 THE TECHNICAL MATERIEL CORPORATION claims proprietary right in the material disclosed herein. This drawing is issued in confidence for engineering information only and may not be reproduced or used to manufacture anything shown hereon without permission from THE TECHNICAL MATERIEL CORPORATION to the user. This drawing is loaned for mutual assistance and is subject to recall at any time.
 Property of:
 THE TECHNICAL MATERIEL CORPORATION
 MAMARONECK, NEW YORK

TOP OF PANEL



ALL LETTERING TO BE $\frac{1}{8}$ HIGH, BLACK GOTHIC, SILK SCREEN OR EQUIVALENT, AS SHOWN.
 ALL LETTER GROUPS TO BE CENTERED ON HOLES OR INDICATING LINES UNLESS OTHERWISE SPECIFIED.

LD-1011
A

REF: MS-1763 (3)

SYM	ZONE	DESCRIPTION	DATE	CH. NO.	DRAFTS	CHECKER	ENG. APP.
A	-	CUTOUT WITH HOLES # B101 LETT. RELOC.	8.22.64	12194	AB	C	[Signature]
UNLESS OTHERWISE SPECIFIED:			SCALE				
DIMENSIONS ARE IN INCHES			MAXIMUM ALLOWABLE TOLERANCES HAVE BEEN DETERMINED AND ANY DEVIATIONS WILL BE CAUSE FOR REJECTION. REMOVE ALL BURRS & SHARP EDGES				
TOLERANCES ON							
FRACTIONS $\pm 1/64$			DECIMALS $\pm .005$		ANGLES $\pm 1/2^\circ$		

REQ. ITEM	PART NO.	DESCRIPTION	SYMBOL
1	RAK-7	LETTERING, UTILITY PANEL, REAR VIEW (RAK-7)	A
MATERIAL		TYPE & TEMPER	HEAT TREAT. SPEC.
FINISH & SPEC. NO.		ELEC. DES. APP.	MECH. DES. APP.
USED ON		SHEET OF	

