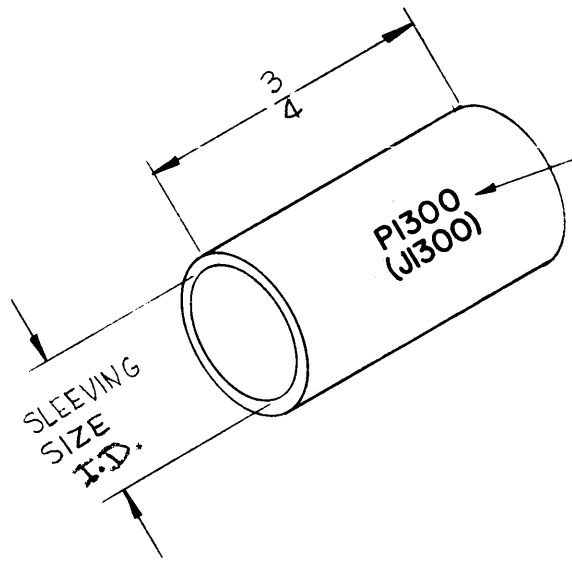


A

THE CONTENTS OF THIS DRAWING ARE THE EXCLUSIVE PROPERTY OF THE TECHNICAL MATERIEL CORP. ITS UNAUTHORIZED USE OR REPRODUCTION IN WHOLE OR IN PART IS STRICTLY FORBIDDEN.

STANDARD DRAWING

LA-106



LETTERING TO BE 1/8 HIGH BLACK GOTHIC.

NOMENCLATURE SHALL BE IN THE FOLLOWING FORM

LA-106-1-PI300(J1300)

BASIC DWG. NO. SEE LETTERING TO BE STAMPED ON SLEEVING CHART

SUPERSEDED

REPLACED BY LA107
(SEE CHART)

SUPERSEDED AND DIRECTLY

REPLACED BY

SLEEVING CHART

REPLACED BY	TMC PART NO.	SIZE NO.	NOMINAL I.D.
LA107 -1	LA-106-1	24	.022
-1	LA-106-2	20	.034
-1	LA-106-3	19	.038
-2	LA-106-4	18	.042
-2	LA-106-5	17	.047
-3	LA-106-6	16	.053
-3	LA-106-7	15	.059
-4	LA-106-8	14	.066
-5	LA-106-9	13	.076
-6	LA-106-10	12	.085
-6	LA-106-11	11	.095
-8	LA-106-12	10	.106
-8	LA-106-13	9	.118
-8	LA-106-14	8	.133
-10	LA-106-15	7	.148
-10	LA-106-16	6	.166
-10	LA-106-17	5	.186
-11	LA-106-18	4	.208
-12	LA-106-19	3	.234
-13	LA-106-20	2	.263
-13	LA-106-21	1	.294
-13	LA-106-22	5/16	.315
-14	LA-106-23	0	.330
-14	LA-106-24	3/8	.375
-16	LA-106-25	7/16	.438
-16	LA-106-26	1/2	.500
-18	LA-106-27	5/8	.625
-20	LA-106-28	7/8	.875
-22	LA-106-29	1	1.00
-23	LA-106-30	1-1/4	1.250
-25	LA-106-31	1-1/2	1.500

Ref: Markwik Sales Corp.

REQ.	ITEM	PART NO.	DESCRIPTION	SYMBOL
			STRAVER	
STOCK SIZE			THE TECHNICAL MATERIEL CORP. MAMARONECK, NEW YORK	
White Vinyl Tubing			SLEEVING, LETTERED	
MATERIAL				
			EG	ASG
			WAT	BP
			3-9-62	
			Hot Indeli-dent	
			JMA	MD
			ELEC. DES. APP.	MECH. DES. APP.
			LA-106	A

SYM	DESCRIPTION	DATE	CH. NO.	DRAFTS	CHECKER	ENG. APP.
A	SUPERSEDED BY LA107 AND COL ADDED	7-8-62	14409	D.V.V.	9010	M.M.

UNLESS OTHERWISE SPECIFIED:
DIMENSIONS ARE IN INCHES
TOLERANCES ON
FRACTIONS ± 1/64 DECIMALS ± .005 ANGLES ± 1/2°

SCALE:
MAXIMUM ALLOWABLE TOLERANCES HAVE BEEN DETERMINED AND ANY DEVIATIONS WILL BE CAUSE FOR REJECTION.
REMOVE ALL BURRS AND SHARP EDGES

REQ. PER UNIT	MODEL	SECTION	ASS'Y. NO.	DATE
				3-9-62

USED ON