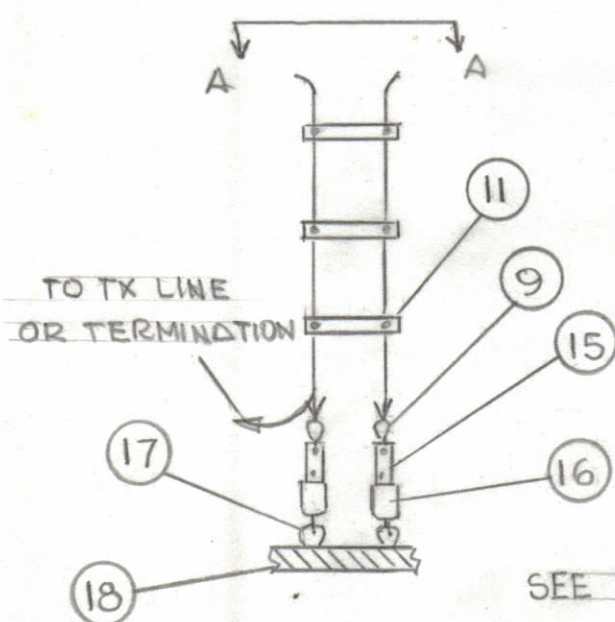
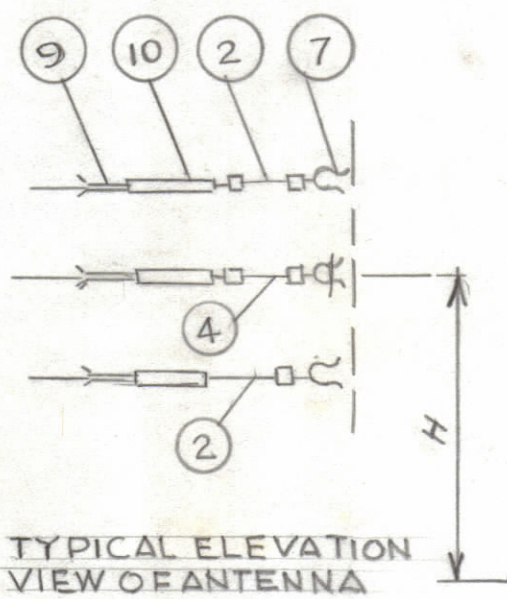
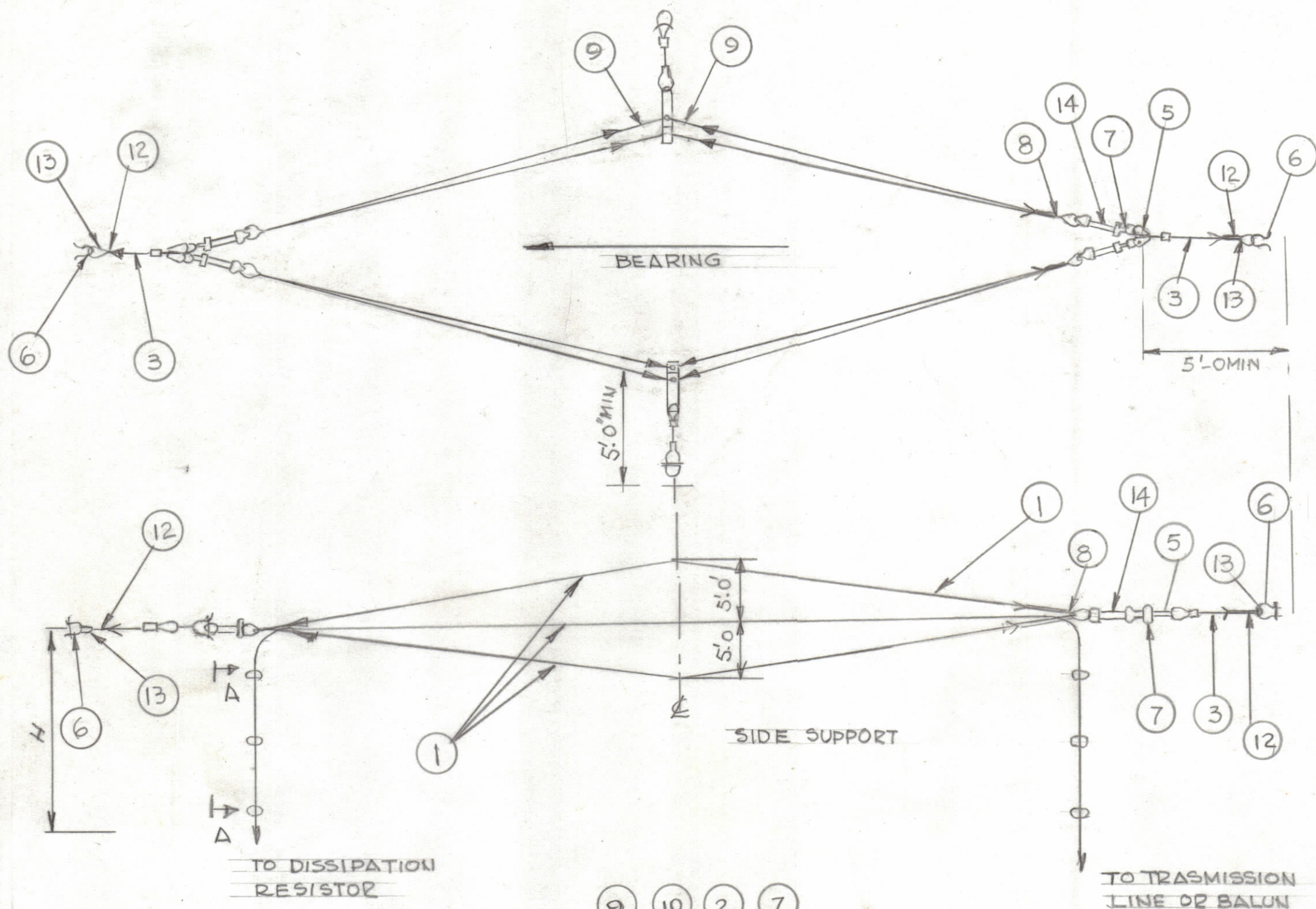


NOTES:

* OPTIONAL, NOT PART OF KIT

REVISIONS							
ZONE	LTR	DESCRIPTION	DATE	E.M.N.NO	DRAFT	CHKD	APPD



QTY. REQ.	ITEM	PART NO.	DESCRIPTION	SYMBOL
*	2	18	WOOD CROSS ARM	
*	4	17	EYE BOLD, 1/2 x 6" W/NUT	
*	4	16	SC-A-274 SHACKLE, INSULATOR	
*	4	15	SC-A-286 STRAIN, INSULATOR, DOWN LEADS.	
	4	14	STRAIN, INSULATOR, EYE ENDS	
	2	13	THIMBLE, 7/16 GALV	
	2	12	PLP GRIP 7/16 BG-2148	
*	6	11	A-1082 SPREADER INSULATOR, 12" ROUND	
	6	10	STRAIN, INSULATOR, SIDE, RECTANG.	
	24	9	PLP GRIP CDE 3#12 CDE 8102	
	4	8	PLP GRIP 3 WAY CDE 3-112 (GG MS-5152)	
	10	7	SHACKLE, 3/8"	
	2	6	SHACKLE, 1/2"	
	2	5	727-170 EQUALIZER PLATE, 3 HOLE	
	2	4	S3 SLING, SIDE, 1/4" L7 EHS, 2'-6" LG	
	2	3	S1 SLING, END, 7/16-7 UTIL, 4'-0" LG	
	4	2	S2 SLING, SIDE, 1/4-7 EHS, 2'-7 3/4 LONG	
	3	1	WIRE 3#12 COPPER WELD, H.S. 40% CONDUCT	

LIST OF MATERIAL

QTY / UNIT	MODEL USED ON	ASS'Y NO.
	APPLICATION	
	CODE	B-RA-4-T

NOTICE TO PERSONS RECEIVING THIS DRAWING
 THE TECHNICAL MATERIEL CORPORATION claims proprietary right in the material disclosed hereon. This drawing is issued in confidence for engineering information only and may not be reproduced or used to manufacture anything shown hereon without permission from THE TECHNICAL MATERIEL CORPORATION to the user. This drawing is loaned for mutual assistance and is subject to recall at any time.

UNLESS OTHERWISE SPECIFIED DIMENSIONS ARE IN INCHES AND INCLUDE CHEMICALLY APPLIED OR PLATED FINISHES	FINAL APPROVAL <i>[Signature]</i> DATE 12/6/90
TOLERANCES ON	MECH. DES. S.D. DATE 12/6/90
DECIMALS .X ± .05 .XX ± .01 .XXX ± .005	ELECT. DES. DATE
FRACTIONS ± 1/64 ANGLES ± 0°-30'	CHECKED <i>[Signature]</i> DATE 12-6-90
MATERIAL	DRAWN G.D.L. DATE 12-4-90
FINISH	

THE TECHNICAL MATERIEL CORP. MAMARONECK, NEW YORK	
RHOMBIC TRANSMITTING ANT. SPARE PARTS KIT (TYPE D, E & F)	
SIZE C	CODE IDENT. NO. 82679
DWG NO. KIT 464	ISSUE [Symbol]
SCALE	SHEET OF