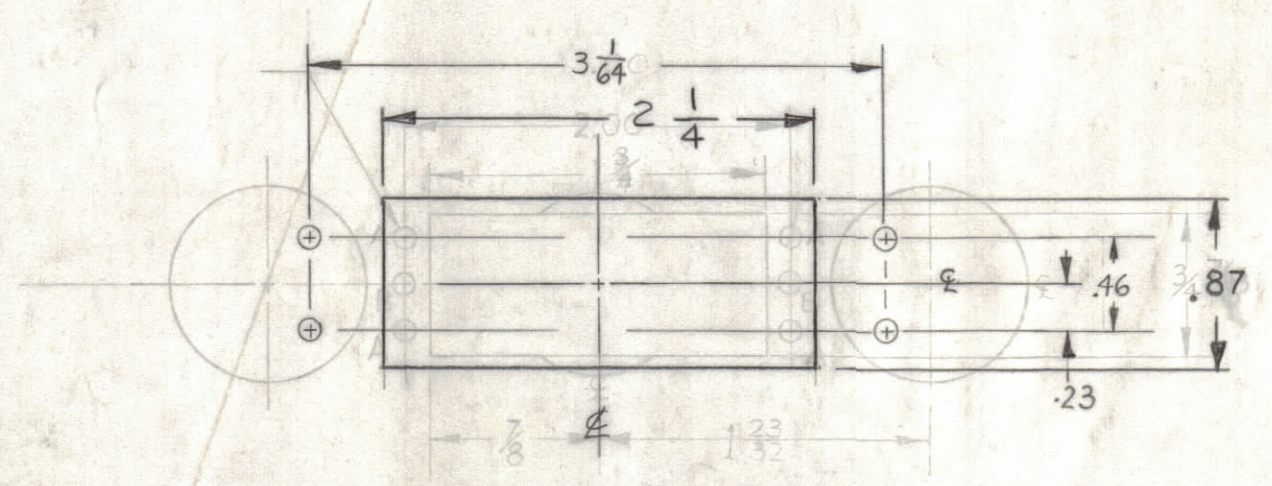
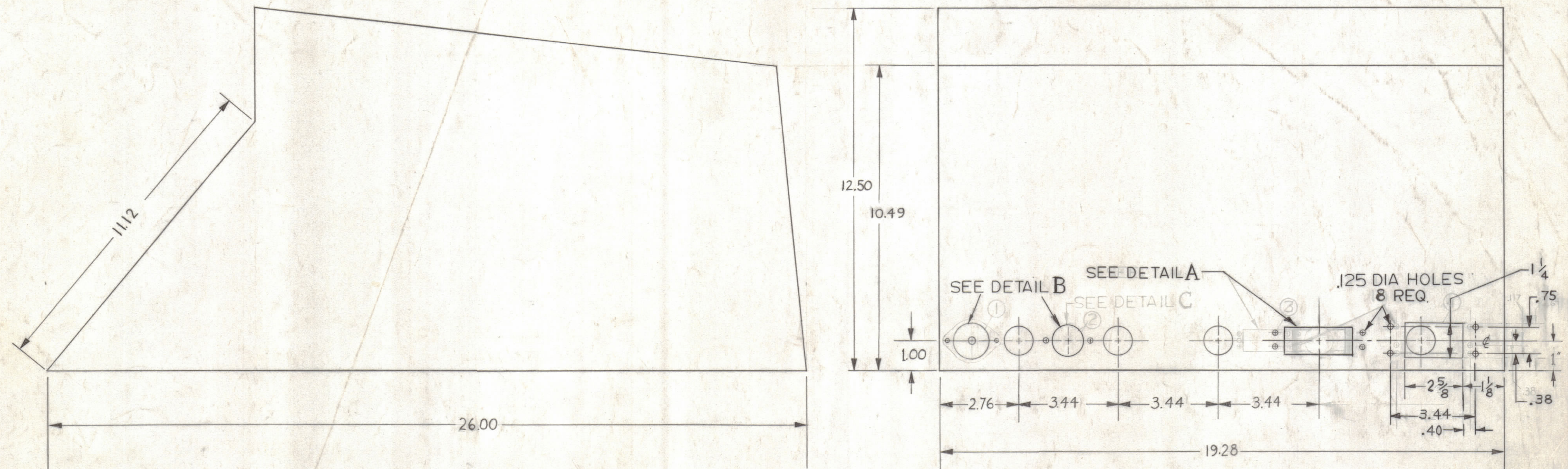


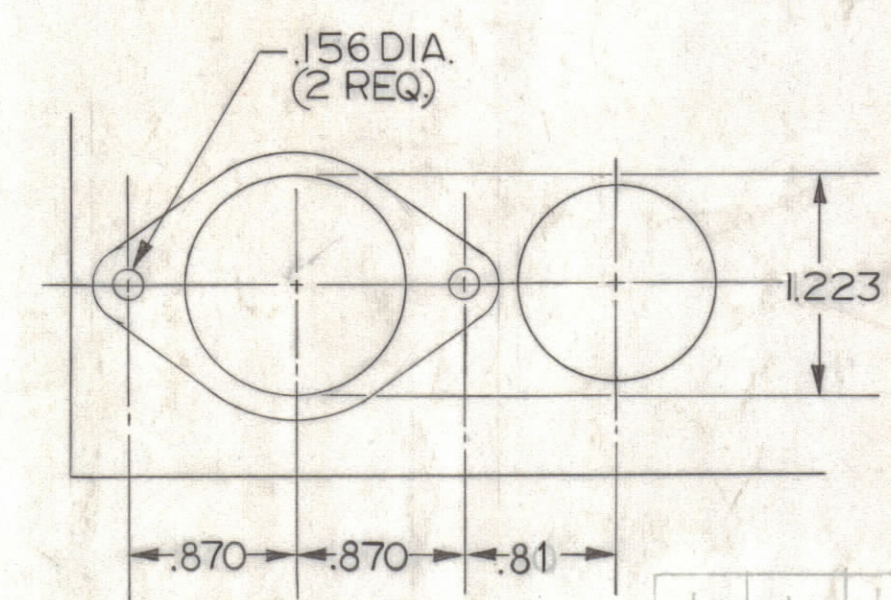
REVISIONS						
ZONE	LTR	DESCRIPTION	DATE	E.M.N.NO	DRAFT	CHKD APPD
	0	ORIGINAL RELEASE	5/26/73		CS	

RIGHT SIDE

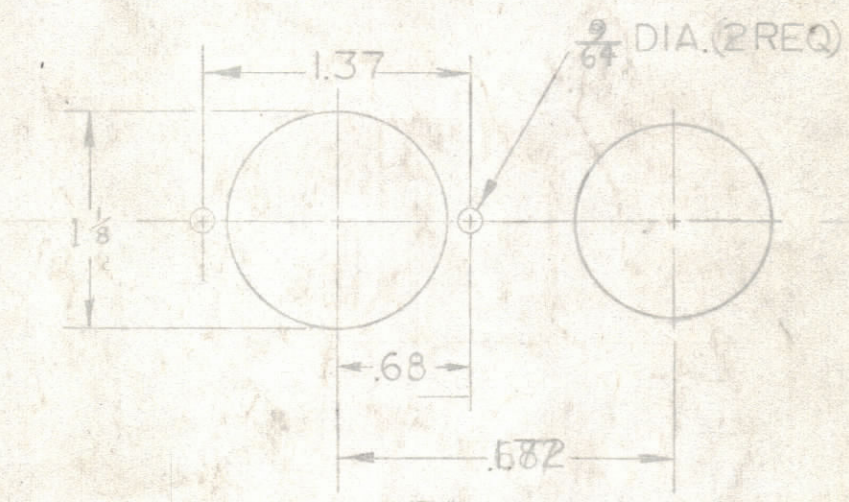
REAR VIEW



DETAIL A  
SCALE 1:1



DETAIL B  
SCALE 1:1



DETAIL C  
SCALE 1:1

A .120 DIA. HOLES — 1 REQ  
B .140 DIA. HOLES — 2 REQ

QTY. REQ.	ITEM	PART NO.	DESCRIPTION	SYMBOL
1	1	JJ-333-75-P-FS	75 PIN CONNECTION BC19	J18
1	2	JJ-100	DC RECEPTICAL BC19	J17
1	3	JJ-333-42-P-FS	42 PIN CONNECTION (19) 10 CONSOLE LETTER	J19
1	4	JJ-333-75-P-FS	75 PIN CONN 94 BC19	J18

LIST OF MATERIAL

BC-19A		
QTY / UNIT	MODEL USED ON	ASS'Y NO.
APPLICATION		
CODE		
<p>NOTICE TO PERSONS RECEIVING THIS DRAWING</p> <p>THE TECHNICAL MATERIEL CORPORATION claims proprietary right in the material disclosed hereon. This drawing is issued in confidence for engineering information only and may not be reproduced or used to manufacture anything shown hereon without permission from THE TECHNICAL MATERIEL CORPORATION to the user. This drawing is loaned for mutual assistance and is subject to recall at any time.</p>		

UNLESS OTHERWISE SPECIFIED DIMENSIONS ARE IN INCHES AND INCLUDE CHEMICALLY APPLIED OR PLATED FINISHES	
TOLERANCES ON	
DECIMALS	FRACTIONS
.X ± .05	± 1/64
.XX ± .01	ANGLES
.XXX ± .005	± 0° -30'
MATERIAL	
FINISH	

FINAL APPROVAL	DATE
<i>[Signature]</i>	5/9/73
MECH. DES.	DATE
ELECT. DES.	DATE
CHECKED	DATE
DRAWN	DATE
C. Grob	11/26/67

THE TECHNICAL MATERIEL CORP. MAMARONECK, NEW YORK			
MODIFICATION AND INSTALLATION REAR OF BC-19A			
SIZE	CODE IDENT. NO.	DWG NO.	ISSUE
C	82679	KIT-350	<i>[Signature]</i>
SCALE 3/8" = 1"			SHEET 1 OF 1

KIT-350