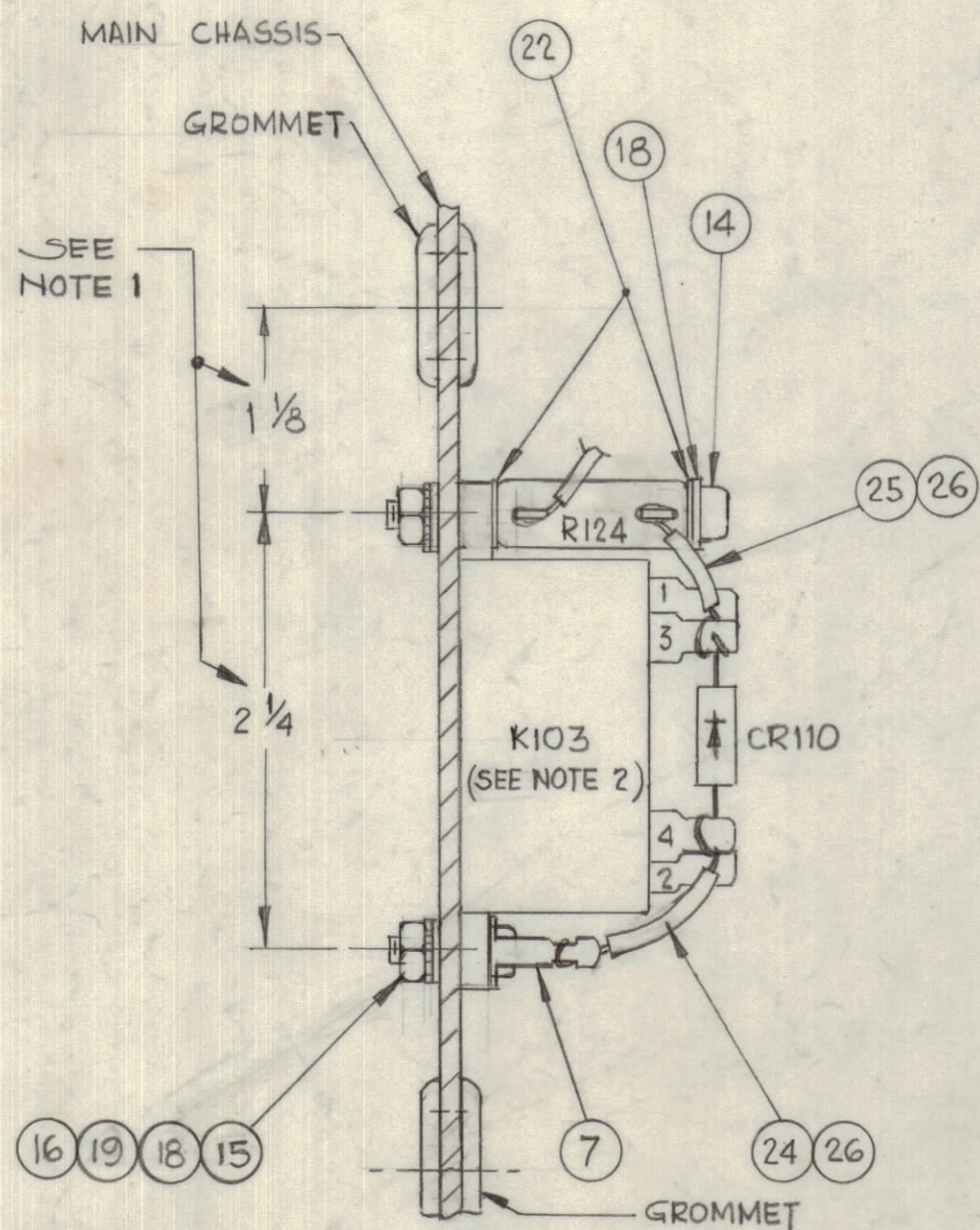
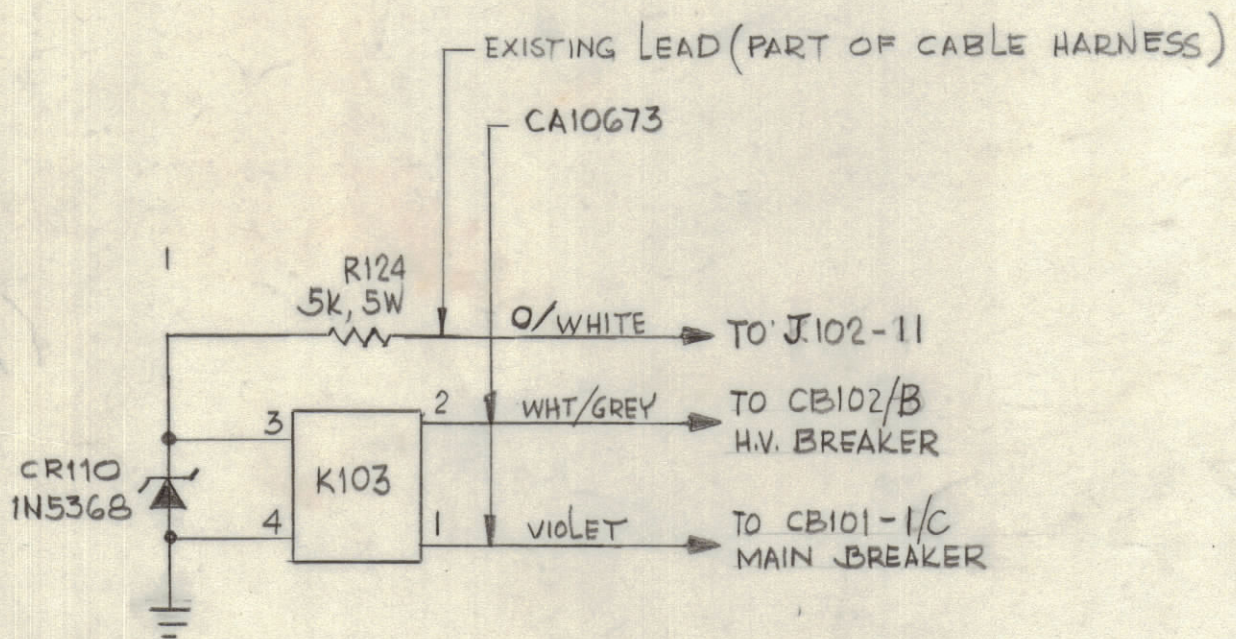


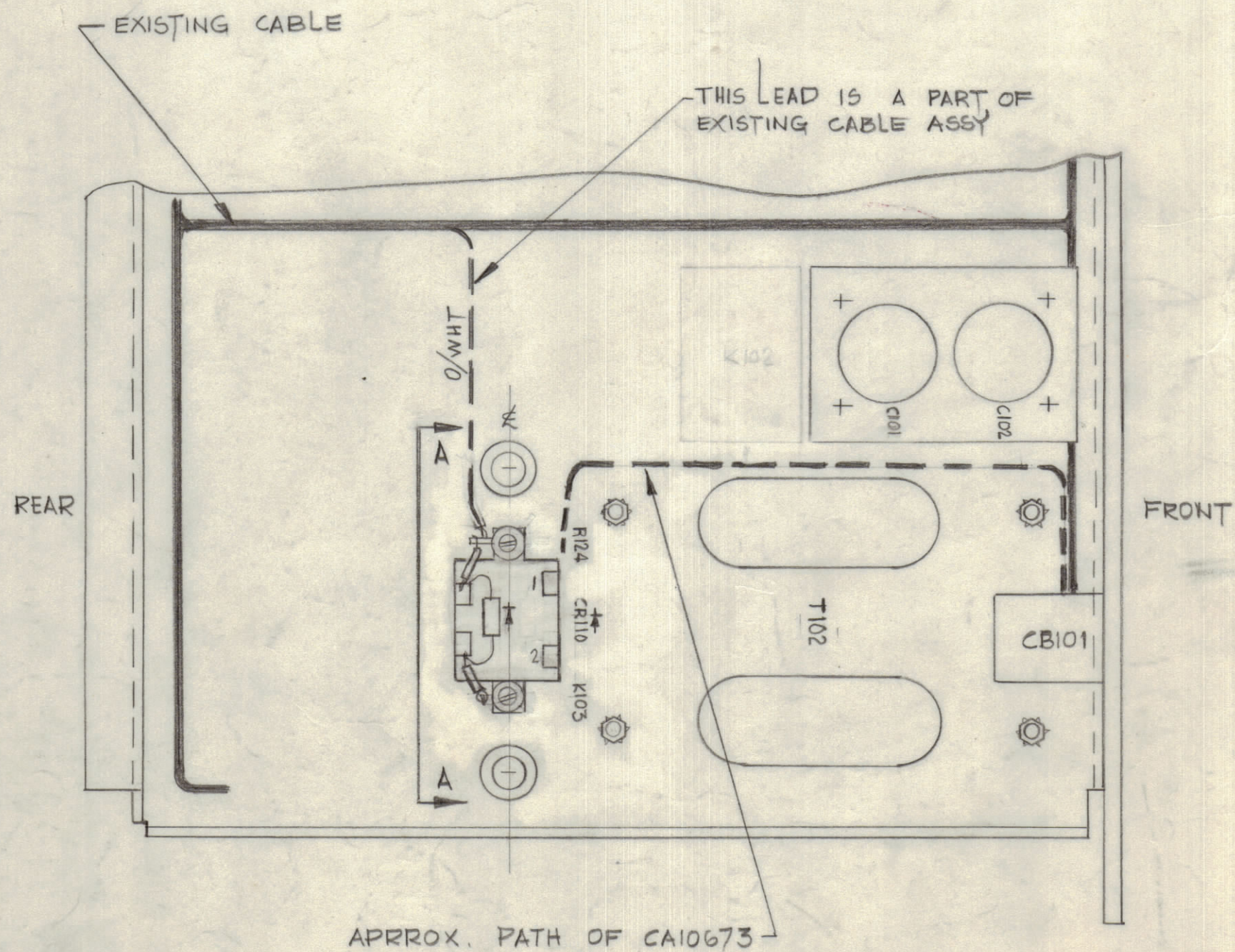
IF IT IS FOUND DESIRABLE TO CHANGE ANY TOLERANCE OR OTHER DETAIL SPECIFIED ON THIS DRAWING NOTIFY THE PURCHASER PROMPTLY.		DIMENSIONS IN INCHES UNLESS OTHERWISE SPECIFIED					
MAXIMUM ALLOWABLE TOLERANCES HAVE BEEN DETERMINED AND DEVIATIONS WILL BE CAUSE FOR REJECTION. REMOVE ALL BURRS AND SHARP EDGES.							
ISSUE	ITEM	CHANGED FROM	DATE	CN. NO.	DRAFTS	CHECKER	ENG. APP.
Ø		PROD. RELEASE	7 JULY 73	1234	dvm		

NOTES:

1. DRILL (2) - 1/64 DIA. HOLES IN DIMENSIONS SHOWN WITH CENTERS IN LINE WITH THE (2) EXISTING HOLES WHERE GROMMETS ARE MOUNTED.
2. APPLY HEATSINK SILICONE COMPOUND, ITEM 9 BETWEEN K103 RELAY AND CHASSIS



SECT. A-A  
SCALE 1:1



BOTTOM VIEW

REQ.	ITEM	PART NO.	DESCRIPTION	SYMBOL
1	1	A11081	ASSEMBLY, SOLID STATE RELAY	
	2			
	3			
REF	4	RL10046	RELAY, SOLID STATE	
REF	5	1N5368	DIODE, ZENER	
REF	6	RW107-47	RESISTOR FIXED	
REF	7	TE149-.136	TERMINAL, SOLDER	
1	8	CA10673	ASSEMBLY, CABLE	
REF	9	GL138	HEAT SINK, SILICONE COMPOUND	
	10			
	11			
	12			
	13			
REF	14	SCPP06325529	SCREW	
REF	15	SCPP0632559	SCREW	
REF	16	NTH632BN8	NUT, HEX	
	17			
REF	18	FW06SS	WASHER, FLAT	
REF	19	LWE06SS	LOCKWASHER EXT.	
	20			
	21			
REF	22	WA102-4	WASHER INSULATOR	
	23			
REF	24	PX104-0-.034	GLEEING	
REF	25	PX104-1-.034	SLEEING	
REF	26	WL100-6	WIRE BUSS	
	27			
	28			
	29			
	31			

KIT 10047 Ø

TOLERANCES		SCALE: 1:2
ALL OTHERS	DEC. DIM. ± .05 FRAC. DIM. ± 1/64 ANGULAR DIM. ± 0° 30'	DRILL, PUNCH, COMMERCIAL STOCK SIZES AND MANUFACTURERS TOLERANCES ARE NOT INCLUDED.

PSP-500	142/72	A11081	7 July 1973
MODEL	PROJECT NO.	ASS'Y. NO.	DATE

STOCK SIZE		TMC (Canada) LIMITED OTTAWA ONTARIO	
MATERIAL		MOD. KIT SOLID STATE P.T.T. RELAY PSP-500	
WEIGHT PER PC.		dvm	
TYPE & TEMPER		DRAWN	ELEC. DES. APP.
HEAT TREAT. SPEC.		CHECKED	FINAL APPROVAL
FINISH & SPEC. NO.		KIT 10047 Ø	