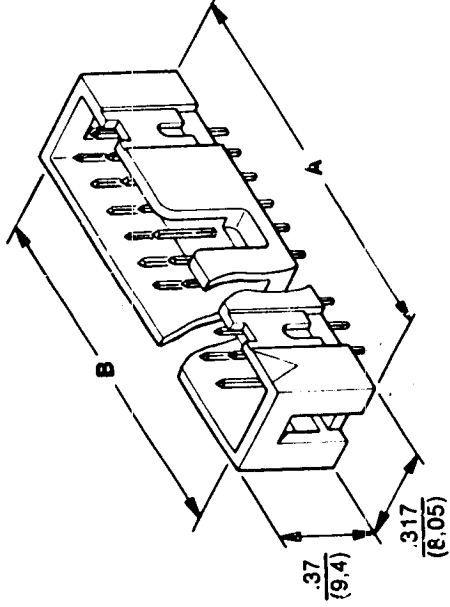


APPLICATION		REVISIONS							
QTY	MODEL USED ON	ASSY NO.	ITR	DESCRIPTION	DATE	F M N NO	DRAFT	CHKD	APPD

1 MAM X-4 A 5836

Header 4-Wall Low Profile Straight Solder Pin .100" X .100"



Contact Quantity	Straight Solder Pin MFG Part No.	Dimensions		
		A	B	C
26	35AB-6003	1.61 (40.9)	1.51 (38.4)	.155 (3.94)

REF: 401-535

REQ'D	ITEM	PART NUMBER	DESCRIPTION	SYM.
LIST OF MATERIAL				
			THE TECHNICAL MATERIEL CORP. MAMARONECK, NEW YORK	
			<i>CONNECTOR HEADERS</i>	
FINAL APPROVAL		DATE		
MECH. DES.		DATE		
ELECT. DES.		DATE		
CHECKED		DATE		
DRAWN		DATE		
		3/8/85		

<p>NOTICE TO PERSONS RECEIVING THIS DRAWING THE TECHNICAL MATERIEL CORPORATION claims proprietary right in the material disclosed hereon. This drawing is issued in confidence for engineering information only and may not be reproduced or used to manufacture anything shown hereon without permission from THE TECHNICAL MATERIEL CORPORATION to the user. This drawing is loaned for mutual assistance and is subject to recall at any time.</p>		SIZE	CODE IDENT. NO.	DWG NO.	ISSUE
		A	82679	JJ365	XO
		SCALE		SHEET	OF