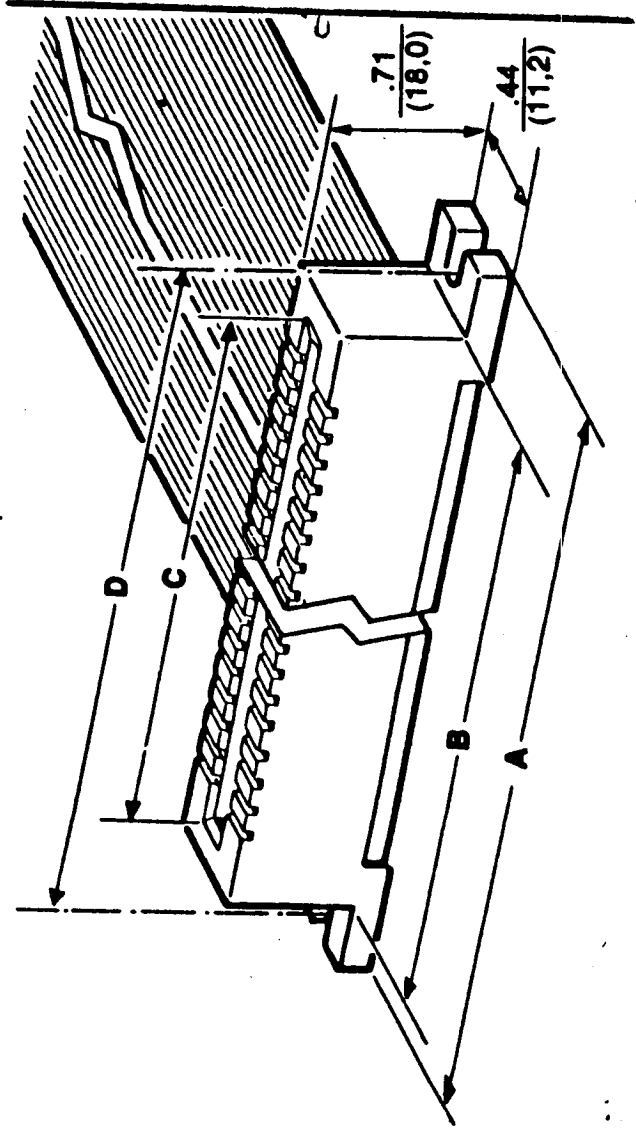


APPLICATION		REVISIONS							
QTY	MODEL USED ON	ASS'Y NO	LTR	DESCRIPTION	DATE	E.M.N.NO	DRAFT	CHKD	APPD

1) MmX4 A5845



Contact Qty	MFG Part Number	Mounting Style	Dimensions			
			A	B	C	D
26	3462-	Without Mounting	-	1.76 (44.7)	1.404 (35.66)	-
	0001	Flanges				

REF 5401-535

UNLESS OTHERWISE SPECIFIED DIMENSIONS ARE IN INCHES AND INCLUDE CHEMICALLY APPLIED OR PLATED FINISHES		REQ'D ITEM	PART NUMBER	DESCRIPTION	SYM.
DECIMALS		LIST OF MATERIAL			
FRACTIONS		THE TECHNICAL MATERIEL CORP.			
.X ± .05 TOLS. 1/64		MAMARONECK, NEW YORK			
.XX ± .01 ANGLES 90°-30°		P.C.B. EDGE CONNECTOR			
.XXX ± .005		SCALE			
MATERIAL		SIZE			
FINISH		CODE IDENT. NO.			
		DWG NO.			
		ISSUE			

NOTICE TO PERSONS RECEIVING THIS DRAWING
 THE TECHNICAL MATERIEL CORPORATION claims proprietary right in the material disclosed hereon. This drawing is issued in confidence for engineering information only and may not be reproduced or used to manufacture anything shown hereon without permission from THE TECHNICAL MATERIEL CORPORATION to the user. This drawing is loaned for mutual assistance and is subject to recall at any time.