

5

4

3

2

1

REVISIONS						
ZONE	LTR	DESCRIPTION	DATE	E.M.N.NO	DRAFT	CHKD
	X	EXP. RELEASE	9/16/69		LH	JDe
	Ø	ORIGINAL RELEASE	9/30/69		W	

SPECIFICATIONS

SERIES : QDS TO HN
 NO. OF CONTACTS : ONE (1)
 TYPE OF CONTACT : FEMALE
 DIELECTRIC : TEFLON

ELECTRICAL DATA

MAX. PEAK OPERAT. VOLTAGE : 1,500V
 FREQUENCY LIMIT : 10,000 MHZ
 IMPEDANCE : 50 OHMS

MATING ACCOMODATIONS

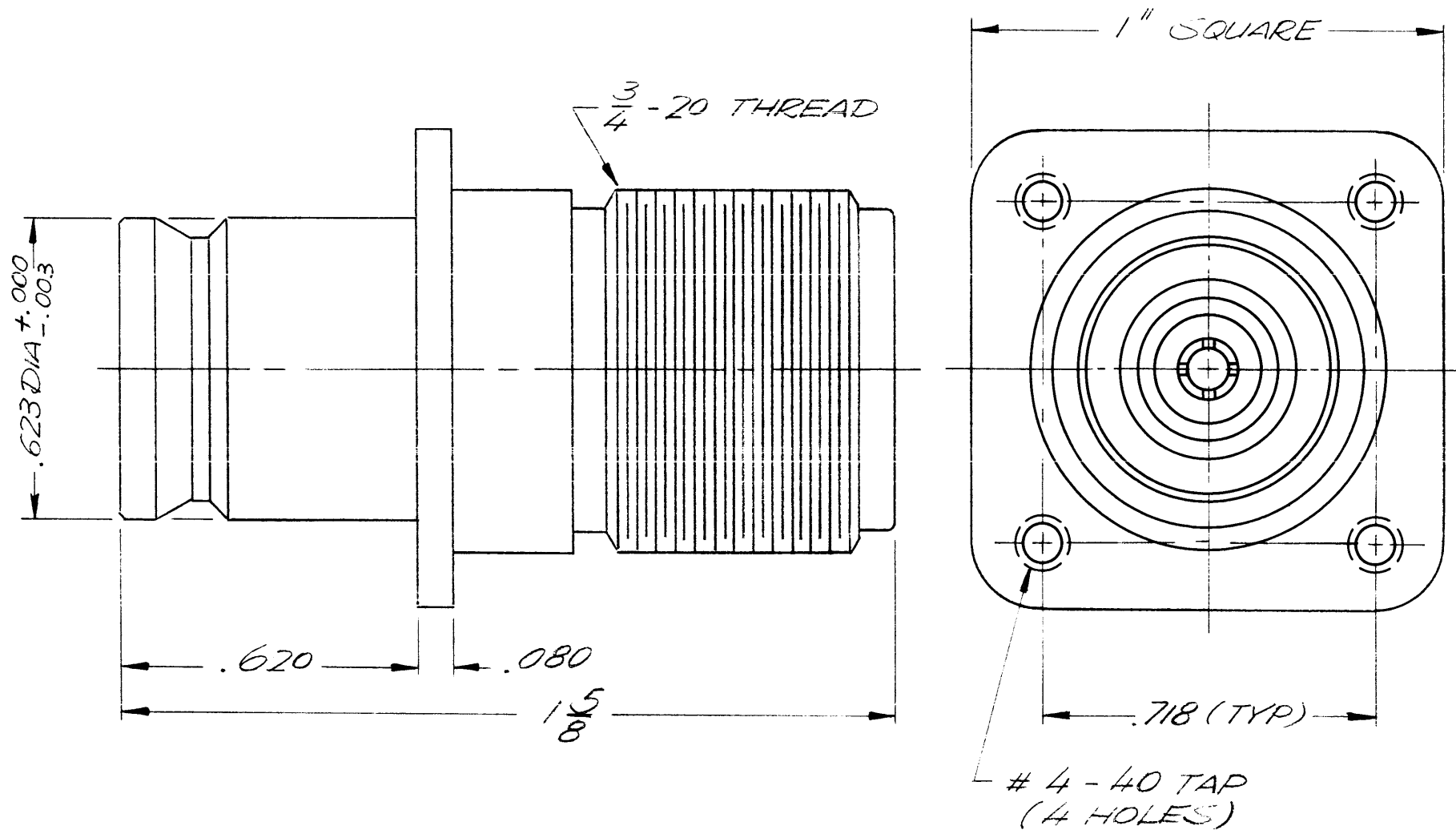
QDS (F) TO HN (F)

MATERIAL

EXTERNAL PARTS : BRASS
 CONTACT : BERYLLIUM COPPER

FINISH

EXTERNAL PARTS : SILVER PLATE
 AND RHODIUM FLASH
 CONTACT : SILVER PLATE
 AND GOLD FLASH.



REQ'D	ITEM	PART NUMBER	DESCRIPTION	SYM.
LIST OF MATERIAL				
FINAL APPROVAL <i>[Signature]</i> DATE 9/27/69				
MECH. DES. DATE				
ELECT. DES. DATE				
CHECKED <i>[Signature]</i> DATE 9/17/69				
DRAWN <i>[Signature]</i> DATE 9/16/69				
THE TECHNICAL MATERIEL CORP. MAMARONECK, NEW YORK				
CONNECTOR, ADAPTOR QDS (F) TO HN (F)				
SIZE	CODE IDENT. NO.	DWG NO.	ISSUE	
B	82679	JT 349	Ø	
SCALE			SHEET OF	

QDP8B1X11		
QTY / UNIT	MODEL USED ON	ASS'Y NO.
APPLICATION		
CODE	S401-70 (3963)	

UNLESS OTHERWISE SPECIFIED DIMENSIONS ARE IN INCHES AND INCLUDE CHEMICALLY APPLIED OR PLATED FINISHES	
DECIMALS	FRACTIONS
.X ± .05	1/64
.XX ± .01	TOLS. ANGLES
.XXX ± .005	0° - 30'
MATERIAL	-H-
FINISH	-H-

NOTICE TO PERSONS RECEIVING THIS DRAWING
 THE TECHNICAL MATERIEL CORPORATION claims proprietary right in the material disclosed hereon. This drawing is issued in confidence for engineering information only and may not be reproduced or used to manufacture anything shown hereon without permission from THE TECHNICAL MATERIEL CORPORATION to the user. This drawing is loaned for mutual assistance and is subject to recall at any time.

5

4

3

2

1