

REVISIONS

ZONE	LIR	DESCRIPTION	DATE	E.M.N. NO	DRAFT	CHKD	APPD
	Ø	ORIGINAL RELEASE	6/10/69	Ø	De		De

Specifications

Series - BNC-70 (switch)
 No. of contacts - one (1)
 Type of contact - female
 Dielectric - Teflon

Electrical Data

Max. peak volt. - 500v
 Freq. limit - 10,000MHz
 Nom. impedance - 70 ohms

Dimensions shown with switch closed (normal).
 Movement of insulator assembly backward
 at engagement - 0.085".

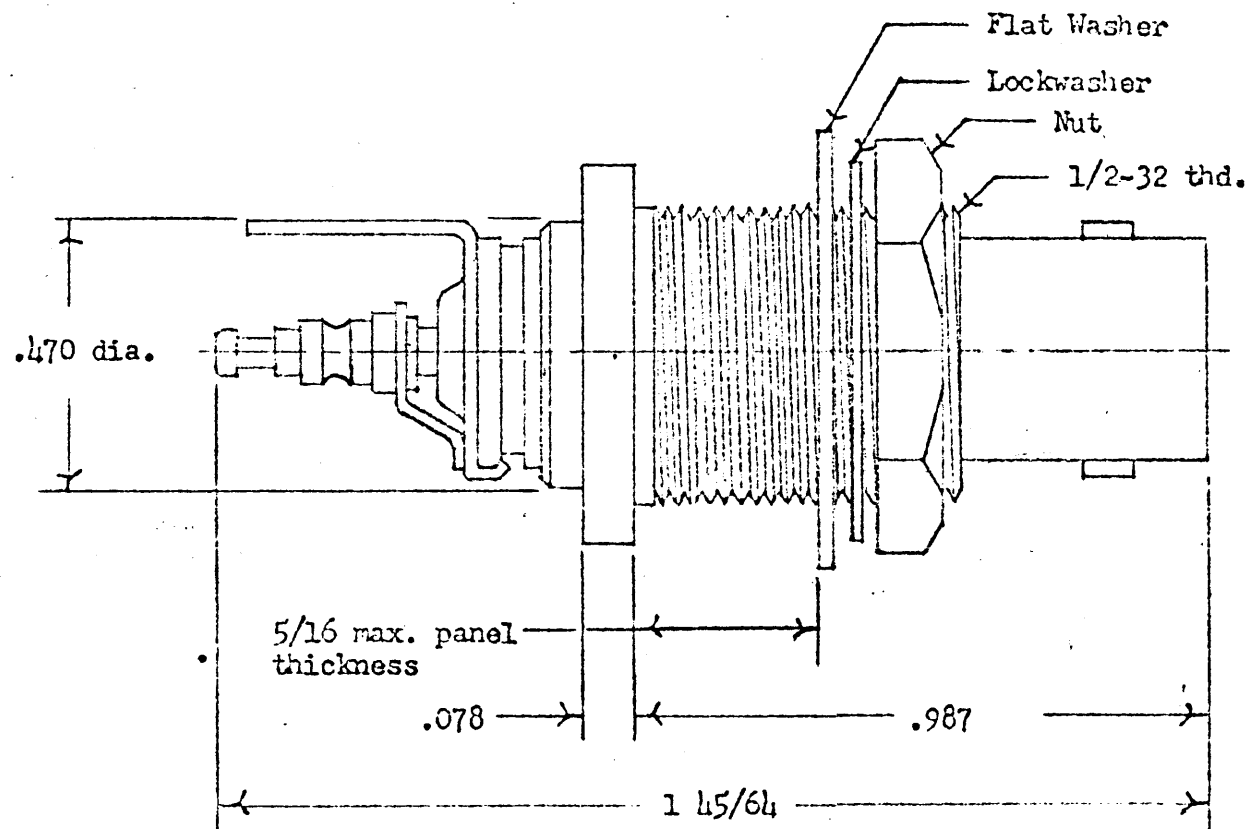
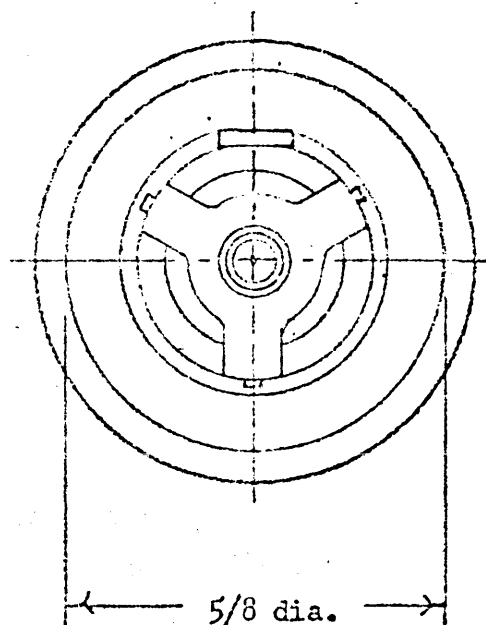
Material

External parts - brass
 Contact - beryllium copper
 Lockwasher - phosphor bronze

Finish

External parts - silver plate & rhodium flash
 Contact - silver plate & gold flash

Note: CAUTION: USE BNC MATING
 SERIES 70 OHM CONNECTER



A/R	SW489	
A/R	SW484	
A/R	SW483	
A/R	SW477	
QTY / UNIT	MODEL USED ON	ASS'Y NO.

APPLICATION

CODE

NOTICE TO PERSONS RECEIVING THIS DRAWING
 THE TECHNICAL MATERIEL CORPORATION claims proprietary right in the material disclosed hereon. This drawing is issued in confidence for engineering information only and may not be reproduced or used to manufacture anything shown hereon without permission from THE TECHNICAL MATERIEL CORPORATION to the user. This drawing is loaned for mutual assistance and is subject to recall at any time.

UNLESS OTHERWISE SPECIFIED
 DIMENSIONS ARE IN INCHES
 AND INCLUDE CHEMICALLY APPLIED
 OR PLATED FINISHES

DECIMALS	FRACTIONS
.X ± .05	1/64
.XX ± .01	TOLS. ANGLES
.XXX ± .005	0° .30'

MATERIAL SEE NOTES

FINISH SEE NOTES

REQ'D	ITEM	PART NUMBER	DESCRIPTION	SYM.
	A. MARTINEZ		LIST OF MATERIAL	
			THE TECHNICAL MATERIEL CORP. MAMARONECK, NEW YORK	
			CONNECTOR, RECEPTACLE - SWITCH TYPE	
			SIZE B	
			CODE IDENT. NO. 82679	
			DWG NO. JJ348	
			SCALE	
			SHEET	OF

S401-70-3962