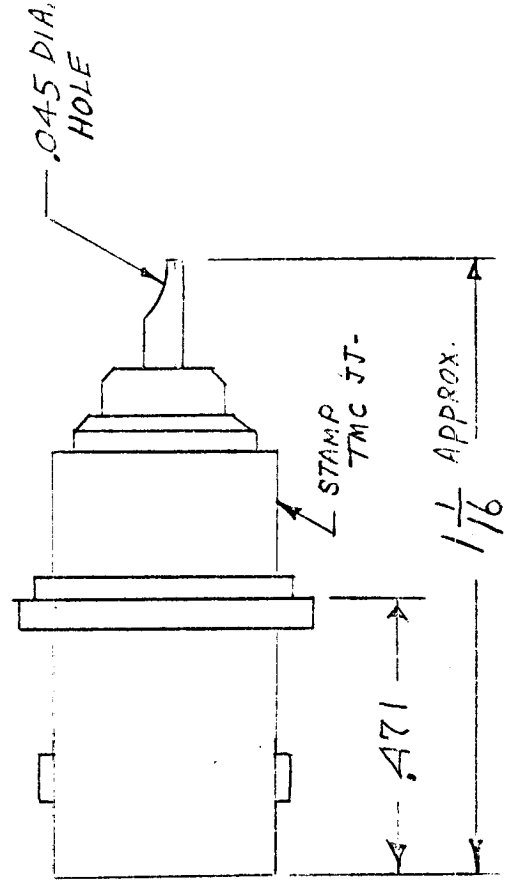
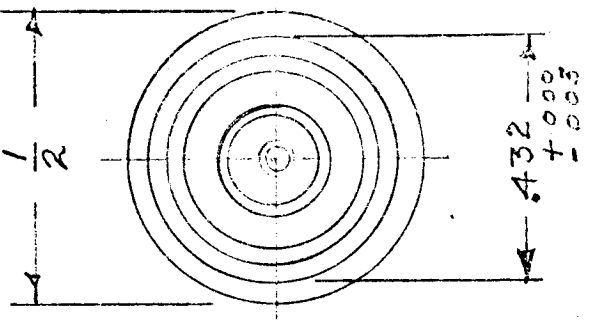


APPLICATION		REVISIONS							
QTY	MODEL USED ON	ASSY NO.	LTR	DESCRIPTION	DATE	E.M.N.NO	DRAFT	CHKD	APPD
2	Sw 477		Ø	ORIGINAL RELEASE	6/19/69		40		
2	Sw 483								
2	Sw 484								
2	Sw 489								



Specifications
 Series - BNC-70 (F)
 No. of contacts - one (1)
 Type of contact - female
 Dielectric - Teflon.

Electrical data
 Max. peak volt. - 500v
 Freq. limit - 10,000MHz
 Nom. impedance - 70 ohms

Material
 External parts - brass
 Contact - beryllium copper
 Lockwasher - phosphor bronze

Finish
 External parts - silver plate & rhodium flash
 Contact - silver plate & gold flash

Note CAUTION: Use BNC MATING TO OHM SERIES ONLY.

UNLESS OTHERWISE SPECIFIED DIMENSIONS ARE IN INCHES AND INCLUDE CHEMICALLY APPLIED OR PLATED FINISHES		REQ'D	ITEM	PART NUMBER	DESCRIPTION	SYM.
DECIMALS	FRACTIONS	LIST OF MATERIAL				
.X ± .05	1/64	THE TECHNICAL MATERIEL CORP.				
.XX ± .01	ANGLES	MAMARONECK, NEW YORK				
.XXX ± .005	90°-30'	RECEPTACLE, BNC, P/O SW-SERIES				
MATERIAL	FINISH	FINAL APPROVAL	MECH. DES.	ELECT. DES.	CHECKED	DRAWN
		DATE	DATE	DATE	DATE	DATE
					6/19/69	6/19/69
S401-70-3947						

NOTICE TO PERSONS RECEIVING THIS DRAWING
 THE TECHNICAL MATERIEL CORPORATION claims proprietary right in the material disclosed hereon. This drawing is issued in confidence for engineering information only and may not be reproduced or used to manufacture anything shown hereon without permission from THE TECHNICAL MATERIEL CORPORATION to the user. This drawing is loaned for mutual assistance and is subject to recall at any time.

SIZE	CODE IDENT. NO.	DWG NO.	ISSUE
A	82679	JJ 346	1
SCALE	SHEET	OF	