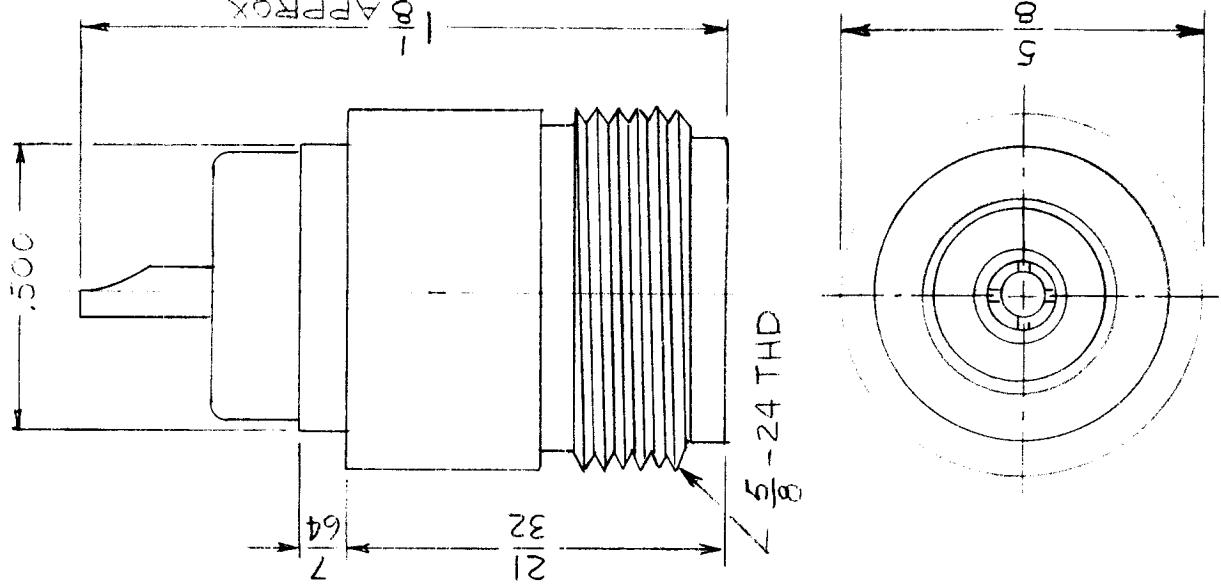


APPLICATION			REVISIONS						
QTY	MODEL USED ON	ASSY NO.	LTR	DESCRIPTION	DATE	F M N NO	DRAFT	CHKD	APPD
2	SW458		X	EXPERIMENTAL RELEASE			C.V.		<i>JJA</i>
			Ø	ORIGINAL RELEASE			CV		<i>JJA</i>



**SPECIFICATIONS**

SERIES: N  
 NO. OF CONTACTS: ONE  
 TYPE OF CONTACTS: FEMALE  
 DIELECTRIC: TEFLON

ELECTRICAL DATA  
 MAX PEAK OPR VOLT: 1500 VOLTS  
 FREQ. LIMIT: 10,000 Mcs  
 NOMINAL IMPEDANCE: 70 OHMS

CABLE ACCOMMODATIONS  
 TYPE: NONE

MATING ACCOMMODATIONS  
 TYPE: N UG94A U

MATERIAL  
 EXTERNAL PARTS: BRASS  
 CONTACT: BERYLLIUM COPPER  
 GASKET: NONE

FINISH:  
 EXTERNAL PARTS: SILVER PLATE,  
 RHODIUM FLASH  
 CONTACT: SILVER PLATE, GOLD FLASH  
 PANEL  
 MAX THICKNESS: NONE

UNLESS OTHERWISE SPECIFIED DIMENSIONS ARE IN INCHES AND INCLUDE CHEMICALLY APPLIED OR PLATED FINISHES	REQ'D	ITEM	PART NUMBER	DESCRIPTION	SYM.
DECIMALS					
FRACTIONS					
.X ± .05 TOLS. 1/64					
.XX ± .01 ANGLES 0°-30'					
.XXX ± .005					
MATERIAL SEE NOTE					
FINISH SEE NOTE					
S401-70 (3944)					
<b>LIST OF MATERIAL</b>					
<b>THE TECHNICAL MATERIEL CORP.</b>					
MAMARONECK, NEW YORK					
CONNECTOR, RECEPTACLE N TO SOLDER CUP (SPECIAL)					
SIZE	CODE IDENT. NO.	DWG NO.	ISSUE		
A	82679	JJ 341	Ø		
SCALE		SHEET	OF		

A. MARTINENGO

FINAL APPROVAC *JJA* DATE

MECH. DES. *JJA* DATE

ELECT. DES. DATE

CHECKED *JJA* DATE

DRAWN *JJA* DATE

**NOTICE TO PERSONS RECEIVING THIS DRAWING**  
 THE TECHNICAL MATERIEL CORPORATION claims proprietary right in the material disclosed hereon. This drawing is issued in confidence for engineering information only and may not be reproduced or used to manufacture anything shown hereon without permission from THE TECHNICAL MATERIEL CORPORATION to the user. This drawing is loaned for mutual assistance and is subject to recall at any time.