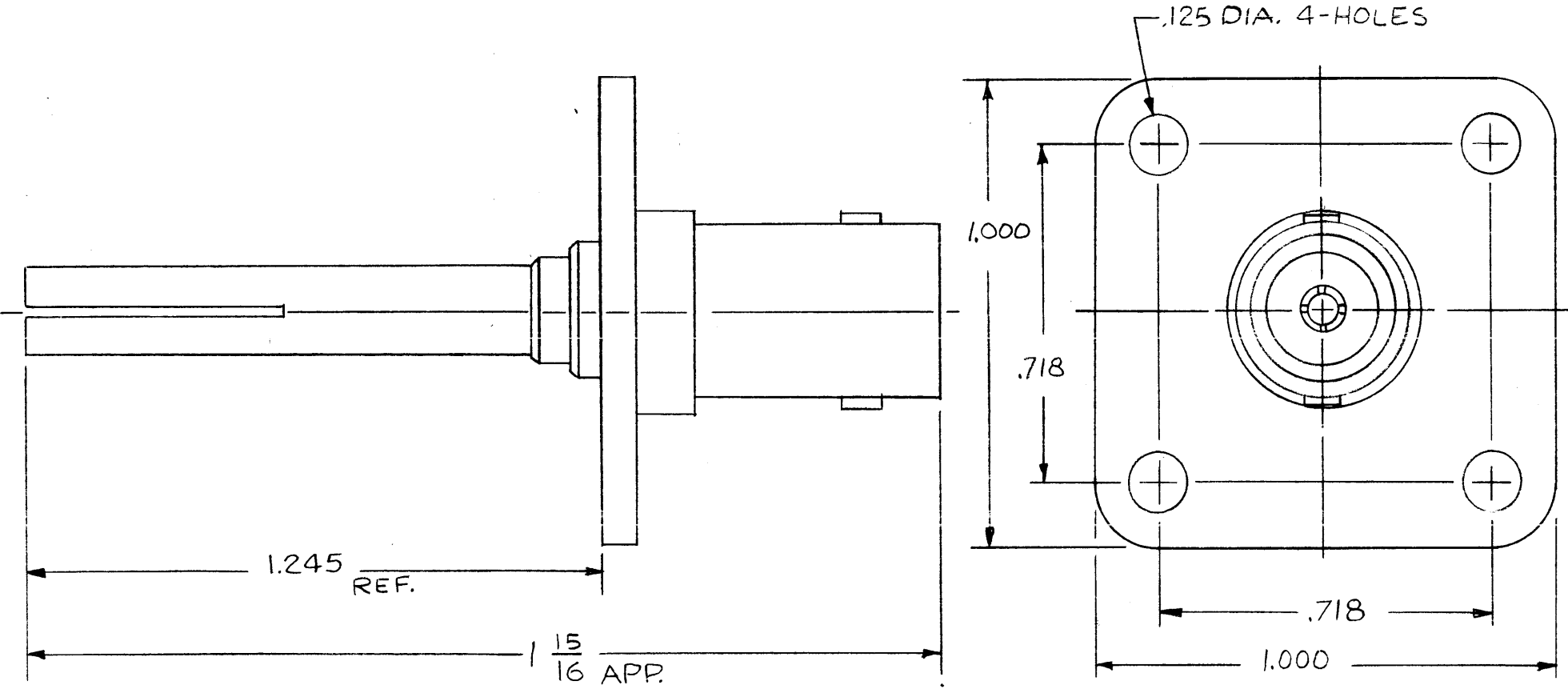


REVISIONS						
ZONE	LTR	DESCRIPTION	DATE	E.M.N.NO	DRAFT	CHKD APPD
	X	EXP. RELEASE	1/8/68	+	HS	<i>[Signature]</i>
	Ø	ORIG. RELEASE FOR PROD	1/25/67	Ø	C.V.	<i>[Signature]</i>



SPECIFICATIONS

SERIES - BNC-70
 NO. OF CONTACTS - ONE (1)
 TYPE OF CONTACT - FEMALE
 DIELECTRIC - TEFLON

ELECTRICAL DATA

MAX. PEAK OPR. VOLT - 500 V
 NOM. IMPEDANCE - 70 OHMS

MATING ACCOMODATIONS

TCA-85 / BNC

MATERIAL

EXT. PARTS - BRASS
 CONTACT - BERYLLIUM COPPER

FINISH

EXT. PARTS - SILVER PLATE & RHODIUM FLASH
 CONTACT - SILVER PLATE & GOLD FLASH

REQ'D	ITEM	PART NUMBER	DESCRIPTION	SYM.
-------	------	-------------	-------------	------

AL. MARTINENGO LIST OF MATERIAL

FINAL APPROVAL	DATE	THE TECHNICAL MATERIEL CORP. MAMARONECK, NEW YORK
MECH. DES.	DATE	
ELECT. DES.	DATE	

CHECKED DATE 1-23-68

DRAWN DATE 1/24/68

DATE 1/18/68

CONNECTOR, RECEPTACLE

—	TCA-85/BNC	
QTY / UNIT	MODEL USED ON	ASS'Y NO.
	APPLICATION	
	CODE	S401-70(3949)

NOTICE TO PERSONS RECEIVING THIS DRAWING
 THE TECHNICAL MATERIEL CORPORATION claims proprietary right in the material disclosed hereon. This drawing is issued in confidence for engineering information only and may not be reproduced or used to manufacture anything shown hereon without permission from THE TECHNICAL MATERIEL CORPORATION to the user. This drawing is loaned for mutual assistance and is subject to recall at any time.

MATERIAL
SEE SPECS

FINISH
SEE SPECS

SIZE	CODE IDENT. NO.	DWG NO.	ISSUE
B	82679	JJ 338	Ø

SCALE — SHEET OF